



Screw connection with rising cage clamp 0.5 to 150 mm²

- Standard DIN rail terminal blocks
- Duo DIN rail terminal blocks
- Multi-tier blocks
- Initiator/actuator blocks
- Measuring/disconnect blocks
- Fuse blocks
- Function blocks
- DIN rail terminal blocks with pluggable connection
- Miniature terminal blocks
- DIN rail terminal blocks for junction boxes
- High current blocks

selos according to US standard UL 94 V-0

- Elastic clamping body
- Rated cross section: 2.5 to 150 mm²
- Connection range: 0.5 to 185 mm²
- Universal foot

All Wieland Components which require **CE** general certification are **CE** certified, and identified with the **CE** logo.



Technical information

- The information regarding cross sectional area and connection types pertains to unprepared wires without ferrules. Ferrules are not necessary for secure connection.
- The voltage ratings apply to the terminals in their intended application. When different products are mounted adjacent to each other, the proper isolation distances must be adhered to.
- If the ground blocks of the **selos** product family are not used in block assemblies, but are mounted to the rail as single terminal blocks, end clamps have to be used.
- A detailed description of technical data, the standards requirements, and the application conditions are available under **facts** & DATA

ATEX regulation

- For the use of DIN rail terminal blocks in Ex areas, the regulations of EN 50014 apply; whereas for increased safety EExe the regulations of EN 50019 must be followed. For an approximation of the laws of the EU member states, directive 94/9/EG was created, which is generally known as ATEX 100a and which is the basis for harmonization in this field. ATEX stands for "atmosphere explosive" while 100a refers to the corresponding article of the EC contract.
- Directive ATEX 100a applies for protection against dust and gas explosions in all industrial Ex areas and in mining. The testing and certifying institutes named in directive ATEX 100a must follow accreditation procedures which are the same all over Europe.
- In accordance with EN 50014/50019 and ATEX 100a, these certifying institutes issue EC certificates for prototype tests. These prototype test certificates for components together with the corresponding quality system certification of the supplier are required to obtain the so-called ATEX approval.
- In combination with the **Ex** mark, the markings of the Wieland terminal blocks have the following meaning:

Ex	Identification
II	Device group
2	Category
G D	Areas
KEMA	Name of testing institute
ATEX...	Certificate, year of testing, number

Mounting instructions for EEx e applications

- If feed through blocks are mounted directly adjacent to feed through blocks of a different size, or directly adjacent to ground blocks, the open side of a group of the same type of blocks has to be covered by a partition.
- If adjacent terminal blocks are jumpered by a cross connector, the required isolation distances have to be maintained by inserting a partition between the different block groups, in front of or behind the cross-connected terminal block group.
- If the terminal blocks are mixed with other certified series and sizes and if their accessories are used, the required creepage distances and clearances must be adhered to.
- The DIN rail terminal blocks must be installed in a housing that meets the requirements of an approved protection type according to EN 50 014 sec.1.2 or EN 50 289-1. The housings must have protection degree IP54 or higher depending on the protection type selected.

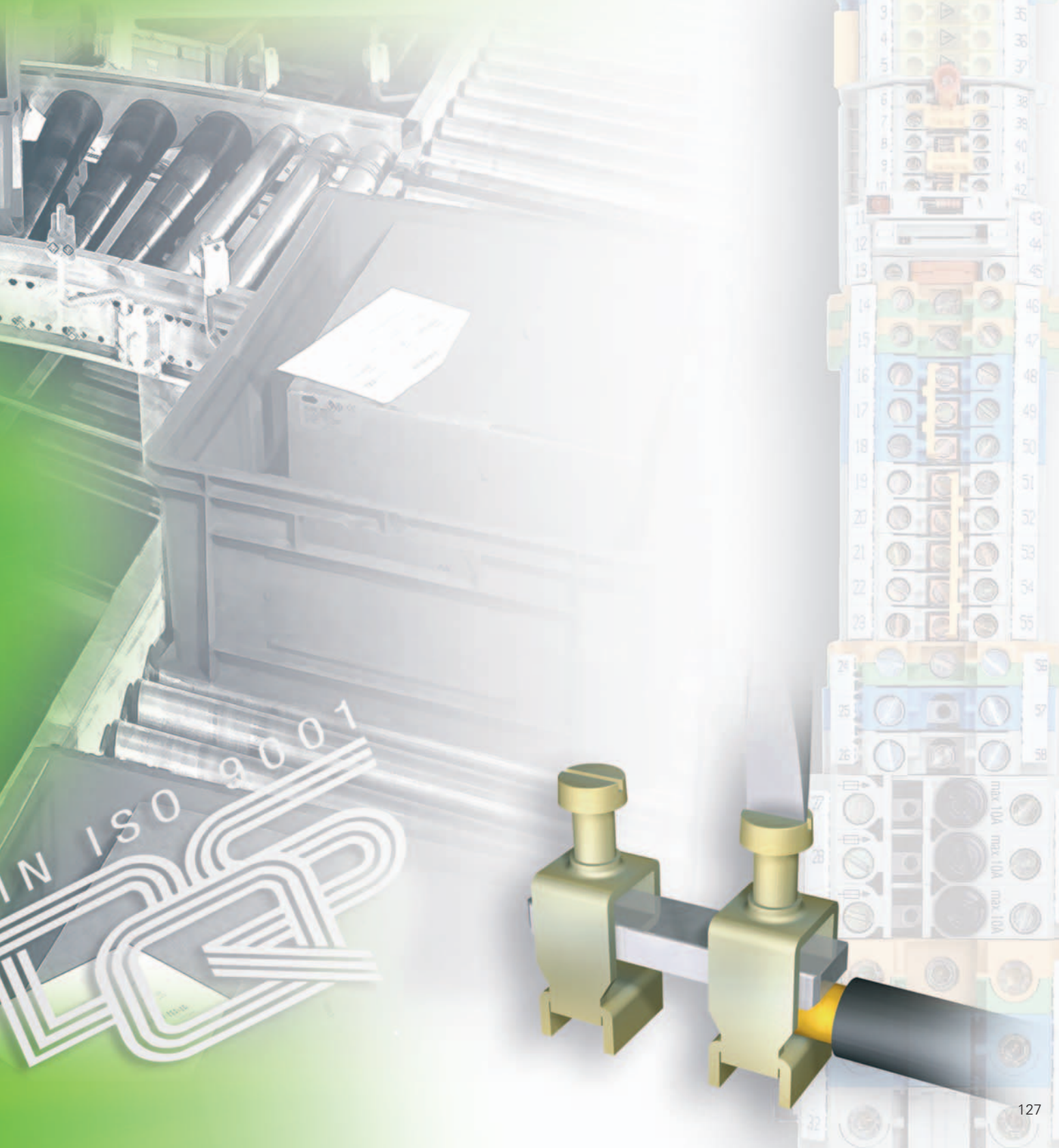
DQS certification for all company sectors

- Quality standard as per DIN ISO 9001 in Development, Production and Assembly
- Continued control of the quality standard by means of regular internal and external quality audits
- Compatible with certificates of other countries:
 - BSI Certificate, Great Britain
 - SQS Certificate, Switzerland
 - Aib-Vincotte Certificate, Belgium
 - ÖQS Certificate, Austria

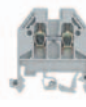


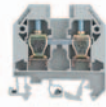
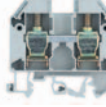
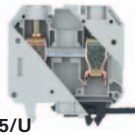
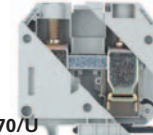




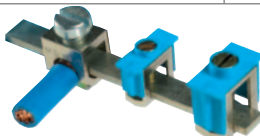
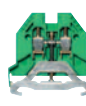




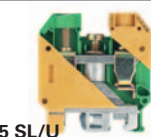



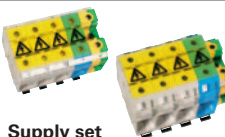














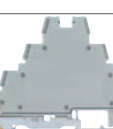







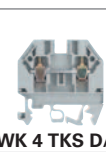





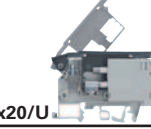
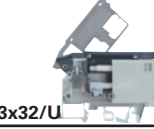
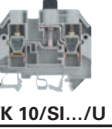
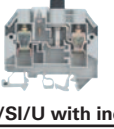

DIN Rail Terminal Blocks

selos

Screw Connection,
Type WKN

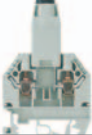












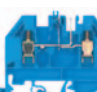
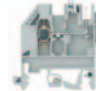

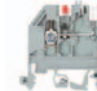







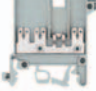
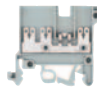
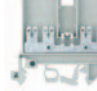
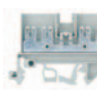

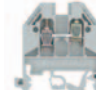











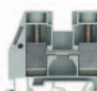
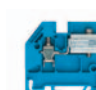





DIN rail terminal blocks with screw connection, type WKN

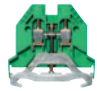

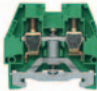
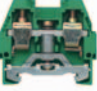


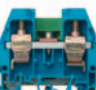
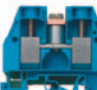















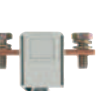






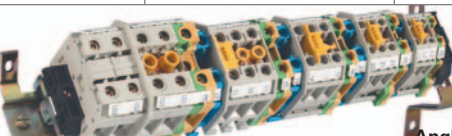




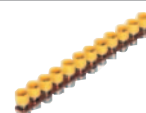




Page 138/139	 WKN 2,5/U	 WKN 4/U	 WKN 6/U	 WKN 10/U	 WKN 16/U
Page 140/141	 WKN 35/U	 WKN 70/U	 WKN 150/U		
Page 142/143	 WKN 4 ETK/U	 WKN 10 ETK/U	 WKN 16 ETK/U		WAK 16/2 BLAU, WAK 35/2 BLAU, WAK 35/2
Page 144/146	 WK 2,5 SL	 WK 4 SL	 WK 6 SL	 WKN 10 SL	 WKN 16 SL
Page 146/147	 WKN 35 SL/U	 WKN 70 SL/U	 9700 A/35 E S	 9700 A/70 E S	 Supply set
Page 148/149	 WK 4/D/1/2/U	 WK 4/D/2/2/U	 WK 4/D E/U	 WK 4/D/2/2SL/U	
Page 150/151	 WK 4 E/U	 WK 4 E/U/VB	 WK 4 E/U	 WK 4 E/rot	 WK 4 E SL/U
Page 152/153	 WKN 2,5 E/U	 WKN 2,5 E/U/VB			
Page 154/155	 WK 2,5-4 KI/U	 WK 2,5-3 D/U	 WK 2,5-4 KI/SL	 WK 2,5-3 D/SL	
Page 156/157	 WK 2,5-4 KOI/U	 WK 2,5-4 KOI/U-NGN	 WK 2,5-4 KOI/U-PGN		
Page 158/159	 WK 4 TKG... THSI 5x20	 WK 4 TKG... THSI 6,3x32	 WK 4/TKM	 WK 4 TKG-TRST/U	 WK 4 TKS D/U
Page 160/161	 WK 4 TKG... SIST	 WK 4 TKG... DIST	 WK 4/TKM	 WK 4 TKG-TRST/U	 WK 4 TKS D/U
Page 162/163	 WK 4 THSI 5x20/U	 WK 4 THSI 6,3x32/U	 WK 10/SI.../U	 WK 10/SI/U with indicator	 WK 10/SI/U D

DIN rail terminal blocks with screw connection, type WKN

selos


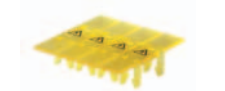









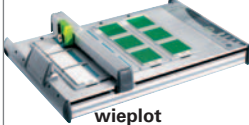





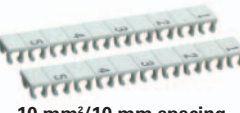
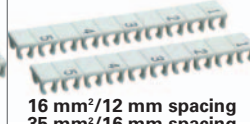

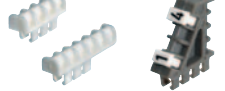


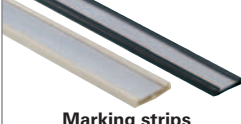



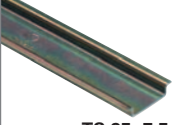
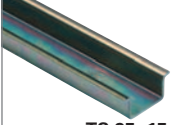
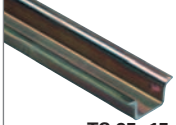

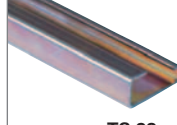



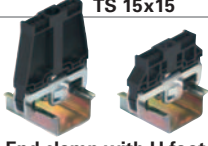

Page 164/165	 WK 4/Si-D/U 5 x 25				
Page 166/167	 9700 B/30 Si E 14/S 35	 9700 B/30 Si E 18/S 35	 9700 B/30 Si E 14/S 32	 9700 B/30 Si E 18/S 32	
Page 168/169	 9785 U/...	 9785 U/... - SPT	 9786 U/12		
Page 170/171		 9786 U/TSK...	 9760 U/8 TKE...		
Page 172/173	 WK 2,5 U/D/8113 S/V	 WK 2,5 U/D/8113 S/V/LED 25	 WK 2,5 U/D/8113 S/V/LED 50	 WK 2,5 U/D/8113 S/V/VK	
Page 174/176	 WK 2,5 U/8113 S/V	 WK 2,5 U/8113 S/V/LED 25	 WK 2,5 U/8113 S/V/LED 50	 WK 2,5 U/8113 S/V/VK	 WK 2,5 U/D/8113 S/H
Page 176/177	 WK 4 3-6 S 1 K/U	 WK 4 5 S 2,8 1 K/U	 WK 4-3-6 S 1 K/IW/U	 WK 4-5 S 2,8 1 K/IW/U	 WK/5-10 S/U
Page 178/179	 WK/3-6 S/IW/U	 WK/3-6 S/U	 WK/4-8 S/IW/U	 WK/4-8 S/U	 WK/3-6 S KO/U
Page 180/181	 WK 4/U F1	 WK 4/U F2			
Page 182/183	 WKM 2,5 F1/15	 WKM 2,5 F2/15	 WKM 2,5/15	 WKM 4/15	 WKM 4 SL/15
Page 186/187	 WK6 TK/35	 WK6 TK P3/35			
Page 190/191	 WK 4/U	 WKI 10/U	 WKI 16/U	 WKI 35/U	
Page 192/193	 WKN 4 ETK/U	 WKI 10 ETK/U	 WKI 16 ETK/U	 WAK 16/2 BLAU, WAK 35/2 BLAU, WAK 35/2	

DIN rail terminal blocks with screw connection, type WKN

Page 194/195	 WK 2,5 SL/35	 WK 4 SL/35	 WKI 10 SL/35	 WKI 16 SL/35	 WKI 35 SL/35
Page 196/197	 WKI 10 PEN/35	 WKI 16 PEN/35	 WKI 35 PEN/35		
Page 202/203	 WKI 4 DU	 WKI 4 D-D	 WKI 4 D-D-SL	 WKI 4 N-D-SL	 WKI 4 NT-D-SL (-GL)
Page 204/205	 WKI 4 NTN-D-SL	 WKI 4 TKG-D-SL			
Page 208/209	 BK M 6/32	 BK M 8/32	 BK M 10/32		
Page 210/211	 BK M 6/35	 BK M 8/35	 BK M 10/35	 BK M 12/35	
Page 212/213	 RFK 1/95... S35	 RFK 1/95... PA	 RFK 1/150... S35	 RFK 1/150... PA	
Page 214/215	 RFK 1/185... S35	 RFK 1/185... PA	 RFK 1/240... S35	 RFK 1/240... PA	
Page 216/217	 Angled support bracket			 Jumper bars, uninsulated	
Page 218/219	 Jumper bars, insulated				 Selectable connecting link
Page 220/221	 Cross connectors, insulated			 Cross connectors	
Page 222/223	 Cross connectors, uninsulated				
Page 224/225	 Single cover for cross connectors			 Partition plate	 Partition

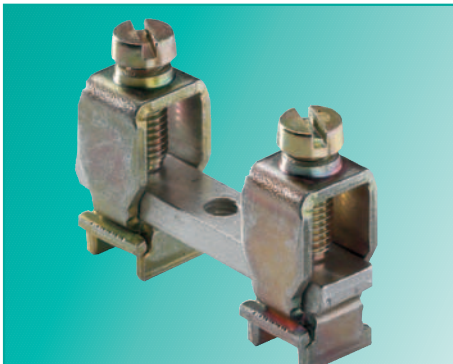
DIN rail terminal blocks with screw connection, type WKN

wieland

<p>Page 226/227</p>	 <p>Cover over 10 blocks</p>	 <p>Cover strips with warning symbol</p>	 <p>Cover</p>	 <p>Rapid mounting tool</p>	 <p>Insulating sleeves</p>
<p>Page 228/229</p>	 <p>Test plug/ring lugs</p>	 <p>Short-circuit plug</p>	 <p>Test plug</p>	 <p>Test plug</p>	
<p>Page 230/231</p>	 <p>wieplan</p>	 <p>wiemarc</p>	 <p>wieplot</p>		 <p>marcom</p>
<p>Page 232/233</p>	 <p>2.5 mm²/5 mm spacing</p>	 <p>4 mm²/6 mm spacing</p>	 <p>6 mm²/8 mm spacing</p>	 <p>10 mm²/10 mm spacing</p>	 <p>16 mm²/12 mm spacing 35 mm²/16 mm spacing</p>
<p>Page 234/235</p>	 <p>Marking tags</p>	 <p>Marking tag carrier</p>	 <p>Tear-off marking strips with 10 marking tags each</p>		
<p>Page 236/237</p>	 <p>Marking tags</p>	 <p>Marking strips</p>	 <p>Marking tag</p>	 <p>Marking tag</p>	 <p>Marking tag</p>
<p>Page 238/239</p>	 <p>TS 35x7,5</p>	 <p>TS 35x15</p>	 <p>TS 35x15</p>	 <p>TS 15x15</p>	 <p>TS 32</p>
<p>Page 240/241</p>	 <p>End clamp for TS 35</p>	 <p>End clamp for TS 35</p>	 <p>End clamp for TS 35</p>	 <p>End clamp with U foot</p>	 <p>End clamp for TS 15</p>

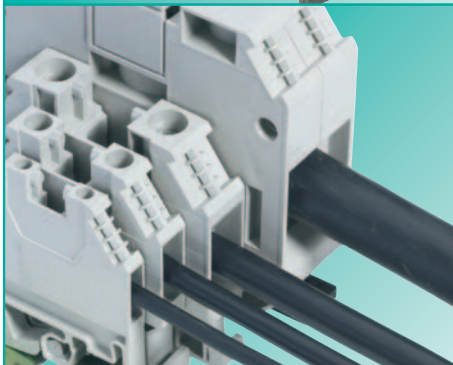
DIN rail terminal blocks with screw connection, type WKN

selos

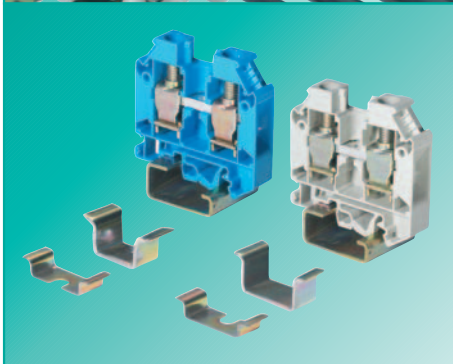


WKN provides ...

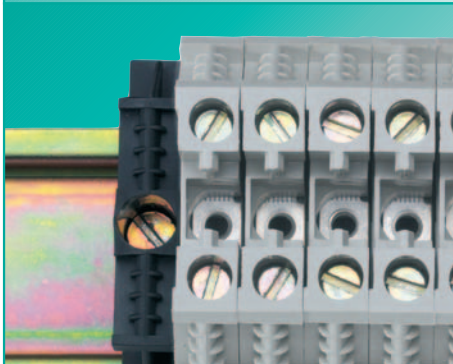
- Rising cage clamp technology
- Elastic clamping body
- One piece threaded collar



- Rated cross section**
2.5 – 150 mm²
12 AWG – 350 MCM
- Connection range**
0.5 – 185 mm²
24 AWG – 350 MCM



- Universal foot** for
 - TS35 according to DIN 60715
 - TS32 according to DIN 60715
- Terminal is centered on the rail



- Guided screwdriver access



- 4-sided **Funneled wire entry**

- The terminal blocks are delivered with the **clamping body** in the open position

Application advantages

- Low contact resistance due to large surface area
- High and stable contact force
- Vibration proof contact** – low maintenance
- Guaranteed functionality**, even after repeated tightening and loosening of the screws

- Solid, fine-stranded and stranded wires can be connected to the WKN terminal blocks **without the use of ferrules**
- If ferrules are used, the rated cross section does not have to be reduced.
- Step by step and overlapping cross sectional areas allow efficient selection of terminal blocks

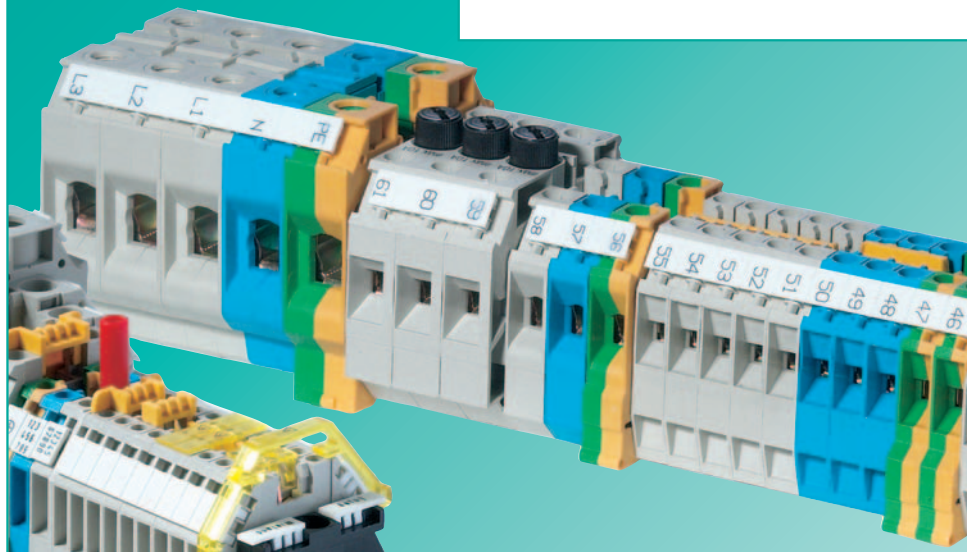
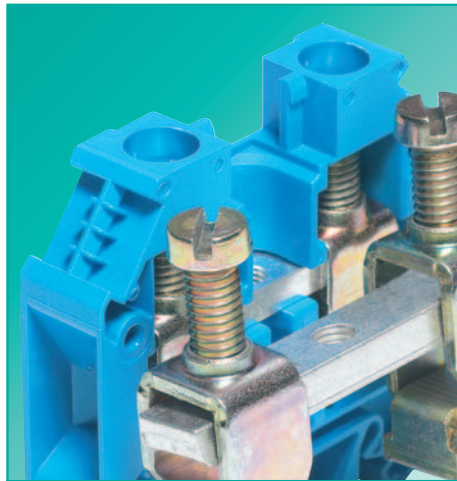
- One terminal for all common mounting rails
- Error-free mounting foot provides clear identification of incorrectly mounted terminals

- **Mounting safety**
- When pneumatic or electric screwdrivers are used, the screwdriver guide prevents the blade from slipping off of the screw head

- **Safe and rapid installation of the wire**
- Stranded and fine-stranded wires can easily be inserted in the terminal block even without ferrules

- Reduces installation time

DIN rail terminal blocks with screw connection, type WKN



☐ Captive hardware

- The clamping screws are securely **captive** within the insulating housing.
- Tapered plastic fins in the screw turret grip the screw head to ensure a **secure connection**
- The screw design prevents the screw from coming out of the clamping body. Turning the screwdriver counter clockwise will cause the screw to spin in the idle position. This guarantees **safe installation** when using pneumatic or electric screwdrivers

Material

- ☐ Special alloys and surface treatment
- ☐ Low contact resistance
- ☐ High resistance to corrosion

Metal parts:

- ☐ Current carrying bar: tin plated; brass or copper
- ☐ Clamping body and clamping screws: steel, zinc-plated and dichromated

Insulating housing:

- ☐ Use of Polyamide 66/6 for its excellent chemical and mechanical properties (for more information see section **facts & DATA**)
- ☐ Material according to US standard UL 94-V0

Accessories:

- ☐ Stamped components: bright copper
- ☐ Test bolts and selectable connecting links: galvanized copper alloy

DQS certificates for all product families

- ☐ Quality standard as per DIN ISO 9001
- ☐ In Development, Production, Assembly
- ☐ Continued control of the quality standard by means of regular internal and external quality audits
- ☐ Compatible with certificates of other countries:
 - BSI Certificate, Great Britain
 - SQS Certificate, Switzerland
 - Aib-Vincotte Certificate, Belgium
 - ÖQS Certificate, Austria

Various German and international approvals are available for feed-through terminal blocks. They are indicated in detail on the corresponding product pages. The feed-through blocks of series WK/WKN are approved for the increased-safety type of protection Eex "e" according to DIN EN 50019/VDE 0170/0171 part 6 where indicated. No type test is required for the Eex "i" type of protection.

Note:

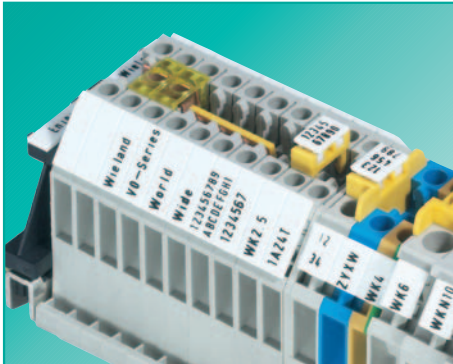
The information regarding cross sectional area and connection types pertains to unprepared wires without ferrules.

The voltage ratings apply to the terminals in their intended application. When different products are mounted adjacent to each other, the proper isolation distances must be adhered to. For this purpose, **Wieland** offers a large selection of appropriate accessories.

A detailed description of technical data, the standards' requirements, and the application conditions can be found in part **facts & DATA**.

DIN rail terminal blocks with screw connection, type WKN

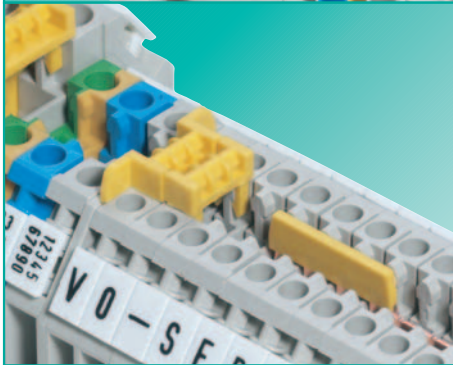
selos



Marking accessories

- Single marking tags to match the terminal block spacing
- Snap-on marking strips (10 individual marking tags per strip) for rapid marking
- Tear-off marking strips marking up to 3-digits per terminal block

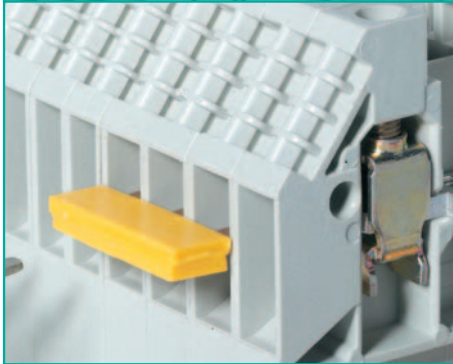
- Custom marking upon request



Cross connection (jumping)

- Potential commoning can be achieved by means of cross connectors (jumpers) or jumper bars
- Number of poles: 2 to 6; cut-to-order strips available in up to approx. 45 cm in any pole configuration required

- Cross connectors** (jumpers) are mounted in the center thread of the current carrying bar
- They are preassembled for easy installation and the screws are secured against accidental loosening.



- Number of poles: 2 to 12; with cut-to-order strips higher pole configurations can be achieved

- In order to keep the rated voltage, end plates, partitions or partition plates must be used
- Terminal blocks of different potentials must be mounted in partitioned order
- When using **jumper combs** you must insert the comb and the wire together in to the clamping body
- AWG must be reduced to the next size when using jumper combs
- All insulated cross connectors IVB WK... and insulated jumper combs IVK WK... are protected against accidental contact according to VBG 4



Cover with warning symbol

- Cover with warning symbol to snap on to blocks which remain live when the main switch is disconnected (VDE 0113)

- The cover can only be removed with a screwdriver

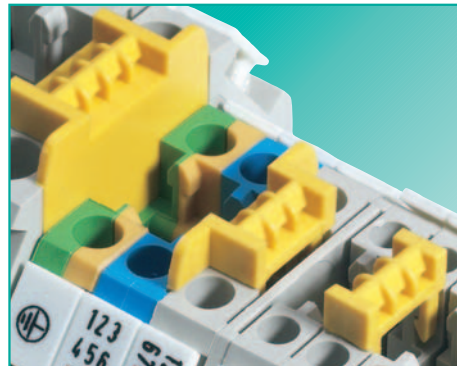


Partition plates

- Full rated voltage is maintained when using partition plate with cross connectors (jumpers)

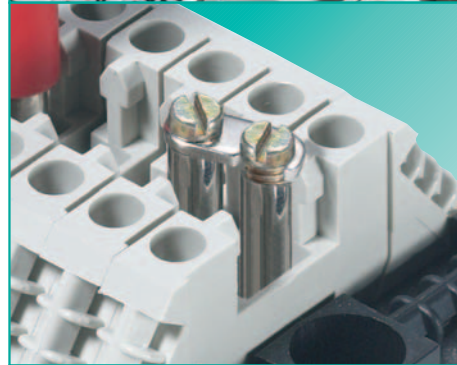
- Can be installed post assembly
- The partition plates can only be removed with a screwdriver
- The cross connector covers protect the user against accidental contact
- Various marking options are available with the standard Wieland marking system

DIN rail terminal blocks with screw connection, type WKN



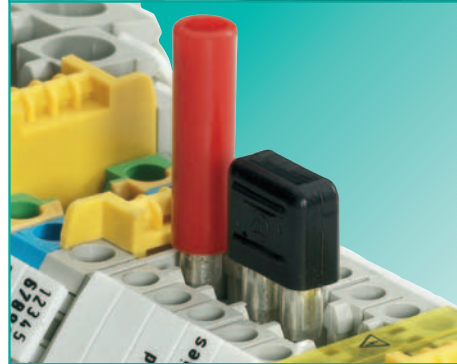
Protection against accidental contact for cross connectors

In addition to the partition plates you can use covers to protect the uninsulated cross connectors against accidental contact. They snap on tight and can be marked with the **Wieland** marking accessories.



Selectable connecting links

- Shorts two terminals together and provides a disconnectable connection
- Mounted to the center thread of the current carrying bar on the terminal blocks



Test sockets

- Ring lugs for test plugs and cross connector plugs are mounted on the center thread of the current carrying bar on the terminal blocks

Test plugs

Short-circuit plug

- Test plugs with locking levers can be snapped together in any pole configuration



Partition plates

End plates

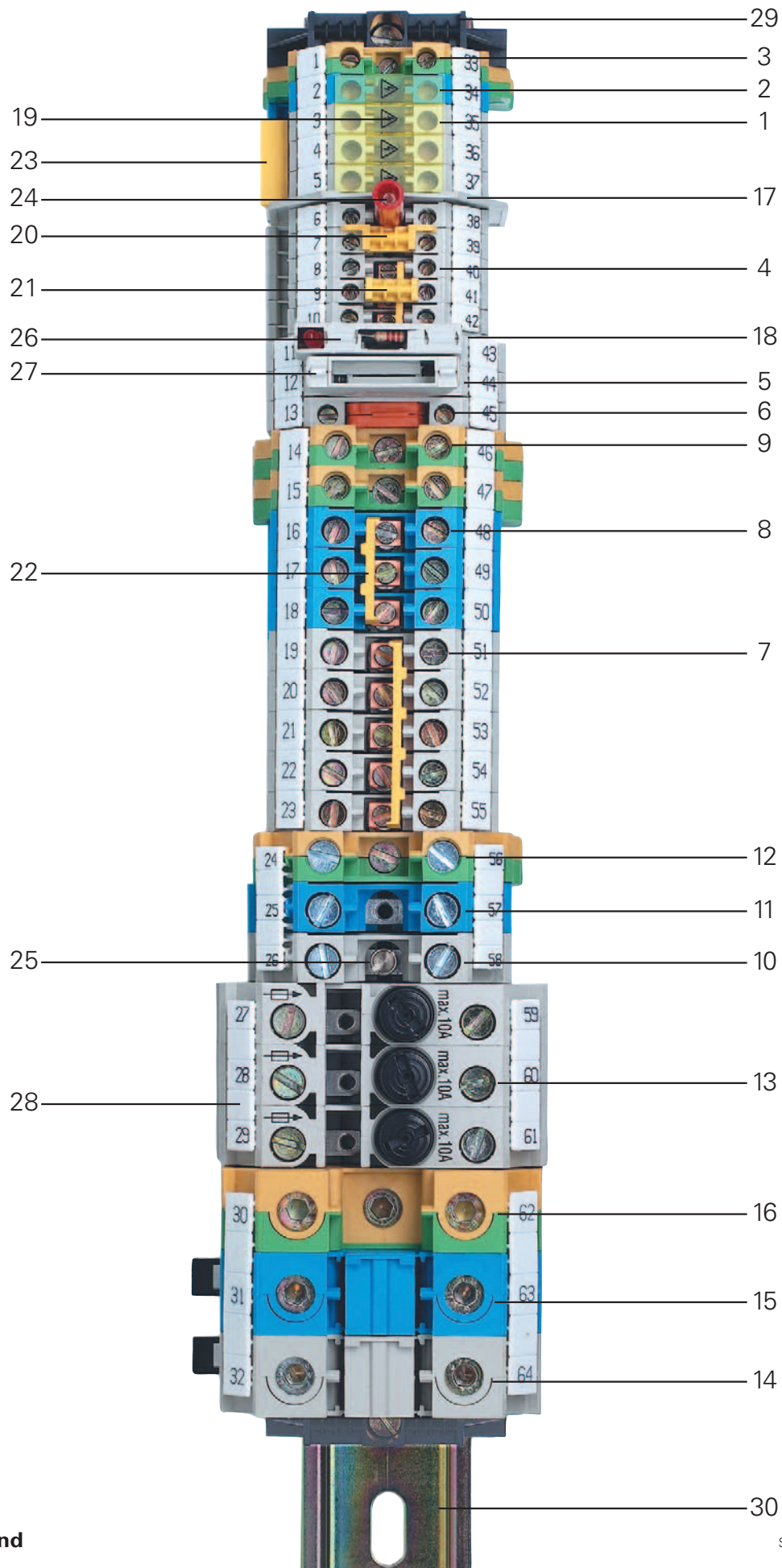
- Partition plates visually separate different terminal block groups, and are required to keep the air and creepage distances when cross connectors of different potentials are mounted adjacent to each other
- For safety reasons the partitions are constructed in a way that they can only be removed together with the neighboring terminal block



You can use our **wieplan** software to design your own terminal block assemblies (see page 36/37).

DIN rail terminal blocks
with screw connection, type **WKN**

selos 105



DIN rail terminal blocks with screw connection, type *WKN*

setos

Item	Description	Type	Part number
1	Feed-through block	WK 4/U	57.504.0055.0
2	Feed-through block, blue	WK 4/U BLAU	57.504.0055.6
3	Ground block	WK 4 SL/U	57.504.9055.0
4	Feed-through block	WK 2,5/U	57.503.0055.0
5	Disconnect block	WK 4 TKG/U	57.504.4055.0
6	Knife edge disconnect block	WK 4 TKM/U	57.504.2055.0
7	Feed-through block	WK 6/U	57.506.0055.0
8	Feed-through block, blue	WK 6/U BLAU	57.506.0055.6
9	Ground block	WK 6 SL/U	57.506.9055.0
10	Feed-through block	WKN 10/U	57.510.0155.0
11	Feed-through block, blue	WKN 10/U BLAU	57.510.0155.6
12	Ground block	WKN 10 SL/U	57.510.9055.0
13	Fuse block	WK 10 SI/U 5x20	57.910.5055.0
14	Feed-through block	WKN 35/U	57.535.0155.0
15	Feed-through block, blue	WKN 35/U BLAU	57.535.0155.6
16	Ground block	WKN 35/U	57.535.9055.0
17	Partition	TW 2,5-4	07.311.1155.0
18	End plate	AP 2,5-4	07.311.0155.0
19	Cover strip with warning symbol over 4 blocks	AD VB 6/4 GELB	04.343.4856.8
20	Partition plate, yellow	TS 2,5 GELB	07.311.2053.8
21	Single cover for cross conn. with mark. facil.	AD VB 2,5 GELB	04.326.2053.8
22	Cross connector with screws, insulated	IVB WK 6-3	Z7.282.2327.0
23	Jumper comb, insulated	IVB 0,5 WK 4-3	Z7.255.0327.0
24	Test plug	ST 2/2,3	Z5.553.2921.0
25	Ring lug for test plug	9011B	05.508.3221.0
26	Fuse holder with indicator	SIST LED	Z1.299.4155.0
27	Diode plug, without contacts	DIST	Z1.299.3155.0
28	Marking strip	9705 A/8/10 B	04.842.0153.0
29	End clamp with U-foot	WE 1/U	Z5.523.5753.0
30	Mounting rail	35 x 27 x 7,5 slotted	98.300.0000.0

Feed-through blocks type WK/WKN

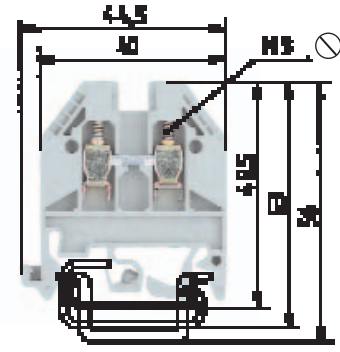
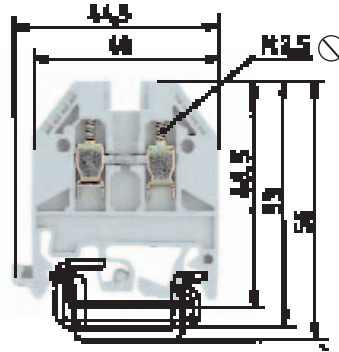
selosIOS

UL wire connection variations

⁴⁾ or 2x no. 14 sol/str AWG
or 2x no. 16 sol/str AWG
or 2x no. 18 sol/str AWG
or 3x no. 20 sol/str AWG or 3x no. 22 sol/str AWG

⁵⁾ or 2x no. 12 sol/str AWG
or 2x no. 16 sol/str AWG
or 3x no. 18 sol/str AWG or 3x no. 22 sol/str AWG

⁶⁾ or 2x no. 12 sol/str AWG
or 2x no. 14 sol/str AWG
or 3x no. 16 sol/str AWG



0344 II 2GD

EEx ell

EN 60 947-7-1/DIN VDE 0611 T1

UL ratings field/factory wiring

CSA ratings

KEMA 01 ATEX 2114 U¹⁾ EN 50019/EN 50014

Width Wire strip length

Approvals

WK 2,5/U

fine-stranded	solid	V	A
0.5 – 2.5 mm ²	0.5 – 4 mm ²	800 V/8 kV/3	24
No. 22-12 AWG		600 V	20/30
No. 24-12 AWG		600 V	25
0.5 – 2.5 mm ²	0.5 – 4 mm ²	750 V	23
5 mm			9 mm



WK 4/U

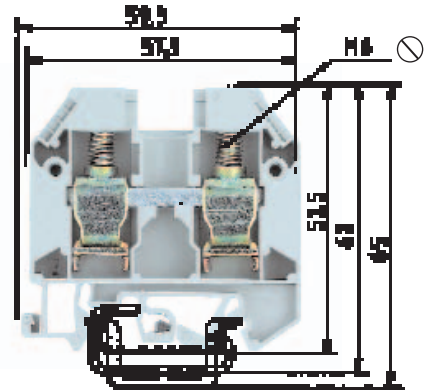
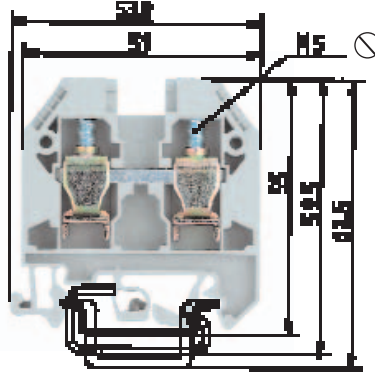
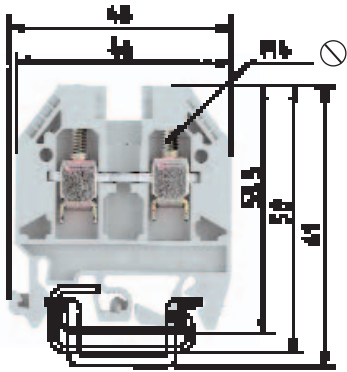
fine-stranded	solid	V	A
0.5 – 4 mm ²	0.5 – 6 mm ²	800 V/8 kV/3	32
No. 22-10 AWG ⁴⁾		600 V	30/35
No. 20-10 AWG		600 V	40
0.5 – 4 mm ²	0.5 – 6 mm ²	750 V	14/27 ³⁾
6 mm			9 mm



	Type	Part No.	Std. Pack	Type	Part No.	Std. Pack
Feed-through block gray	WK 2,5/U	57.503.0055.0	100	WK 4/U	57.504.0055.0	100
Feed-through block EEx i blue	WK 2,5/U BLAU	57.503.0055.6	100	WK 4/U BLAU	57.504.0055.6	100
Accessories						
1. Mounting rail TS 35, DIN rail 7.5 mm high L = 2 m	35 x 27 x 7,5 EN 60715	98.300.0000.0	1	35 x 27 x 7,5 EN 60715	98.300.0000.0	1
Mounting rail TS 35, DIN rail, 15 mm high L = 2 m	35 x 24 x 15 EN 60715	98.360.0000.0	1	35 x 24 x 15 EN 60715	98.360.0000.0	1
Mounting rail TS 32, G rail ²⁾ L = 2 m	9006 EN 60715 G-32	98.190.0000.0	1	9006 EN 60715 G-32	98.190.0000.0	1
2. End clamp with U-foot ²⁾ 10 mm wide	WE 1/U	Z5.523.5753.0	100	WE 1/U	Z5.523.5753.0	100
End clamp TS 35, with screw 8 mm wide	9708/2 S35	Z5.522.8553.0	100	9708/2 S35	Z5.522.8553.0	100
End clamp TS 32, with screw ²⁾ 7.5 mm wide	9708	Z5.522.7053.0	100	9708	Z5.522.7053.0	100
3. End plate, 1.5 mm thick gray	AP 2,5 - 4	07.311.0155.0	10	AP 2,5 - 4	07.311.0155.0	10
blue	AP 2,5 - 4 BLAU	07.311.0155.6	10	AP 2,5 - 4 BLAU	07.311.0155.6	10
End plate, 2 mm thick gray						
blue						
4. Partition, 1.5 mm thick gray	TW 2,5 - 4	07.311.1155.0	10	TW 2,5 - 4	07.311.1155.0	10
blue	TW 2,5 - 4 BLAU	07.311.1155.6	10	TW 2,5 - 4 BLAU	07.311.1155.6	10
Partition, 2 mm thick gray						
blue						
Partition, 3 mm thick gray						
blue						
5. Cross connector with screws, E-Cu insulated (jumper) 2 pole	IVB WK 2,5 - 2	Z7.280.2227.0	10	IVB WK 4 - 2	Z7.281.1227.0	10
3 pole	IVB WK 2,5 - 3	Z7.280.2327.0	10	IVB WK 4 - 3	Z7.281.1327.0	10
to 12 pole	IVB WK 2,5 - 12	Z7.280.3227.0	10	IVB WK 4 - 12	Z7.281.2227.0	10
6. Single cover for cross conn. with mark.facility	AD VB 2,5 GELB	04.326.2053.8	10	AD VB 4 GELB	04.326.2153.8	10
7. Partition plate with marking facility	TS 2,5 GELB	07.311.2053.8	10	TS 4 GELB	07.311.2153.8	10
Partition plate with cover						
8. Cover strip for cross conn. over 10 blocks with test hole	AD VB 5/10 P GELB	04.342.3556.8	10	AD VB 6/10 P GELB	04.342.3656.8	10
Cover strip with warning symbol over 4 blocks	AD VB 5/4 GELB	04.343.4756.8	10	AD VB 6/4 GELB	04.343.4856.8	10
For more accessories see pages 216-229 and 238-243	*) For maintaining the proper isolation distances, the open side of a feed-through terminal block as well as both sides of a jumper are to be covered by partitions.					
For marking systems see pages 230-237	¹⁾ Please note the mounting instructions on page 126. ²⁾ Do not use in Ex environments. ³⁾ with/without jumper					

Feed-through blocks type WK/WKN

selos



WK 6/U

fine-stranded	solid	V	A
0.5 – 6 mm ²	0.5 – 10 mm ²	800 V/8 kV/3	41
No. 22-8 AWG ⁵⁾		600 V	50/50
No. 20-8 AWG		600 V	45
0.5 – 6 mm ²	0.5 – 10 mm ²	750 V	35/38 ³⁾
8 mm			11 mm



WKN 10/U

fine-stranded	solid/stranded	V	A
2.5 – 10 mm ²	1.5 – 16 mm ²	800 V/8 kV/3	57
No. 16-6 AWG ⁶⁾		600 V	65/65
No. 16-6 AWG		600 V	70
2.5 – 10 mm ²	1.5 – 16 mm ²	750 V	43/56 ³⁾
10 mm			13 mm



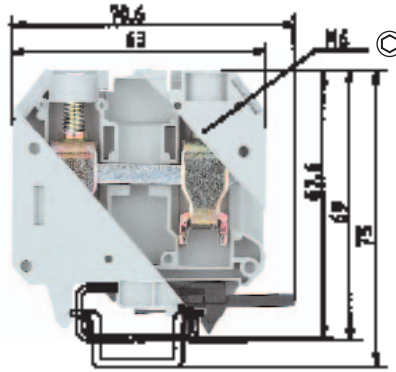
WKN 16/U

fine-stranded	solid/stranded	V	A
4 – 16 mm ²	1.5 – 25 mm ²	800 V/8 kV/3	71
No. 12-4 AWG		600 V	85/90
No. 14-4 AWG		600 V	95
4 – 16 mm ²	1.5 – 25 mm ²	750 V*	61/71 ³⁾
12 mm			15 mm

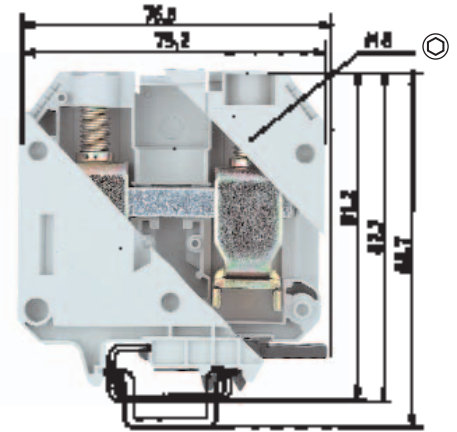


Type	Part No.	Std. Pack	Type	Part No.	Std. Pack	Type	Part No.	Std. Pack
WK 6/U	57.506.0055.0	100	WKN 10/U	57.510.0155.0	50	WKN 16/U	57.516.0155.0	50
WK 6/U BLAU	57.506.0055.6	100	WKN 10/U BLAU	57.510.0155.6	50	WKN 16/U BLAU	57.516.0155.6	50
35 x 27 x 7,5 EN 60715	98.300.0000.0	1	35 x 27 x 7,5 EN 60715	98.300.0000.0	1	35 x 27 x 7,5 EN 60715	98.300.0000.0	1
35 x 24 x 15 EN 60715	98.360.0000.0	1	35 x 24 x 15 EN 60715	98.360.0000.0	1	35 x 24 x 15 EN 60715	98.360.0000.0	1
9006 EN 60715 G-32	98.190.0000.0	1	9006 EN 60715 G-32	98.190.0000.0	1	9006 EN 60715 G-32	98.190.0000.0	1
WE 1/U	Z5.523.5753.0	100	WE 1/U	Z5.523.5753.0	100	WE 1/U	Z5.523.5753.0	100
9708/2 S35	Z5.522.8553.0	100	9708/2 S35	Z5.522.8553.0	100	9708/2 S 35	Z5.522.8553.0	100
9708	Z5.522.7053.0	100	9708	Z5.522.7053.0	100	9708	Z5.522.7053.0	100
AP 6	07.311.0255.0	10	APN 10	07.311.6655.0	10			
AP 6 BLAU	07.311.0255.6	10	APN 10 BLAU	07.311.6655.6	10	APN 16	07.311.6755.0	10
						APN 16 BLAU	07.311.6755.6	10
TW 6	07.311.1255.0	10	TWN 10	07.311.7655.0	10			
TW 6 BLAU	07.311.1255.6	10	TWN 10 BLAU	07.311.7655.6	10	TWN 16	07.311.7755.0	10
						TWN 16 BLAU	07.311.7755.6	10
IVB WK 6 - 2	Z7.282.2227.0	10	IVB WKN 10 - 2	Z7.283.2227.0	10	IVB WKN 16 - 2	Z7.284.2227.0	10
IVB WK 6 - 3	Z7.282.2327.0	10	IVB WKN 10 - 3	Z7.283.2327.0	10	IVB WKN 16 - 3	Z7.284.2327.0	10
IVB WK 6 - 12	Z7.282.3227.0	10	IVB WKN 10 - 12	Z7.283.3227.0	10	IVB WKN 16 - 12	Z7.284.3227.0	10
AD VB 6 GELB	04.326.2253.8	10	AD VB 10 GELB	04.326.2353.8	10	TSN 16 GELB	07.311.8453.8	10
TS 6 GELB	07.311.2253.8	10	TS 10 GELB	07.311.2353.8	10	TSN AD 16 GELB	07.311.8553.8	10
AD VB 8/10 P GELB	04.342.3856.8	10	AD VB 10/10 P GELB	04.342.4056.8	10			
AD VB 8/4 GELB	04.343.4956.8	10	AD VB 10/4 GELB	04.343.5056.8	10	AD VB 12/4 GELB	04.343.5156.8	10

Feed-through blocks type **WKN** **selos**



enclosed design



enclosed design

0344 II 2GD
 EEx eII
 EN 60 947-7-1/DIN VDE 0611 T1
 UL ratings field/factory wiring
 CSA ratings
 KEMA 01 ATEX 2114 U¹⁾ EN 50019/EN 50014
 Width Wire strip length
 Approvals

WKN 35/U

fine-stranded	stranded	V	A
10–35 mm ²	10–50 mm ²	800 V/8 kV/3	124
No. 10-1/0 AWG		600 V	150
No. 12-2 AWG		600 V	110
10–35 mm ²	10–50 mm ²	750 V*	86/124 ³⁾
16 mm			18 mm

WKN 70/U

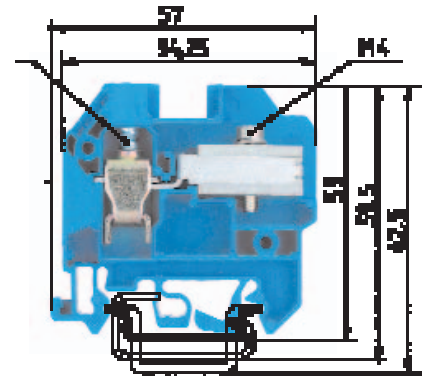
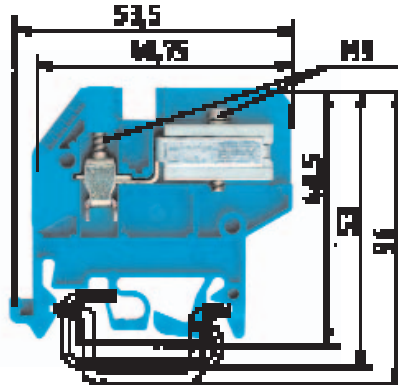
fine-stranded	stranded	V	A
10–70 mm ²	16–95 mm ²	800 V/8 kV/3	179
No. 6-2/0 AWG		600 V	175/175
No. 6-2/0 AWG		600 V	170
10–70 mm ²	16–95 mm ²	750 V	179/179 ³⁾
24 mm			24 mm

	Type	Part No.	Std. Pack	Type	Part No.	Std. Pack
Feed-through block	gray	WKN 35/U	57.535.0155.0 20	WKN 70/U	57.570.0155.0 20	
Feed-through block EEx i	blue	WKN 35/U BLAU	57.535.0155.6 20	WKN 70/U BLAU	57.570.0155.6 20	
Accessories						
1. Mounting rail TS 35, DIN rail 7.5 mm high L = 2 m	35 x 27 x 7,5 EN 60715	98.300.0000.0	1	35 x 27 x 7,5 EN 60715	98.300.0000.0	1
Mounting rail TS 35, DIN rail, 15 mm high L = 2 m	35 x 24 x 15 EN 60715	98.360.0000.0	1	35 x 24 x 15 EN 60715	98.360.0000.0	1
Mounting rail TS 32, G rail ²⁾ L = 2 m	9006 EN 60715 G-32	98.190.0000.0	1	9006 EN 60715 G-32	98.190.0000.0	1
2. End clamp with U-foot ²⁾ 10 mm wide	WE 2/U	Z5.523.5653.0	100	WE 2/U	Z5.523.5653.0	100
End clamp TS 35, with screw 8 mm wide	9708/2 S 35	Z5.522.8553.0	100	9708/2 S 35	Z5.522.8553.0	100
End clamp TS 32, with screw ²⁾ 7.5 mm wide	9708	Z5.522.7053.0	100	9708	Z5.522.7053.0	100
3. End plate, 1.5 mm thick	gray					
	blue					
End plate, 2 mm thick	gray					
	blue					
4. Partition, 1.5 mm thick	gray					
	blue					
Partition, 2 mm thick	gray	TWN 35	07.311.7855.0 10			
	blue	TWN 35 BLAU	07.311.7855.6 10			
Partition, 3 mm thick	gray			TWN 70	07.311.7955.0 10	
	blue			TWN 70 BLAU	07.311.7955.6 10	
5. Cross connector with screws, E-Cu insulated (jumper)	2 pole	IVB WKN 35 - 2	Z7.285.2227.0 5	jumper bars uninsulated see page 222		
	3 pole	IVB WKN 35 - 3	Z7.285.2327.0 5			
	to 12 pole	IVB WKN 35 - 12	Z7.285.3227.0 5			
6. Single cover for cross conn. with mark.facility		AD VB 35 GELB	04.326.2553.8 10	AD VB 70 GELB	04.326.2653.8 10	
7. Partition plate with marking facility						
Partition plate with cover						
8. Cover strip for cross conn. over 10 blocks						
Cover strip with warning symbol over 4 blocks		AD VB 16/4 GELB	04.343.5256.8 10	AD VB 24/4 GELB	04.343.5356.8 10	
For more accessories see pages 216-229 and 238-243						
For marking systems see pages 230-237						

*¹⁾ For maintaining the proper isolation distances, the open side of a feed-through terminal block as well as both sides of a jumper are to be covered by partitions.
²⁾ Please note the mounting instructions on page 126. ³⁾ Do not use in Ex environments. ³⁾ with/without jumper

Neutral disconnect blocks for installation with U-foot, type WKN

selos



Current carrying capability:
fine-stranded: 4 mm² 25 A
solid: 6 mm² 30 A

Current carrying capability:
fine-stranded: 10 mm² 45 A
stranded: 16 mm² 50 A

WKN 4 ETK/U

fine-stranded solid V A
0.5–4 mm² 0.5–6 mm² 400 V/6 kV/3*)

WKN 10 ETK/U

fine-stranded solid/stranded V A
1–10 mm² 1–16 mm² 400 V/6 kV/3*)

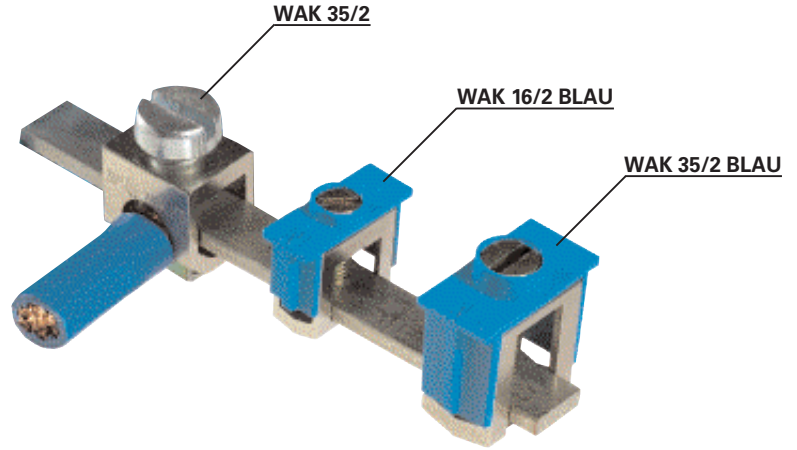
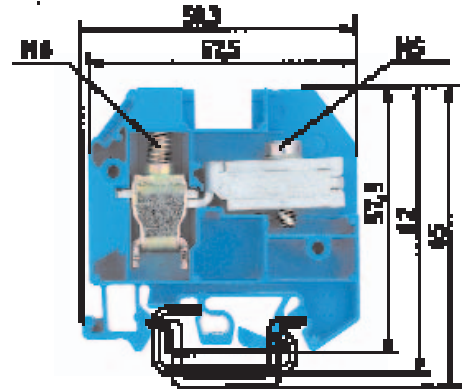
EN 60 947-7-1/DIN VDE 0611 T1
UL ratings/CSA ratings field/factory wiring
Width Wire strip length
Approvals

6 mm 9 mm

10 mm 13 mm

	Type	Part No.	Std. Pack	Type	Part No.	Std. Pack
Neutral disconnect block blue	WKN 4 ETK/U	57.504.8155.0	100	WKN 10 ETK/U	57.510.8155.0	50
Connector clamps for busbar blue						
unplated						
Accessories						
1. Mounting rail TS 35, DIN rail 7.5 mm high L = 2 m	35 x 27 x 7,5 EN 60715	98.300.0000.0	1	35 x 27 x 7,5 EN 60715	98.300.0000.0	1
Mounting rail TS 35, DIN rail, 15 mm high L = 2 m	35 x 24 x 15 EN 60715	98.360.0000.0	1	35 x 24 x 15 EN 60715	98.360.0000.0	1
Mounting rail TS 32, G rail L = 2 m	9006 EN 60715 G-32	98.190.0000.0	1	9006 EN 60715 G-32	98.190.0000.0	1
2. End clamp with U-foot 10 mm wide	WE 1/U	Z5.523.5753.0	100	WE 1/U	Z5.523.5753.0	100
End clamp TS 35, with screw 8 mm wide	9708/2 S35	Z5.522.8553.0	100	9708/2 S35	Z5.522.8553.0	100
End clamp TS 32, with screw 7.5 mm wide	9708	Z5.522.7053.0	100	9708	Z5.522.7053.0	100
3. End plate, 1.5 mm thick gray						
blue	APN 4 ETK	07.312.1155.0	10	APN 10 ETK	07.312.0955.0	10
End plate, 2 mm thick gray						
blue						
4. Partition, 1.5 mm thick gray						
blue						
Partition, 2 mm thick gray						
blue						
Partition, 3 mm thick gray						
blue						
5. Busbar support 10 x 3 4 mm wide	WKI SH/U	01.108.3255.0	10	WKI SH/U	01.108.3255.0	10
6. Busbar E-Cu, 10 x 3 L = 1 m	9813 M	98.290.0000.0	1	9813 M	98.290.0000.0	1
Busbar, tin-plated, 10 x 3 L = 1 m	9813 M SN	98.290.1000.0	1	9813 M SN	98.290.1000.0	1
7. Single cover for cross conn. with mark.facility	AD VB 4 GELB	04.326.2153.8	10	AD VB 10 GELB	04.326.2353.8	10
8. Partition plate with marking facility						
Partition plate with cover						
9. Cover strip for cross conn. over 10 blocks						
Cover strip with warning symbol over 4 blocks						
For more accessories see pages 216-229 and 238-243						
For marking systems see pages 230-237						
*) For use in grounded networks 690/400 V						

Connector clamps for Cu busbar (10 x 3 mm), type WAK



Current carrying capability:
 fine-stranded: 16 mm² 62 A
 stranded: 25 mm² 67 A

WKN 16 ETK/U

fine-stranded solid/stranded V A
 4 – 16 mm² 4 – 25 mm² 400 V/6 kV/3*¹

12 mm 15 mm



EN 60 998-2-1 CCA/CH

WAK 16/2

fine-stranded stranded V A
 1.5 – 16 mm² 10 – 16 mm² 76

8.4 mm 16 mm



EN 60 998-2-1 CCA/CH

WAK 35/2

fine-stranded stranded V A
 16 – 35 mm² 16 – 35 mm² 125

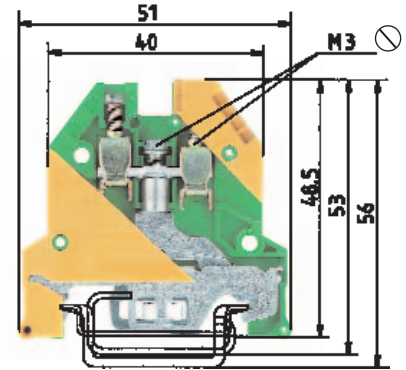
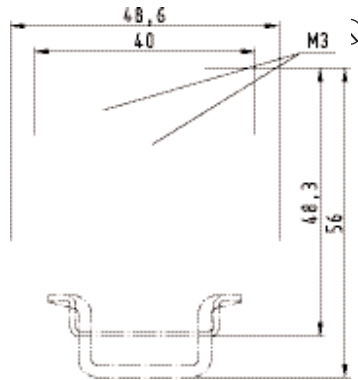
17 mm 14 mm



Type	Part No.	Std. Pack	Type	Part No.	Std. Pack	Type	Part No.	Std. Pack
WKN 16 ETK/U	57.516.8155.0	50	WAK 16/2 BLAU	30.494.3021.6	100	WAK 35/2 BLAU	30.494.4021.6	100
						WAK 35/2	30.494.4121.0	50
35 x 27 x 7,5 EN 60715	98.300.0000.0	1						
35 x 24 x 15 EN 60715	98.360.0000.0	1						
9006 EN 60715 G-32	98.190.0000.0	1						
WE 1/U	Z5.523.5753.0	100						
9708/2 S35	Z5.522.8553.0	100						
9708	Z5.522.7053.0	100						
APN 16 ETK	07.312.0855.0	10						
WKI SH/U	01.108.3255.0	10						
9813 M	98.290.0000.0	1						
9813 M SN	98.290.1000.0	1						
AD VB 16 GELB	04.326.2453.8	10						

Ground blocks type WK/WKN ... SL/U

selos



enclosed design

0344 II 2GD
 EEx eII
 EN 60 947-7-1/DIN VDE 0611 T1
 UL ratings field/factory wiring
 CSA ratings
 KEMA 01 ATEX 2114 U¹⁾ EN 50019/EN 50014
 Width Wire strip length
 Approvals

WK 2,5 SL/35

fine-stranded solid V A
 0.5 – 2.5 mm² 0.5 – 4 mm² 500 V/6 kV/3⁴⁾ A³⁾
 No. 22-12 AWG
 No. 24-12 AWG
 5 mm 9 mm

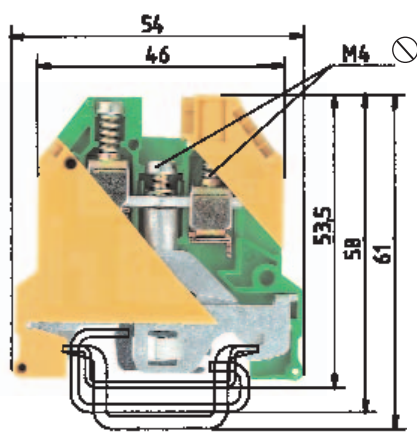
WK 4 SL/U

fine-stranded solid V A
 0.5 – 4 mm² 0.5 – 6 mm² 800 V/8 kV/3⁴⁾ A³⁾
 No. 22-10 AWG
 No. 20-10 AWG
 0.5 – 4 mm² 0.5 – 6 mm²
 6 mm 9 mm



Ground block with U-foot		Type	Part No.	Std. Pack	Type	Part No.	Std. Pack
yellow/green	WK 2,5 SL/35	56.503.9055.0	100	WK 4 SL/U	57.504.9055.0	100	
Accessories							
1. Mounting rail TS 35, DIN rail 7.5 mm high L = 2 m	35 x 27 x 7,5 EN 60715	98.300.0000.0	1	35 x 27 x 7,5 EN 60715	98.300.0000.0	1	
Mounting rail TS 35, DIN rail, 15 mm high L = 2 m	35 x 24 x 15 EN 60715	98.360.0000.0	1	35 x 24 x 15 EN 60715	98.360.0000.0	1	
Mounting rail TS 32, G rail ²⁾ L = 2 m				9006 EN 60715 G-32	98.190.0000.0	1	
2. End clamp with U-foot ²⁾ 10 mm wide							
End clamp TS 35, with screw 8 mm wide							
End clamp TS 32, with screw ²⁾ 7.5 mm wide							
3. End plate, 1.5 mm thick	gray	AP 2,5-4 SL	07.311.7155.0	10			
	blue						
End plate, 2 mm thick	gray						
	blue						
4. Partition, 1.5 mm thick	gray						
	blue						
Partition, 2 mm thick	gray						
	blue						
Partition, 3 mm thick	gray						
	blue						
5. Cross connector with screws, E-Cu insulated (jumper)	2 pole						
	3 pole						
	to 12 pole						
6. Single cover for cross conn. with mark.facility							
7. Partition plate with marking facility							
8. Cover strip for cross conn. over 10 blocks							
Cover strip with warning symbol over 4 blocks							
For more accessories see pages 216-229 and 238-243							
For marking systems see pages 230-237							
¹⁾ Please note the mounting instructions on page 126							
²⁾ Do not use in Ex environments.							
³⁾ For the current carrying capability of the mounting rail see section facts + DATA							
⁴⁾ Ratings to adjacent feed-through blocks of the same series and size							

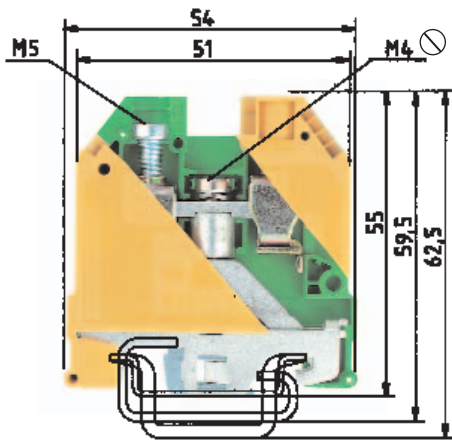
Ground blocks type *WK/WKN ... SL/U*



enclosed design

WK 6 SL/U

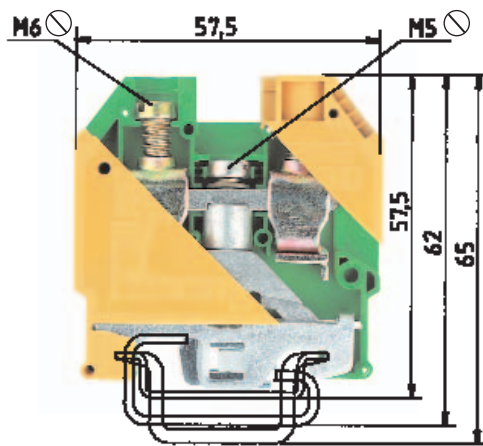
fine-stranded solid V A
 0.5–6 mm² 0.5–10 mm² 800 V/8 kV/3⁴⁾ 3)
 No. 22-8 AWG
 No. 20-8 AWG
 0.5–6 mm² 0.5–10 mm²
 8 mm 12 mm
 EPM S SEV NV FI KEMA ATEX LR UL FM APPROVED CE Ex



enclosed design

WKN 10 SL/U

fine-stranded solid/stranded V A
 2.5–10 mm² 1.5–16 mm² 800 V/8 kV/3⁴⁾ 3)
 No. 16-6 AWG
 No. 16-6 AWG
 2.5–10 mm² 1.5–16 mm²
 10 mm 13 mm
 EPM S SEV NV FI KEMA ATEX LR UL FM APPROVED CE Ex



enclosed design

WKN 16 SL/U

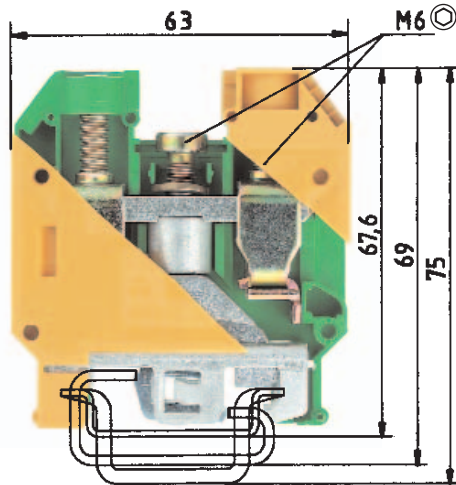
fine-stranded solid/stranded V A
 4–16 mm² 1.5–25 mm² 800 V/8 kV/3⁴⁾ 3)
 No. 12-4 AWG
 No. 14-4 AWG
 4–16 mm² 1.5–25 mm²
 12 mm 15 mm
 EPM S SEV NV FI KEMA ATEX LR UL FM APPROVED CE Ex

Type	Part No.	Std. Pack	Type	Part No.	Std. Pack	Type	Part No.	Std. Pack
WK 6 SL/U	57.506.9055.0	100	WKN 10 SL/U	57.510.9055.0	50	WKN 16 SL/U	57.516.9055.0	50
35 x 27 x 7,5 EN 60715	98.300.0000.0	1	35 x 27 x 7,5 EN 60715	98.300.0000.0	1	35 x 27 x 7,5 EN 60715	98.300.0000.0	1
35 x 24 x 15 EN 60715	98.360.0000.0	1	35 x 24 x 15 EN 60715	98.360.0000.0	1	35 x 24 x 15 EN 60715	98.360.0000.0	1
9006 EN 60715 G-32	98.190.0000.0	1	9006 EN 60715 G-32	98.190.0000.0	1	9006 EN 60715 G-32	98.190.0000.0	1

Ground blocks with screw connection, type WKN

selos

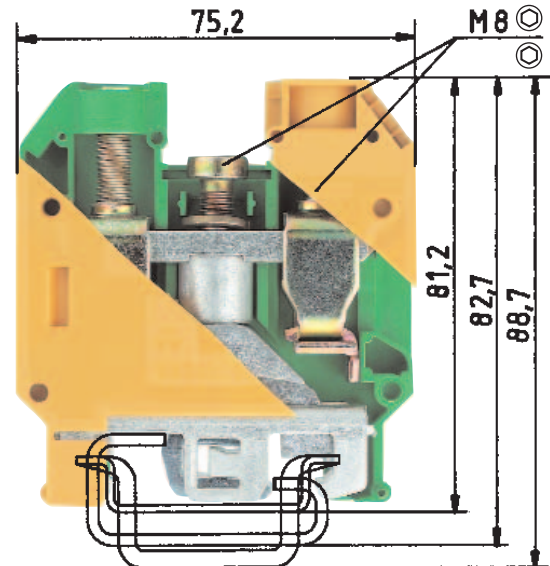
For ground blocks of 70 mm² or higher, only mounting rails from E-copper must be used due to the current carrying capability.



enclosed design

WKN 35 SL/U

fine-stranded stranded V A
 10–35 mm² 10–50 mm² 800 V/8 kV/3⁴⁾ 3)
 No. 10-2 AWG
 No. 10-2 AWG
 10–35 mm² 10–50 mm²
 16 mm 20 mm



enclosed design

WKN 70 SL/U

fine-stranded stranded V A
 10–70 mm² 16–95 mm² 800 V/8 kV/3⁴⁾ 3)
 No. 6-2/0 AWG
 No. 6-2/0 AWG
 10–70 mm² 16–95 mm²
 24 mm 20 mm



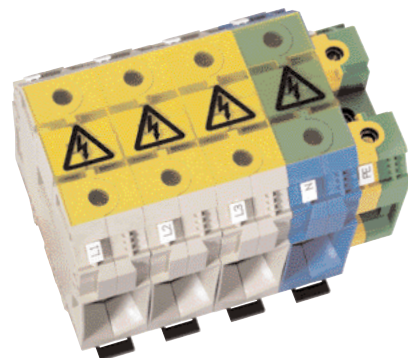
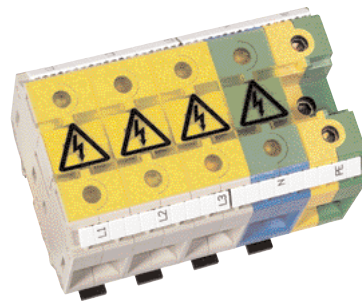
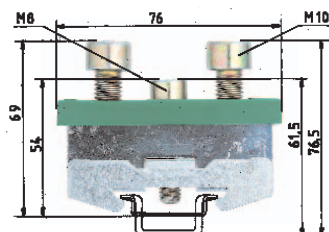
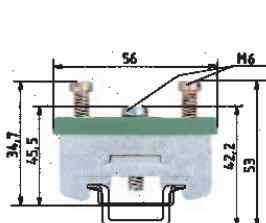
0344 Ex II 2GD
 EEx ell
 EN 60 947-7-1/DIN VDE 0611 T1
 UL ratings field/factory wiring
 CSA ratings
 KEMA 01 ATEX 2114 U¹⁾ EN 50019/EN 50014
 Width Wire strip length
 Approvals

		Type	Part No.	Std. Pack	Type	Part No.	Std. Pack
Ground block with U-foot	yellow/green	WKN 35 SL/U	57.535.9055.0	20	WKN 70 SL/U	57.570.9055.0	20
Ground block for TS 35 EN60715	yellow/green						
Supply set							
Accessories							
1. Mounting rail TS 35, DIN rail 7.5 mm high L = 2 m		35 x 27 x 7,5 EN 60715	98.300.0000.0	1			
Mounting rail TS 35, DIN rail, 15 mm high L = 2 m		35 x 24 x 15 EN 60715	98.360.0000.0	1	35 x 24 x 15 EN 60715 CU	98.380.0000.0	10
Mounting rail TS 32, G rail ²⁾ L = 2 m		9006 EN 60715 G-32	98.190.0000.0	1	9006 EN 60715 G-32 E-CU	98.220.0000.0	10
2. End clamp with U-foot ²⁾ 10 mm wide							
End clamp TS 35, with screw 8 mm wide							
End clamp TS 32, with screw ²⁾ 7.5 mm wide							
3. End plate, 1.5 mm thick	gray						
	blue						
End plate, 2 mm thick	gray						
	blue						
4. Partition, 1.5 mm thick	gray						
	blue						
Partition, 2 mm thick	gray						
	blue						
5. Cross connector with screws, E-Cu insulated (jumper)	2 pole						
	3 pole						
	to 12 pole						
6. Single cover for cross conn. with mark.facility							
7. Partition plate with marking facility							
8. Cover strip for cross conn. over 10 blocks							
Cover strip with warning symbol over 4 blocks							
For more accessories see pages 216-229 and 238-243							
For marking systems see pages 230-237							
¹⁾ Please note the mounting instructions on page 126.		²⁾ Do not use in Ex environments.					
³⁾ For the current carrying capability of the mounting rail see section facts + DATA							
⁴⁾ Ratings to adjacent feed-through blocks of the same series and size							

Ground blocks for TS 35

Supply set

Clamping screw stop-plate, Polyamide 66/6
Clamping body, nickel-plated brass
Screws: nickel-plated brass
Clamping foot: nickel-plated brass
Clamping spring: zinc-plated steel



9700 A/35 E S 35

fine-stranded 35 mm² stranded 50 mm²

V

A³⁾

9700 A/70 E S 35

fine-stranded 70 mm² stranded 120 mm²
No. 6-2/0 AWG
No. 6-2/0 AWG

V

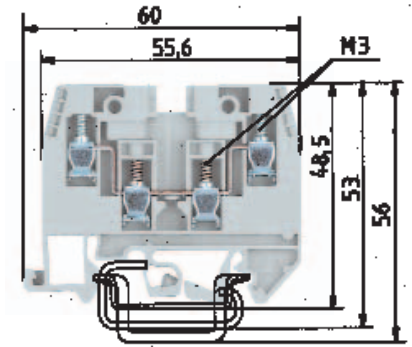
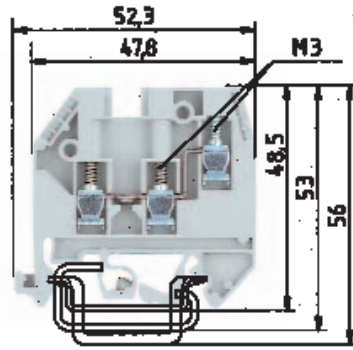
A³⁾



Type	Part No.	Std. Pack	Type	Part No.	Std. Pack	Type	Part No.	Std. Pack
9700 A/35 E S 35	Z2.302.0621.0	25	9700 A/70 E S 35	Z2.302.0421.0	10	WKN 70 3D/N/SL/U	57.570.9855.0	1
						WKN 70 3D/2N/SL/U	57.570.9955.0	1
						WKN 150/70 3D/N/SL/U	57.597.9855.0	1
						WKN 150/3D/N/U	57.597.9955.0	1
35 x 27 x 7,5 EN 60715	98.300.0000.0	1						
35 x 24 x 15 EN 60715	98.360.0000.0	1	35 x 24 x 15 EN 60715 CU	98.380.0000.0	10			

Duo feed-through blocks, type WK 4/D...

selos / OS



0344 Ex II 2GD

EEx ell

EN 60 947-7-1/DIN VDE 0611 T1

EN 60 947-7-2/DIN VDE 0611 T3

UL ratings

field/factory wiring

CSA ratings

KEMA 01 ATEX 2114 U¹⁾ EN 50019/EN 50014

Width

Wire strip length

Approvals

WK 4/D 1/2 /U

fine-stranded	solid	V	A
0.5 – 4 mm ²	0.5 – 6 mm ²	500 V/6 kV/3	30
No. 22-10 AWG		600 V	30
No. 20-10 AWG		600 V	30
0.5 – 4 mm ²	0.5 – 6 mm ²	420 V	30/30 ²⁾
6 mm			9 mm

Ex II 2GD ATEX LR FM Ex

WK 4/D 2/2 /U

fine-stranded	solid	V	A
0.5 – 4 mm ²	0.5 – 6 mm ²	500 V/6 kV/3	30
No. 22-10 AWG		600 V	30
No. 20-10 AWG		600 V	30
0.5 – 4 mm ²	0.5 – 6 mm ²	420 V	29/30 ²⁾
6 mm			9 mm

Ex II 2GD ATEX LR FM Ex

	Type	Part No.	Std. Pack	Type	Part No.	Std. Pack
Duo feed-through block 1/2	gray	WK 4/D 1/2 /U	57.504.5055.0 100			
	blue	WK 4/D 1/2 /U BLAU	57.504.5055.6 100			
Duo feed-through block 2/2	gray			WK 4/D 2/2 /U	57.504.5155.0 100	
	blue			WK 4/D 2/2 /U BLAU	57.504.5155.6 100	
Duo multi-tier block	gray					
Duo ground block 2/2	green/yellow					
Accessories						
1. Mounting rail TS 35, DIN rail 7.5 mm high L = 2 m		35 x 27 x 7,5 EN 60715	98.300.0000.0 1	35 x 27 x 7,5 EN 60715	98.300.0000.0 1	
Mounting rail TS 35, DIN rail, 15 mm high L = 2 m		35 x 24 x 15 EN 60715	98.360.0000.0 1	35 x 24 x 15 EN 60715	98.360.0000.0 1	
Mounting rail TS 32, G rail* L = 2 m		9006 EN 60715 G-32	98.190.0000.0 1	9006 EN 60715 G-32	98.190.0000.0 1	
2. End clamp with U-foot* 10 mm wide		WE 1/U	Z5.523.5753.0 100	WE 1/U	Z5.523.5753.0 100	
End clamp TS 35, with screw 8 mm wide		9708/2 S 35	Z5.522.8553.0 100	9708/2 S 35	Z5.522.8553.0 100	
End clamp TS 32, with screw* 7.5 mm wide		9708	Z5.522.7053.0 100	9708	Z5.522.7053.0 100	
3. End plate, 1.5 mm thick	gray	AP 4/D 1/2	07.311.6455.0 10	AP 4/D..	07.311.6355.0 10	
	blue	AP 4/D 1/2 BLAU	07.311.6455.6 10	AP 4/D.. BLAU	07.311.6355.6 10	
4. Partition, 1.5 mm thick	gray					
5. Cross connector with screws, E-Cu insulated (jumper)	2 pole	IVB WK 4 D...-2	Z7.281.7227.0 10	IVB WK 4 D...-2	Z7.281.7227.0 10	
	3 pole	IVB WK 4 D...-3	Z7.281.7327.0 10	IVB WK 4 D...-3	Z7.281.7327.0 10	
	to 12 pole	IVB WK 4 D...-12	Z7.281.8227.0 10	IVB WK 4 D...-12	Z7.281.8227.0 10	
6. Jumper comb for lower tier blocks						
insulated	2 pole	IVK WK 4/D...-2	Z7.256.2227.0 10	IVK WK 4/D...-2	Z7.256.2227.0 10	
	to 6 pole	IVK WK 4/D...-12	Z7.256.3227.0 10	IVK WK 4/D...-12	Z7.256.3227.0 10	
Jumper comb, straight, 1mm thick	2 pole					
	to 6 pole					
7. Single cover for cross conn. with marking facility		AD VB 4 GELB	04.326.2153.8 10	AD VB 4 GELB	04.326.2153.8 10	
8. Partition plate with marking facility		TS 4/15 GELB	07.311.2953.8 10	TS 4/15 GELB	07.311.2953.8 10	
9. Cover strip for cross conn. over 10 blocks		AD VB 6/10 GELB	04.342.0656.8 10	AD VB 6/10 GELB	04.342.0656.8 10	
Cover strip with warn. symb. over 4 blocks						
10. Cover with warning symbol						
For more accessories see pages 216-229 and 238-243						
For marking systems see pages 230-237						

¹⁾ Please note the mounting instructions on page 126.

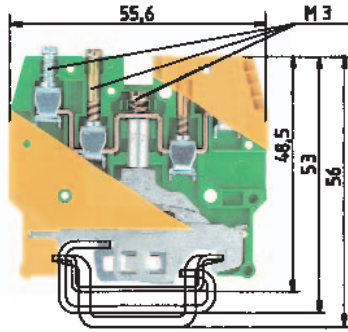
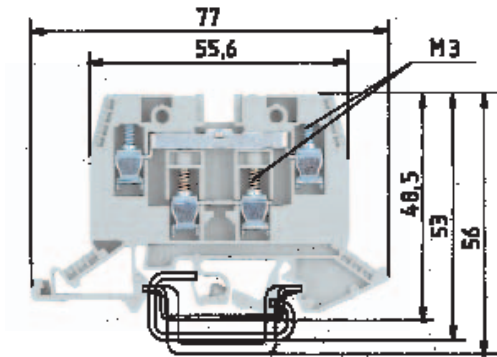
²⁾ with/without jumper

³⁾ For the current carrying capability of the mounting rail see section **facts** + DATA

⁴⁾ Ratings to adjacent feed-through blocks of the same series and size

* Do not use in Ex environments.

Duo feed-through blocks, type WK 4/D...



⁵⁾ 500 V/6 kV/3 with partition plate 07.311.2953.8 between two adjacent blocks

⁶⁾ with partition plate 07.311.2953.8 between two adjacent blocks

enclosed design

WK 4/D EU

fine-stranded	solid	V	A
0.5 – 4 mm ²	0.5 – 6 mm ²	320 V/4 kV/3 ⁵⁾	22

No. 22-10 AWG	300 V ⁶⁾	30
No. 20-12 AWG	600 V ⁶⁾	30
0.5 – 4 mm ²	0.5 – 6 mm ²	275 V
6 mm		22/22 ²⁾
		9 mm



WK 4/D 2/2 SL U

fine-stranded	solid	V	A
0.5 – 4 mm ²	0.5 – 6 mm ²	500 V/6 kV/3 ⁴⁾	3)

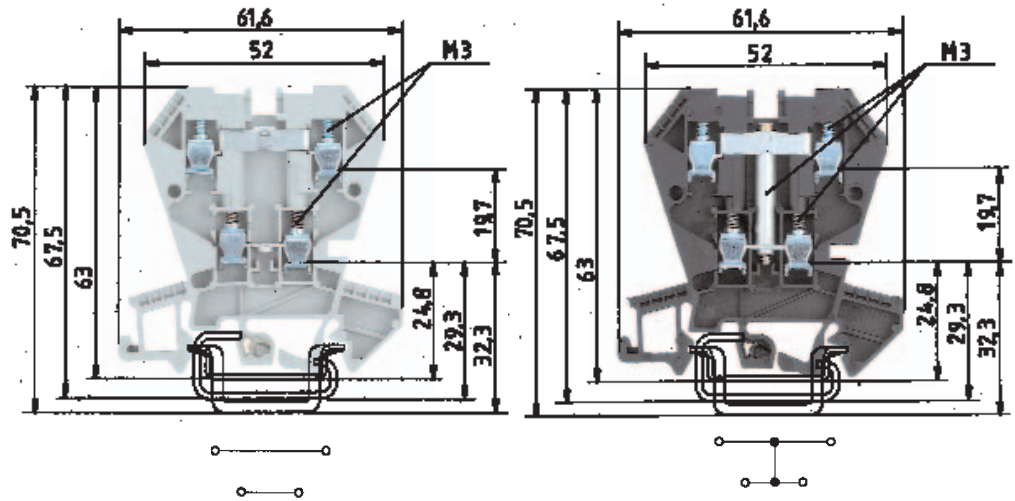
No. 22-10 AWG		
No. 20-12 AWG		
0.5 – 4 mm ²	0.5 – 6 mm ²	
6 mm		9 mm



Type	Part No.	Std. Pack	Type	Part No.	Std. Pack
WK 4/D EU	57.504.5255.0	100	WK 4/D 2/2 SL U	57.504.9155.0	100
35 x 27 x 7,5 EN 60715	98.300.0000.0	1	35 x 27 x 7,5 EN 60715	98.300.0000.0	1
35 x 24 x 15 EN 60715	98.360.0000.0	1	35 x 24 x 15 EN 60715	98.360.0000.0	1
9006 EN 60715 G-32	98.190.0000.0	1	9006 EN 60715 G-32	98.190.0000.0	1
WE 1/U	Z5.523.5753.0	100			
9708/2 S 35	Z5.522.8553.0	100			
9708	Z5.522.7053.0	100			
AP 4/D...	07.311.6355.0	10			
AP 4/D.. BLAU	07.311.6355.6	10			
IVB WK 4/DEU-2	Z7.271.0227.0	10			
IVB WK 4/DEU-3	Z7.271.0327.0	10			
IVB WK 4/DEU-12	Z7.271.1227.0	10			
IVK WK 4/D...-2	Z7.256.2227.0	10			
IVK WK 4/D...-12	Z7.256.3227.0	10			
AD VB 4 GELB	04.326.2153.8	10			
TS 4/15 GELB	07.311.2953.8	10			
AD VB 6/10 GELB	04.342.0656.8	10			

Multi-tier blocks type WK 4 E...

selos



0344 Ex II 2GD

EEx ell

EN 60 947-7-1/DIN VDE 0611 T1

EN 60 947-7-2/DIN VDE 0611 T3

UL ratings field/factory wiring

CSA ratings

KEMA 02 ATEX 2114 U¹⁾ EN 50019/EN 50014

Width Wire strip length

Approvals

WK 4 E/U

fine-stranded	solid	V	A
0.5 – 4 mm ²	0.5 – 4 mm ²	400 V/6 kV/3 ³⁾	32
No. 22-10 AWG		300 V	20
No. 20-12 AWG		300 V	10
0.5 – 4 mm ²	0.5 – 4 mm ²	275 V	24/24 ²⁾
6 mm			9 mm



WK 4 E/U /VB

fine-stranded	solid	V	A
0.5 – 4 mm ²	0.5 – 4 mm ²	400 V/6 kV/3	32
No. 22-10 AWG		300 V	20
No. 20-12 AWG		300 V	10
6 mm			9 mm



	Type	Part No.	Std. Pack	Type	Part No.	Std. Pack
Multi-tier block gray	WK 4 E/U	57.404.7055.0	100			
Multi-tier block black				WK 4 E/U/VB SCHWARZ	57.404.6955.1	100
Multi-tier block with inverted diode orange						
Multi-tier block red						
Ground block green/yellow						
Accessories						
1. Mounting rail TS 35, DIN rail 7.5 mm high L = 2 m	35 x 27 x 7,5 EN 60715	98.300.0000.0	1	35 x 27 x 7,5 EN 60715	98.300.0000.0	1
Mounting rail TS 35, DIN rail, 15 mm high L = 2 m	35 x 24 x 15 EN 60715	98.360.0000.0	1	35 x 24 x 15 EN 60715	98.360.0000.0	1
Mounting rail TS 32, G rail* L = 2 m	9006 EN 60715 G-32	98.190.0000.0	1	9006 EN 60715 G-32	98.190.0000.0	1
2. End clamp with U-foot* 10 mm wide	WE 1/U	Z5.523.5753.0	100	WE 1/U	Z5.523.5753.0	100
End clamp TS 35, with screw 8 mm wide	9708/2 S 35	Z5.522.8553.0	100	9708/2 S 35	Z5.522.8553.0	100
End clamp TS 32, with screw* 7.5 mm wide	9708	Z5.522.7053.0	100	9708	Z5.522.7053.0	100
3. End plate, 1.5 mm thick gray	AP 4 E	07.311.4055.0	10	AP 4 E	07.311.4055.0	10
4. Partition, 1.5 mm thick gray	TW 4 E	07.311.5055.0	10	TW 4 E	07.311.5055.0	10
5. Cross connector with screws, E-Cu						
uninsulated for top tier 2 pole	9215-2	Z7.210.3227.0	50	9215-2	07.210.3227.0	1
3 pole	9215-3	Z7.210.3327.0	50	9215-3	07.210.3327.0	1
to 6 pole	9215-6	Z7.210.3627.0	50	9215-6	07.210.3627.0	1
6. Jumper comb for lower tier block						
angled, 1 mm thick insulation 2 pole	IVBS WK 4 E-2	Z7.256.4227.0	10	IVBS WK 4 E-2	Z7.256.4227.0	10
to 6 pole	IVBS WK 4 E-6	Z7.256.4627.0	10	IVBS WK 4 E-6	Z7.256.4627.0	10
Jumper comb for lower tier block						
straight, 1 mm thick insulated 2 pole	IVB WK 4 E-2	Z7.255.2227.0	10	IVB WK 4 E-2	Z7.255.2227.0	10
to 6 pole	IVB WK 4 E-6	Z7.255.2627.0	10	IVB WK 4 E-6	Z7.255.2627.0	10
7. Single cover for cross conn. with marking facility	AD VB 4/15 GELB	04.326.2953.8	10			
8. Snap-in partition plate with marking facility						
9. Cover strip for cross conn. over 10 blocks	AD VB 6/10 E GELB	04.342.2656.8	10	AD VB 6/10 E GELB	04.342.2656.8	10
Cover strip with warning symbol over 4 blocks						
For more accessories see pages 216-229 and 238-243						
For marking systems see pages 230-237						

¹⁾ Please note the mounting instructions on page 126.

²⁾ with/without jumper

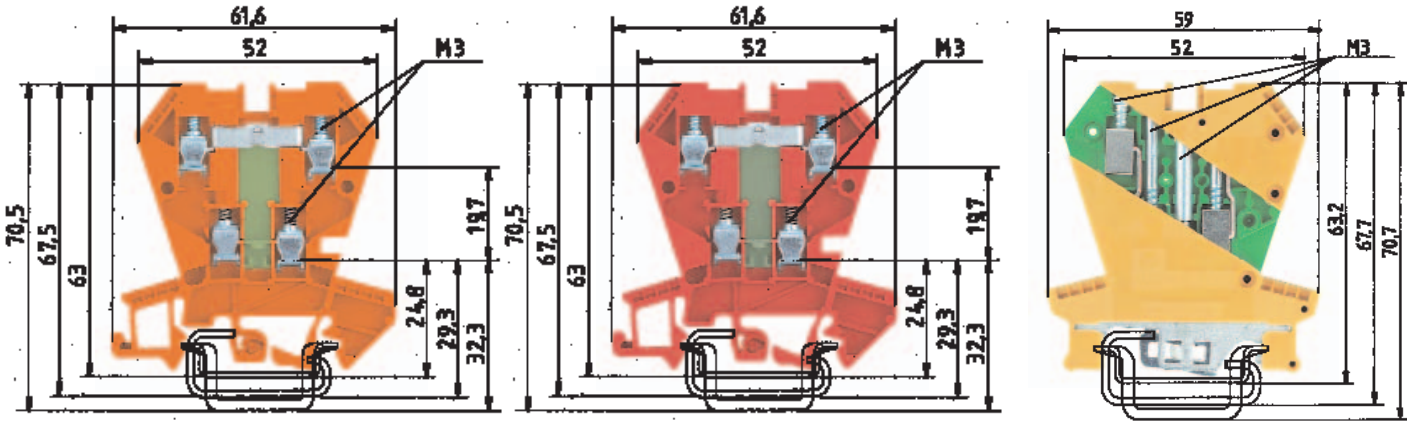
³⁾ With end plates 500 V/6 kV/3

⁴⁾ Ratings to adjacent feed-through blocks of the same series and size

⁵⁾ For the current carrying capability of the mounting rail see section **facts** + DATA

* Do not use in Ex environments.

Multi-tier blocks type WK 4 E...



enclosed design

WK 4 E/U...

fine-stranded solid V A
0.5–4 mm² 0.5–4 mm²

No. 22-10 AWG
No. 20-12 AWG

6 mm 9 mm



WK 4 E SL/U

fine-stranded solid V A

0.5–4 mm² 0.5–6 mm² 500 V/6 kV/3⁴) 5)

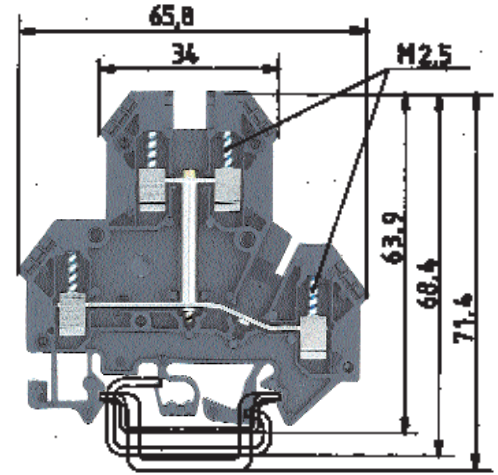
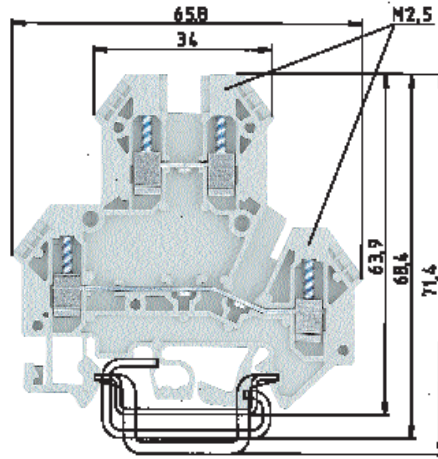
No. 22-12 AWG
No. 22-10 AWG
0.5–4 mm² 0.5–6 mm²
6.2 mm 9 mm



Type	Part No.	Std. Pack		Type	Part No.	Std. Pack
			57.404.8355.5			
WK 4 E/U...	57.404.XX55.9	100	57.404.8055.9		400 V 1 A/1000 V	
WK 4 E/U...	57.404.XX55.5	100	with inverted diode			
			57.404.8255.5		400 V	
			57.404.8155.9		1 A/1000 V	
			with inverted diode			
35 x 27 x 7,5 EN 60715	98.300.0000.0	1	57.404.7255.5 LED red		24 V DC R = 2.2 K 0.35 W	
35 x 24 x 15 EN 60715	98.360.0000.0	1	57.404.8755.5 LED green			
9006 EN 60715 G-32	98.190.0000.0	1				
WE 1/U	Z5.523.5753.0	100	57.404.7455.9 LED red		24 V DC R = 2.2 K 0.35 W	
9708/2 S 35	Z5.522.8553.0	100				
9708	Z5.522.7053.0	100				
AP 4 E	07.311.4055.0	10				
TW 4 E	07.311.5055.0	10				
			57.404.7955.5			
			57.404.8855.9		1 A/400 V	
			with inverted diodes			
IVBS WK 4 E-2	Z7.256.4227.0	10				
IVBS WK 4 E-6	Z7.256.4627.0	10	57.404.8455.5		42 V AC 1 A/1000 V R = 6.8 K 0.6 W	
IVB WK 4 E-2	Z7.255.2227.0	10				
IVB WK 4 E-6	Z7.255.2627.0	10	57.404.6255.9		24 V DC 1 A R = 2.2 K 0.35 W	

Multi-tier feed-through block

selos



WKN 2,5 E/U

fine-stranded solid V A
 0.5 – 2.5 mm² 0.5 – 4 mm² 500 V/6 kV/3 24
 No. 22-12 AWG 600 V 20/25
 No. 24-12 AWG 600 V 25

Width Wire strip length 5 mm 8 mm



WKN 2,5 E/U/VB

fine-stranded solid V A
 0.5 – 2.5 mm² 0.5 – 4 mm² 500 V/6 kV/3 24
 No. 22-12 AWG 600 V 20/25
 No. 24-12 AWG 600 V 25

Width Wire strip length 5 mm 8 mm



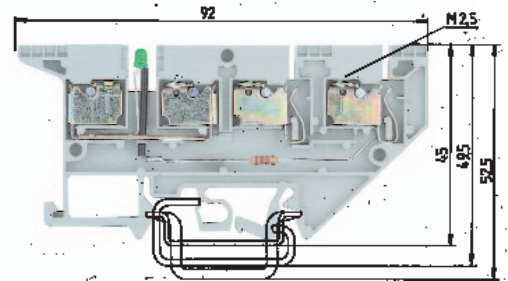
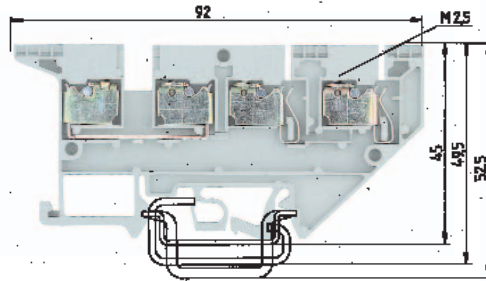
EN 60 947-7-1/DIN VDE 0611 T1
 UL ratings field/factory wiring
 CSA ratings
 Width Wire strip length
 Approvals

	Type	Part No.	Std. Pack	Type	Part No.	Std. Pack
Multi-tier feed-through block gray	WKN 2,5 E/U	57.403.7055.0	100			
upper and lower feed-through tier connected	black			WKN 2,5 E/U/VB	57.403.6955.1	100
Accessories						
1. Mounting rail TS 35, DIN rail 7.5 mm high L = 2 m	35 x 27 x 7,5 EN 60715	98.300.0000.0	1	35 x 27 x 7,5 EN 60715	98.300.0000.0	1
Mounting rail TS 35, DIN rail 1.5 mm high L = 2 m	35 x 24 x 15 EN 60715	98.360.0000.0	1	35 x 24 x 15 EN 60715	98.360.0000.0	1
Mounting rail TS 32, G rail L = 2 m	9006 EN 60715 G-32	98.190.0000.0	1	9006 EN 60715 G-32	98.190.0000.0	1
2. End clamp with U-foot 10 mm wide	WE 1/U	Z5.523.5753.0	100	WE 1/U	Z5.523.5753.0	100
End clamp TS 35, with screw 8 mm wide	9708/2 S 35	Z5.522.8553.0	100	9708/2 S 35	Z5.522.8553.0	100
End clamp TS 32, with screw 7.5 mm wide	9708	Z5.522.7053.0	100	9708	Z5.522.7053.0	100
3. End plate 1.5 mm thick	APN 2,5 E	07.312.1755.0	10	APN 2,5 E	07.312.1755.0	10
4. Partition 1.5 mm thick	TWN 2,5 E	07.312.1855.0	10	TWN 2,5 E	07.312.1855.0	10
5. Cross connector with screws for upper and lower feed-through tier, insulated						
2 pole	IVB WK 2,5 - 2	Z7.280.2227.0	10	IVB WK 2,5 - 2	Z7.280.2227.0	10
3 pole	IVB WK 2,5 - 3	Z7.280.2327.0	10	IVB WK 2,5 - 3	Z7.280.2327.0	10
to 12 pole	IVB WK 2,5 - 12	Z7.280.3227.0	10	IVB WK 2,5 - 12	Z7.280.3227.0	10
6. Single cover for cross conn. with marking facility	AD VB 2,5 GELB	04.326.2053.8	10	AD VB 2,5 GELB	04.326.2053.8	10
7. Cover strip for cross conn. over 10 blocks	AD VB 5/10 GELB	04.342.0556.8	10	AD VB 5/10 GELB	04.342.0556.8	10
8. Cover strip with warning symbol over 4 blocks		04.343.4756.8	10		04.343.4756.8	10
9. Snap-in partition plate	TS 2,5 GELB	07.311.2053.8	10	TS 2,5 GELB	07.311.2053.8	10
For marking systems see pages 230-237						

selos

Initiator blocks with TOP connection

selos



Indicator: R = 2.2 K; 0.35 W
Lamp color: green

EN 60 947-7-1/DIN VDE 0611 T1
UL ratings field/factory wiring
CSA ratings
Width Wire strip length
Approvals

WK 2,5-4 KOI/U

fine-stranded solid V A
0.5 - 2.5 mm² 0.5 - 4 mm² 400 V/6 kV/3 16*)
No. 22-12 AWG 300 V 20/30
No. 22-12 AWG 300 V 25
5 mm 10 mm



WK 2,5-4 KOI/U-NGN

fine-stranded solid V A
0.5 - 2.5 mm² 0.5 - 4 mm² 24 DC 16*)
No. 22-12 AWG 24 V 20/30
No. 22-12 AWG 24 V 25
5 mm 10 mm



	Type	Part No.	Std. Pack	Type	Part No.	Std. Pack
Initiator block gray	WK 2,5-4 KOI/U	57.503.7055.0	50			
Initiator block W/ LED (NPN) gray				WK 2,5-4 KOI/U-NGN	57.503.7155.0	50
Accessories						
1. Mounting rail TS 35, DIN rail 7.5 mm high L = 2 m	35 x 27 x 7,5 EN 60715	98.300.0000.0	1	35 x 27 x 7,5 EN 60715	98.300.0000.0	1
Mounting rail TS 35, DIN rail 1.5 mm high L = 2 m	35 x 24 x 15 EN 60715	98.360.0000.0	1	35 x 24 x 15 EN 60715	98.360.0000.0	1
Mounting rail TS 32, G rail L = 2 m	9006 EN 60715 G-32	98.190.0000.0	1	9006 EN 60715 G-32	98.190.0000.0	1
2. End clamp with U-foot 10 mm wide	WE 1/U	Z5.523.5753.0	100	WE 1/U	Z5.523.5753.0	100
End clamp TS 35, with screw 8 mm wide	9708/2 S 35	Z5.522.8553.0	100	9708/2 S 35	Z5.522.8553.0	100
End clamp TS 32, with screw 7.5 mm wide	9708	Z5.522.7053.0	100	9708	Z5.522.7053.0	100
3. End plate 1.5 mm thick	AP 2,5-4 K0	07.310.9355.0	50	AP 2,5-4 K0	07.310.9355.0	50
4. Partition plate 1.5 mm thick	TW 2,5-4 K0	07.310.9455.0	50	TW 2,5-4 K0	07.310.9455.0	50
5. Cross connector for voltage supply						
uninsulated 2 pole	VB WK 2,5 K0-2	07.257.0227.0	100	VB WK 2,5 K0-2	07.257.0227.0	100
3 pole	VB WK 2,5 K0-3	07.257.0327.0	100	VB WK 2,5 K0-3	07.257.0327.0	100
to 20 pole	VB WK 2,5 K0-20	07.257.2027.0	50	VB WK 2,5 K0-20	07.257.2027.0	50
6. Jumper bar for signal,						
uninsulated 2 pole	VB WK 2,5-2	Z7.280.0227.0	10			
3 pole	VB WK 2,5-3	Z7.280.0327.0	10			
to 6 pole	VB WK 2,5-6	Z7.280.0627.0	10			
7. Single cover for cross conn. with marking facility	AD VB 2,5 GELB	04.326.2053.8	10	AD VB 2,5 GELB	04.326.2053.8	10
8. Cover strip with test hole over 10 blocks	AD VB 5/10 P GELB	04.342.3556.8	10	AD VB 5/10 P GELB	04.342.3556.8	10
9. Cover strip for cross connectors over 10 blocks	AD VB 5/10	04.342.0556.0	10	AD VB 5/10	04.342.0556.0	10
10. Partition plate	TS 2,5 GELB	07.311.2053.8	10	TS 2,5 GELB	07.311.2053.8	10
11. Tear-off marking strip, red, marked "+"	9705 A/5/10 B + ROT	04.855.0253.5	25	9705 A/5/10 B + ROT	04.855.0253.5	25
12. Tear-off marking strip, blue, marked "-"	9705 A/5/10 B - BLAU	04.855.0353.6	25	9705 A/5/10 B - BLAU	04.855.0353.6	25
For marking systems see pages 230-237						
*) feed-through 16 A						

Disconnect blocks with U-foot, type WK

selos

When selecting G fuse inserts, make sure that the specified maximum power is not exceeded.¹⁾ The current is determined by the inserted fuse.¹⁾ The voltage range is determined by the built-in LED display.²⁾ Depending on the application and the installation method, the circumstances for increased temperature must be checked in the closed fuse holders. Higher ambient temperatures are an additional load for the fuse inserts. Therefore, the reduction of the rated current must be considered accordingly in these applications.

Indicator (24 V): Lamp color: red
Power consumption: 10.3 mA

Indicator (220 V): Lamp color: red
Current input: 0.3 mA

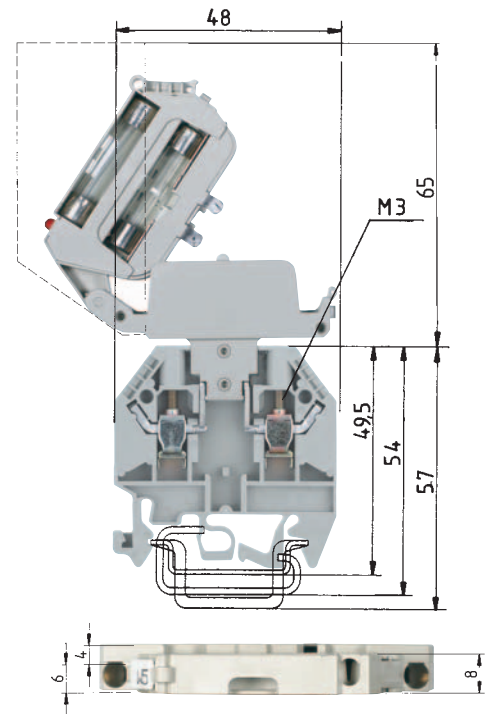
¹⁾ Maximum power loss at 23 °C ambient temperature (according to DIN EN 60947-7-3)

Type	Rated voltage	Overload protection		Exclusive short-circuit protection	
		Single arrangement	Group arrangement	Single arrangement	Group arrangement
THSi 5x20	250 V	1.6 W	1.6 W	4.0 W	2.5 W
THSi 6.3x32	500 V	2.5 W	1.6 W	4.0 W	4.0 W

EN 60 947-7-1/DIN VDE 0611 Teil 1
EN 60 127-6/DIN VDE 0820 T6
UL ratings field/factory wiring
CSA ratings
Width Wire strip length
Approvals

WK 4 TKG... mit THSi 5x20

fine-stranded solid V A
0.5 – 4 mm² 0.5–6 mm² 800 V/8 kV/3²⁾ ¹⁾
No. 22-10 AWG 300 V²⁾ 10¹⁾
No. 20-10 AWG 250 V²⁾ 6.3¹⁾
6 mm 9 mm



WK 4 TKG... mit THSi 6,3x32

fine-stranded solid V A
0.5 – 4 mm² 0.5–6 mm² 800 V/8 kV/3²⁾ ¹⁾
No. 22-10 AWG 300 V²⁾ 10¹⁾
No. 20-10 AWG 250 V²⁾ 6.3¹⁾
6 mm 9 mm



	Type	Part No.	Std. Pack	Type	Part No.	Std. Pack
Disconnect base block gray	WK 4 TKG/U	57.504.4055.0	100	WK 4 TKG/U	57.504.4055.0	100
Fuse disconnect lever	THSi 5x20	Z1.298.1053.0	10	THSi 6,3x32	Z1.298.1653.0	10
Fuse disconnect lever with LED 12–24 V ²⁾	THSi 5x20 LED24	Z1.298.1153.0	10	THSi 6,3x32 LED24	Z1.298.1753.0	10
Fuse disconnect lever with LED 24–60 V ²⁾	THSi 5x20 LED60	Z1.298.1253.0	10	THSi 6,3x32 LED60	Z1.298.1853.0	10
Fuse disconnect lever with GL 110–250 V ²⁾	THSi 5x20 GL250	Z1.298.1353.0	10	THSi 6,3x32 GL250	Z1.298.1953.0	10
Knife edge disconnect block gray						
	blue					
– with 2 test bolts	gray					
Invertible plug disconnect block m. Inver. plug w/o test bolt C.: gray						
– with test bolts left and right	gray					
Feed-through block	gray					
Accessories						
1. Mounting rail TS 35, DIN rail, 7.5 mm high L = 2 m	35 x 27 x 7.5 EN 60715	98.300.0000.0	1	35 x 27 x 7.5 EN 60715	98.300.0000.0	1
Mounting rail TS 35, DIN rail 15 mm high L = 2 m	35 x 24 x 15 EN 60715	98.360.0000.0	1	35 x 24 x 15 EN 60715	98.360.0000.0	1
Mounting rail TS 32, G rail L = 2 m	9006 EN 60715 G-32	98.190.0000.0	1	9006 EN 60715 G-32	98.190.0000.0	1
2. End clamp with U-foot 10 mm wide	WE 2/U	Z5.523.5653.0	100	WE 2/U	Z5.523.5653.0	100
End clamp TS 35, with screw 8 mm wide	9708/2 S 35	Z5.522.8553.0	100	9708/2 S 35	Z5.522.8553.0	100
End clamp TS 32, with screw 7.5 mm wide	9708	Z5.522.7053.0	100	9708	Z5.522.7053.0	100
3. End plate, 1.5 mm thick	AP 4 TK	07.311.6155.0	10	AP 4 TK	07.311.6155.0	10
	gray					
	blue					
4. Partition, 1.5 mm thick	TW 4 TK	07.311.8155.0	10	TW 4 TK	07.311.8155.0	10
	gray					
	blue					
5. Jumper comb insulated 2 pole	IVB 1 WK 4..-2	Z7.255.4227.0	10	IVB 1 WK 4..-2	Z7.255.4227.0	10
to 6 pole	IVB 1 WK 4..-6	Z7.255.4627.0	10	IVB 1 WK 4..-6	Z7.255.4627.0	10
6. Cover f. cross conn. with marking facility						
7. Snap-in partition plate with marking facility						
For marking systems see pages 230-237						

Disconnect blocks with U-foot, type WK

selos

When selecting G fuse inserts, make sure that the specified maximum power is not exceeded.¹⁾ The current is determined by the inserted fuse.¹⁾ The voltage range is determined by the built-in LED display.²⁾ Depending on the application and the installation method, the circumstances for increased temperature must be checked in the closed fuse holders. Higher ambient temperatures are an additional load for the fuse inserts. Therefore, the reduction of the rated current must be considered accordingly in these applications.

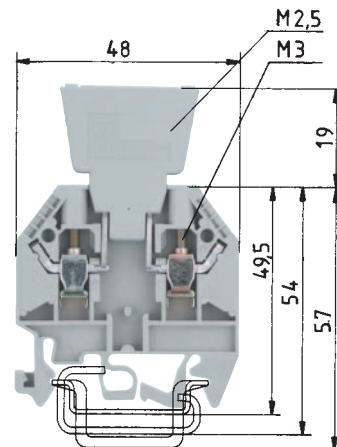
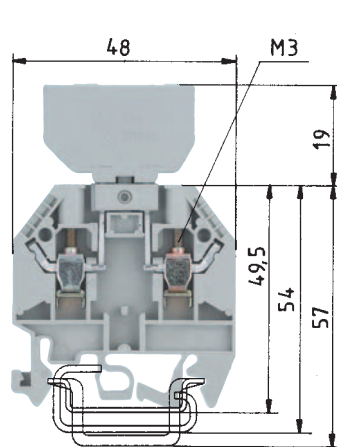
Indicator (24 V): Lamp color: red
Power consumption: 10.3 mA

Indicator (220 V): Lamp color: red
Current input: 0.3 mA

¹⁾ Maximum power loss at 23 °C ambient temperature (according to DIN EN 60947-7-3)

Type	Rated voltage	Overload protection		Exclusive short-circuit protection	
		Single arrangement	Group arrangement	Single arrangement	Group arrangement
SIST	250 V	1.6 W	1.6 W	2.5 W	1.6 W

EN 60 947-7-1/DIN VDE 0611 Teil 1
EN 60 127-6/DIN VDE 0820 T6
UL ratings field/factory wiring
CSA ratings
Width Wire strip length
Approvals



The current carrying load depends on the built-in component. Temporary peak voltage 1000 V. Pole assignment of the diode: Anode Cathode, Cathode Anode

WK 4 TKG... SIST

fine-stranded solid V A
0.5 – 4 mm² 0.5 – 6 mm² 800 V/8 kV/3²⁾ ¹⁾
No. 22-10 AWG 300 V 10
No. 20-10 AWG 250 V 6.3
6 mm 9 mm



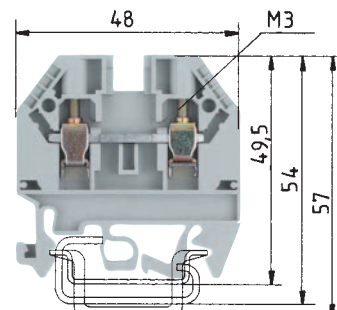
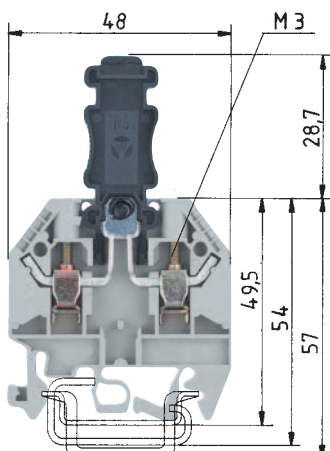
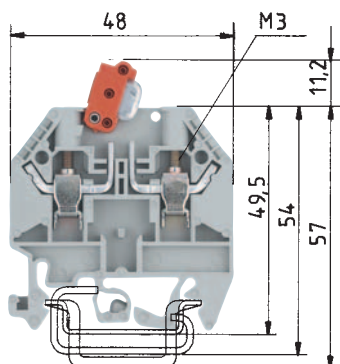
WK 4 TKG... DIST

fine-stranded solid V A
0.5 – 4 mm² 0.5 – 6 mm² 800 V/8 kV/3
No. 22-10 AWG 300 V 10
No. 20-10 AWG 250 V 6.3
6 mm 9 mm



	Type	Part No.	Std. Pack	Type	Part No.	Std. Pack
Disconnect block	gray	WK 4 TKG/U	57.504.4055.0 100	WK 4 TKG/U	57.504.4055.0 100	
Fuse holder for 5 x 20 fuse	blue	Si ST	Z1.299.4055.0 10			
Fuse holder with indicator (24 V)	gray	Si ST LED	Z1.299.4155.0 10			
Fuse holder with indicator (110-220 V)	gray	Si ST GL	Z1.299.4255.0 10			
Diode plug, without contacts	J _{max} = 10 A gray			DIST ...	Z1.299.3055.0 10	
Diode plug - diode	J _{max} = 11 A gray			DIST-1 N 4007-1 ⁵⁾	Z1.299.3155.0 10	
Diode plug - diode	J _{max} = 11 A gray			DIST-1 N 4007-2 ⁶⁾	Z1.299.3355.0 10	
Diode plug with jumper	J _{max} = 10 A gray			DIST-D	Z1.299.3255.0 10	
Knife edge disconnect block	gray					
	blue					
- with 2 test bolts	gray					
Invertible plug disconnect block m. Inver. plug w/o test bolt C.: gray	gray					
- with test bolts left and right	gray					
Feed-through block	gray					
Accessories						
1. Mounting rail TS 35, DIN rail, 7.5 mm high L = 2 m	35 x 27 x 7,5 EN 60715	98.300.0000.0	1	35 x 27 x 7,5 EN 60715	98.300.0000.0	1
Mounting rail TS 35, DIN rail 15 mm high L = 2 m	35 x 24 x 15 EN 60715	98.360.0000.0	1	35 x 24 x 15 EN 60715	98.360.0000.0	1
Mounting rail TS 32, G rail L = 2 m	9006 EN 60715 G-32	98.190.0000.0	1	9006 EN 60715 G-32	98.190.0000.0	1
2. End clamp with U-foot 10 mm wide	WE 2/U	Z5.523.5653.0	100	WE 2/U	Z5.523.5653.0	100
End clamp TS 35, with screw 8 mm wide	9708/2 S 35	Z5.522.8553.0	100	9708/2 S 35	Z5.522.8553.0	100
End clamp TS 32, with screw 7.5 mm wide	9708	Z5.522.7053.0	100	9708	Z5.522.7053.0	100
3. End plate, 1.5 mm thick	AP 4 TK	07.311.6155.0	10	AP 4 TK	07.311.6155.0	10
	blue					
4. Partition, 1.5 mm thick	TW 4 TK	07.311.8155.0	10	TW 4 TK	07.311.8155.0	10
	blue					
5. Jumper comb insulated 2 pole	IVB 1 WK 4..-2	Z7.255.4227.0	10	IVB 1 WK 4..-2	Z7.255.4227.0	10
to 6 pole	IVB 1 WK 4..-6	Z7.255.4627.0	10	IVB 1 WK 4..-6	Z7.255.4627.0	10
6. Cover f. cross conn. with marking facility						
7. Snap-in partition plate with marking facility						
For marking systems see pages 230-237						

Disconnect blocks with U-foot, type WK



The disconnecting knife in these WK versions swings in and out on a pivot point. The distinctive color of the disconnecting lever signals the open state. The terminals can be connected with the lever open or closed. Designs with a different number and arrangement of test sockets permit safe measurements using the test plug.

The plug in disconnect terminal has the same profile as the modular terminal WK4. The isolating connector is detachable and can be fitted as a dummy plug. This signals the open state. Designs with different numbers of test sockets permit safe measurements using the test plug.

Same dimensions as types WK 4 TKG/U and WK 4/TKM/U

WK 4/TKM

fine-stranded solid	V	A
0.5 – 4 mm ² 0.5 – 6 mm ²	800 V/8 kV/3 ^{*)}	20
No. 22-10 AWG	600 V	20
No. 22-10 AWG	600 V ^{*)}	20
6 mm		9 mm

WK 4 TKG-TRST/U

fine-stranded solid	V	A
0.5 – 4 mm ² 0.5 – 6 mm ²	800 V/8 kV/3 ^{*)}	20
No. 22-10 AWG	300 V	10
No. 22-10 AWG	600 V ^{*)}	20
6 mm		9 mm

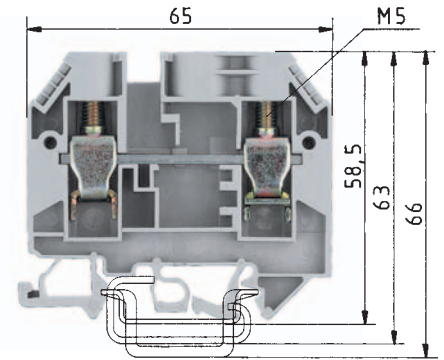
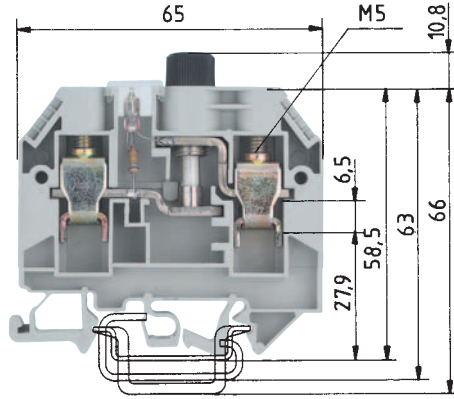
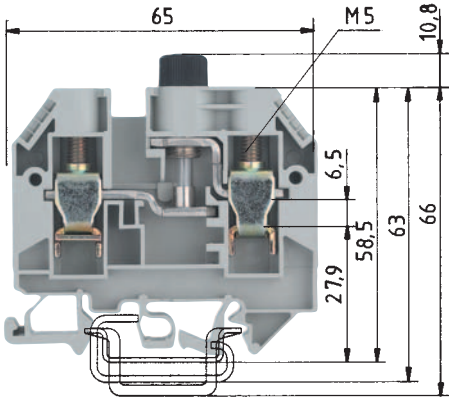
WK 4 TKS D/U

fine-stranded solid	V	A
0.5 – 4 mm ² 0.5 – 6 mm ²	800 V/8 kV/3	32
No. 22-10 AWG	300 V	25
No. 20-10 AWG	600 V	20
6 mm		9 mm

Type	Part No.	Std. Pack	Type	Part No.	Std. Pack	Type	Part No.	Std. Pack
WK 4/TKM/U	57.504.2055.0	100						
WK 4/TKM/U BLAU	57.504.2055.6	100						
WK 4/TKM/P3/U	57.504.2355.0	100						
			WK 4 TKG-TRST/U	57.504.4555.0	100			
			WK 4 TKG-TRST P3/U	57.504.4855.0	100			
						WK 4 TKS D/U	57.504.4455.0	100
35 x 27 x 7,5 EN 60715	98.300.0000.0	1	35 x 27 x 7,5 EN 60715	98.300.0000.0	1	35 x 27 x 7,5 EN 60715	98.300.0000.0	1
35 x 24 x 15 EN 60715	98.360.0000.0	1	35 x 24 x 15 EN 60715	98.360.0000.0	1	35 x 24 x 15 EN 60715	98.360.0000.0	1
9006 EN 60715 G-32	98.190.0000.0	1	9006 EN 60715 G-32	98.190.0000.0	1	9006 EN 60715 G-32	98.190.0000.0	1
WE 2/U	Z5.523.5653.0	100	WE 2/U	Z5.523.5653.0	100	WE 2/U	Z5.523.5653.0	100
9708/2 S 35	Z5.522.8553.0	100	9708/2 S 35	Z5.522.8553.0	100	9708/2 S 35	Z5.522.8553.0	100
9708	Z5.522.7053.0	100	9708	Z5.522.7053.0	100	9708	Z5.522.7053.0	100
AP 4 TK	07.311.6155.0	10	AP 4 TK	07.311.6155.0	10	AP 4 TK	07.311.6155.0	10
AP 4 TK BLAU	07.311.6155.6	10						
TW 4 TK	07.311.8155.0	10	TW 4 TK	07.311.8155.0	10	TW 4 TK	07.311.8155.0	10
TW 4 TK BLAU	07.311.8155.6	10						
IVB 1 WK 4..-2	Z7.255.4227.0	10	IVB 1 WK 4..-2	Z7.255.4227.0	10	IVB 1 WK 4..-2	Z7.255.4227.0	10
IVB 1 WK 4..-6	Z7.255.4627.0	10	IVB 1 WK 4..-6	Z7.255.4627.0	10	IVB 1 WK 4..-6	Z7.255.4627.0	10
						AD VB 4 GELB	04.326.2153.8	10
						TS 4 GELB	07.311.2153.8	10
*) Version with test bolt: CSA: 300 V EN 60 947-7-1/DIN VDE 0611 T1 – 690 V/6 kV/3 Test bolt can be loaded with 1 A			*) Version with test bolt: CSA: 300 V EN 60 947-7-1/DIN VDE 0611 T1 – 690 V/6 kV/3 Test bolt can be loaded with 1 A					

Fuse blocks with U-foot, type WK

Type	Overload protection		Exclusive short-circuit protection	
	Single arrangement	Group arrangement	Single arrangement	Group arrangement
WK 10 Si U 5x20	4.0W/6.3A	2.5W/6.3A	4.0W/6.3A	4.0W/6.3A
WK 10 Si U 6.3x32	4.0W/10A	2.5W/2.5A	4.0W/10A	2.5W/2.5A
WK 10 Si U 5x25	4.0W/6.3A	2.5W/6.3A	4.0W/6.3A	4.0W/6.3A
WK 10 Si U 5x30	4.0W/6.3A	2.5W/6.3A	4.0W/6.3A	4.0W/6.3A



*1) Voltage and current are determined by the built-in LED and the inserted G-fuse.

*1) Voltage and current are determined by the built-in indicator and the inserted G-fuse.

WK 10/Si ... /U

	fine-stranded	solid/stranded	V	A
	1 - 10 mm ²	1.0 - 16 mm ²	500 V/6 kV/3*)	10*)
	No. 22-6 AWG		600 V*)	15
	No. 16-6 AWG		600 V*)	max. 15
	12 mm			13 mm



WK 10/Si ... /U with indicator

	fine-stranded	solid/stranded	V	A
	1 - 10 mm ²	1.0 - 16 mm ²	500 V/6 kV/3*)	max.10*)
	No. 22-6 AWG		600 V*)	15
	No. 16-6 AWG		600 V*)	max. 15
	12 mm			13 mm



WK 10/Si U D

	fine-stranded	solid/stranded	V	A
	1 - 10 mm ²	1.0 - 16 mm ²	500 V/6 kV/3	57
	No. 22-6 AWG		600 V	50
	No. 16-6 AWG		600 V	65
	12 mm			13 mm

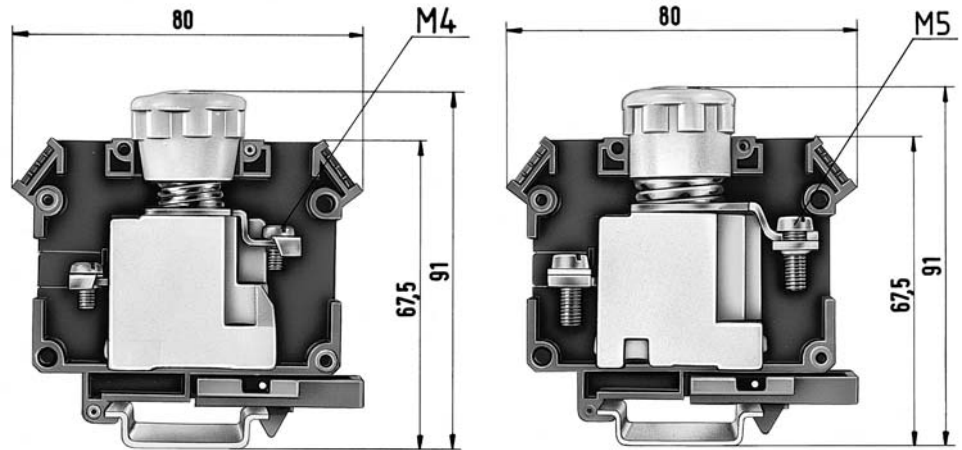


Type	Part No.	Std. Pack	Type	Part No.	Std. Pack	Type	Part No.	Std. Pack
WK 10/Si U 5 x 20	57.910.5055.0	50	WK 10/Si U 5x20M, NGL	57.910.5455.0	50			
WK 10/Si U 5 x 25	57.910.5155.0	50	WK 10/Si U 5x20M, GLB	57.910.5855.0	50			
WK 10/Si U 5 x 30	57.910.5255.0	50	WK 10/Si U 6,3x32M, NGL	57.910.5755.0	50			
WK 10/Si U 6,3 x 32	57.910.5355.0	50	WK 10/Si U 6,3x32M, GLB	57.910.6155.0	50	WK 10/Si U D	57.910.4955.0	50
35 x 27 x 7,5 EN 60715	98.300.0000.0	1	35 x 27 x 7,5 EN 60715	98.300.0000.0	1	35 x 27 x 7,5 EN 60715	98.300.0000.0	1
35 x 24 x 15 EN 60715	98.360.0000.0	1	35 x 24 x 15 EN 60715	98.360.0000.0	1	35 x 24 x 15 EN 60715	98.360.0000.0	1
9006 EN 60715 G-32	98.190.0000.0	1	9006 EN 60715 G-32	98.190.0000.0	1	9006 EN 60715 G-32	98.190.0000.0	1
WE 1/U	Z5.523.5753.0	100	WE 1/U	Z5.523.5753.0	100	WE 1/U	Z5.523.5753.0	100
9708/2 S 35	Z5.522.8553.0	100	9708/2 S 35	Z5.522.8553.0	100	9708/2 S 35	Z5.522.8553.0	100
9708	Z5.522.7053.0	100	9708	Z5.522.7053.0	100	9708	Z5.522.7053.0	100
AP 10/Si	07.311.4155.0	10	AP 10/Si	07.311.4155.0	10	AP 10/Si	07.311.4155.0	10
VB WK 10/Si-2	Z7.287.0227.0	10	VB WK 10/Si-2	Z7.287.0227.0	10	VB WK 10/Si-2	Z7.287.0227.0	10
VB WK 10/Si-3	Z7.287.0327.0	10	VB WK 10/Si-3	Z7.287.0327.0	10	VB WK 10/Si-3	Z7.287.0327.0	10
VB WK 10/Si-6	Z7.287.0627.0	10	VB WK 10/Si-6	Z7.287.0627.0	10	VB WK 10/Si-6	Z7.287.0627.0	10
	04.312.2056.0	100		04.312.2056.0	100		04.312.2056.0	100
*)	VDE	CSA	UL	*)	VDE	CSA	UL	
57.910.5055.0	250 V ~	600 V	600 V	57.910.5455.0	110 - 250 V ~	500 V	150 V	
57.910.5155.0	250 V ~	600 V	600 V	Indicator red	Current consumed 0.16 - 0.8 mA			
57.910.5255.0	500 V ~	600 V	600 V	57.910.5855.0	28 V ~	28 V	28 V	
57.910.5355.0	500 V ~	600 V	600 V	Indicator yellow	Current consumed 24 mA			
				57.910.5755.0	110 - 500 V ~	500 V	150 V	
				Indicator red	Current consumed 0.6 - 0.8 mA			
				57.910.6155.0	28 V ~	28 V	28 V	
				Indicator yellow	Current consumed 24 mA			

selos

Fuse block for NEOZED® mounting on TS 35 and TS 32 rail

selos



*) Current and voltage are determined by the fuse

DIN VDE 0636
UL ratings
CSA ratings
Width
Approvals

Wire strip length

9700 B/30 Si E 14/S 35

fine-stranded solid
1.5 – 4 mm² 1.5 – 4 mm²

2–16 A

V A
400 V ~*) 16*)

9700 B/30 Si E 18/S 35

fine-stranded solid/stranded
1.5 – 25 mm² 1.5 – 25 mm²

2–63 A

V A
400 V ~*) 63*)

30 mm

10 mm

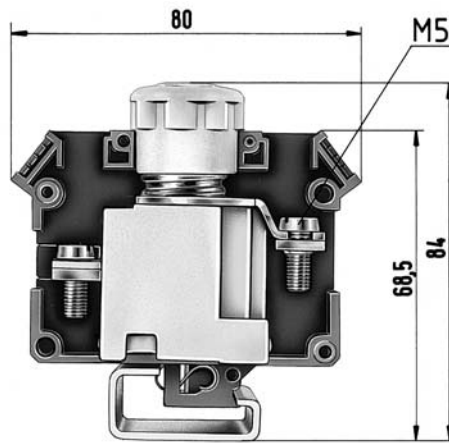
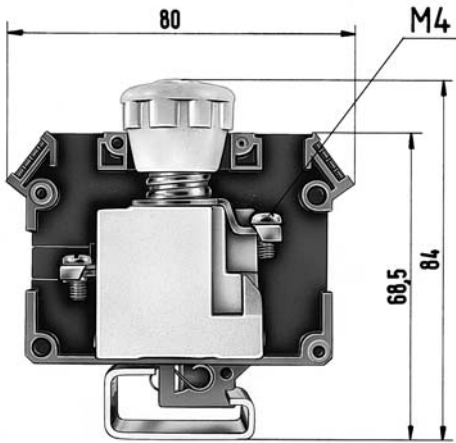
30 mm

12 mm

Fuse block	Type	Part No.	Std. Pack	Type	Part No.	Std. Pack
complete with closed insulating housing	9700 B/30 Si E 14/S 35	56.904.4055.0	20	9700 B/30 Si E 18/S 35	56.925.4055.0	20
Accessories						
1. Mounting rail TS 35, DIN rail, 7.5 mm high L = 2 m	35 x 27 x 7,5 EN 60715	98.300.0000.0	1	35 x 27 x 7,5 EN 60715	98.300.0000.0	1
Mounting rail TS 35, DIN rail 1.5 mm high L = 2 m	35 x 24 x 15 EN 60715	98.360.0000.0	1	35 x 24 x 15 EN 60715	98.360.0000.0	1
Mounting rail TS 32, G rail						
2. End clamp with U-foot 10 mm wide	WE 1/U	Z5.523.5753.0	100	WE 1/U	Z5.523.5753.0	100
End clamp TS 35, with screw 8 mm wide	9708/2 S 35	Z5.522.8553.0	100	9708/2 S 35	Z5.522.8553.0	100
End clamp TS 32, with screw 7.5 mm wide						
3. NEOZED® adapter sleeve 2 A – pink		05.595.9200.0	50		05.595.5900.0	50
4 A – brown		05.595.9300.0	50		05.595.6000.0	50
6 A – green		05.595.9400.0	50		05.595.6100.0	50
10 A – red		05.595.9500.0	50		05.595.6200.0	50
16 A – gray					05.595.6300.0	50
20 A – blue					05.595.6400.0	50
25 A – yellow					05.595.6500.0	50
35 A – black					05.595.6600.0	50
50 A – white					05.595.6700.0	50
4. Cover cap		04.326.1053.0	100		04.326.1053.0	100
5. Jumper comb						
6 pole					07.250.3027.0	25
uninsulated 10 pole					07.250.3127.0	10
6. Special retaining clip					05.549.0500.0	1
For marking systems see pages 230-237						
NEOZED® = registered trademark of Siemens AG						

Fuse block for NEOZED® mounting on TS 35 and TS 32 rail

SEIOS



9700 B/30 Si E 14/S 32

fine-stranded 1.5 – 4 mm² solid 1.5 – 4 mm²

2–16 A

V A
400 V ~*) 16*)

9700 B/30 Si E 18/S 32

fine-stranded 1.5 – 25 mm² solid/stranded 1.5 – 25 mm²

2–63 A

V A
400 V ~*) 63*)

30 mm



10 mm

30 mm



12 mm

Type	Part No.	Std. Pack	Type	Part No.	Std. Pack
9700 B/30 Si E 14/S 35	54.904.4055.0	20	9700 B/30 Si E 18/S 32	54.925.4055.0	20
9006 EN 60715 G-32	98.190.0000.0	1	9006 EN 60715 G-32	98.360.0000.0	1
WE 1/U	Z5.523.5753.0	100	WE 1/U	Z5.523.5753.0	100
9780	Z5.522.7053.0	100	9780	Z5.522.7053.0	100
	05.595.9200.0	50		05.595.5900.0	50
	05.595.9300.0	50		05.595.6000.0	50
	05.595.9400.0	50		05.595.6100.0	50
	05.595.9500.0	50		05.595.6200.0	50
				05.595.6300.0	50
				05.595.6400.0	50
				05.595.6500.0	50
				05.595.6600.0	50
				05.595.6700.0	50
	04.326.1053.0	100		04.326.1053.0	100
				07.250.3027.0	25
				07.250.3127.0	10
				05.549.0500.0	1

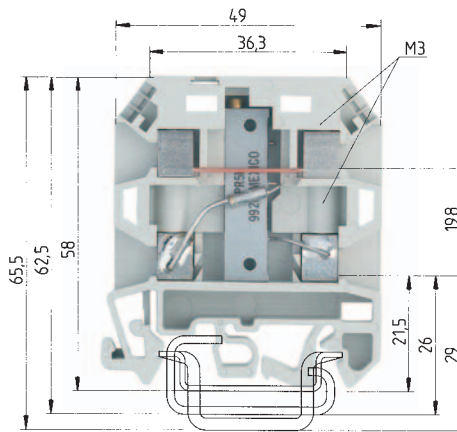
Compensating terminals with trimming potentiometer

selos

The compensating terminal is available from 10 to 50 Ohms. The 12 mm width has two clamping points for connecting the adjustable resistance and two clamping points for connecting the return conductor. A marking facility is provided for each clamping point. Switch symbols on the insulating housing identify the connections and the direction of rotation for the adjustable resistance. The device operates with a linear characteristic. The fine spread of the main spindle enables the desired resistance value to be set accurately. Insulating housing with snap on end section.

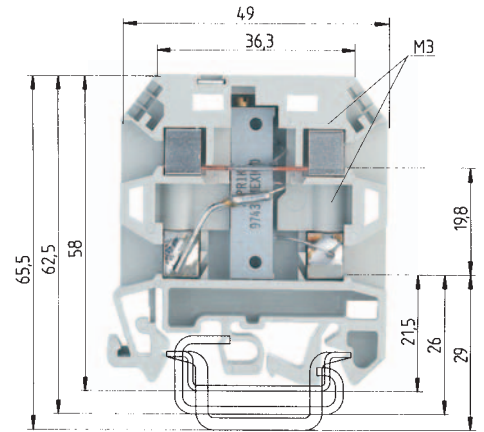
Electrical specifications for the compensating terminal.

Resistor range: 0.25 Ω to 100 Ω
 Resistor tolerance: ± 10%
 Resistor range: 100 Ω to 50 kΩ
 Resistor tolerance: ± 20%
 Limited continuous resistance value: 0.75 W to 70 °C
 Max. load: 100 mA
 Temperature coefficient: 0 to +500 ppm/°C
 Max. operating voltage: 300 V



9785 U/...

fine-stranded solid V A
 0.5 – 2.5 mm² 0.5 – 2.5 mm² see description



as voltage divider

9785 U/... - SPT

fine-stranded solid V A
 0.5 – 2.5 mm² 0.5 – 2.5 mm² see description

EN 60 947-7-1/DIN VDE 0611 T1

UL ratings

CSA ratings

Width Wire strip length 12 mm 9 mm 12 mm 9 mm

Approvals

Compensating terminal			Type	Part No.	Std. Pack	Type	Part No.	Std. Pack
gray	10 Ω		9785 U/10 Ω	57.904.0055.0	50	9785 U/10 Ω-SPT	57.904.3955.0	50
with potentiometer			20 Ω	9785 U/20 Ω	57.904.0155.0	50	9785 U/20 Ω-SPT	57.904.4155.0
	50 Ω		9785 U/50 Ω	57.904.0255.0	50	9785 U/50 Ω-SPT	57.904.4255.0	50
	100 Ω		9785 U/100 Ω	57.904.0355.0	50	9785 U/100 Ω-SPT	57.904.4355.0	50
	200 Ω		9785 U/200 Ω	57.904.0455.0	50	9785 U/200 Ω-SPT	57.904.4455.0	50
	510 Ω		9785 U/500 Ω	57.904.0555.0	50	9785 U/500 Ω-SPT	57.904.4555.0	50
	1 kΩ		9785 U/1 kΩ	57.904.0655.0	50	9785 U/1 kΩ-SPT	57.904.4655.0	50
	2 kΩ		9785 U/2 kΩ	57.904.0755.0	50	9785 U/2 kΩ-SPT	57.904.4755.0	50
	5 kΩ		9785 U/5 kΩ	57.904.0855.0	50	9785 U/5 kΩ-SPT	57.904.4855.0	50
	10 kΩ		9785 U/10 kΩ	57.904.0955.0	50	9785 U/10 kΩ-SPT	57.904.4955.0	50
	20 kΩ		9785 U/20 kΩ	57.904.1055.0	50	9785 U/20 kΩ-SPT	57.904.5055.0	50
	50 kΩ		9785 U/50 kΩ	57.904.1155.0	50	9785 U/50 kΩ-SPT	57.904.5155.0	50
Diode terminal								
with bridge rectifier B380 C1500								
with optocoupler CNY 17/3								
Accessories								
1. Mounting rail TS 35, DIN rail 7.5 mm high	L = 2 m		35 x 27 x 7,5 EN 60715	98.300.0000.0	1	35 x 27 x 7,5 EN 60715	98.300.0000.0	1
Mounting rail TS 35, DIN rail 1.5 mm high	L = 2 m		35 x 24 x 15 EN 60715	98.360.0000.0	1	35 x 24 x 15 EN 60715	98.360.0000.0	1
Mounting rail TS 32	G rail	L = 2 m	9006 EN 60715 G-32	98.190.0000.0	1	9006 EN 60715 G-32	98.190.0000.0	1
2. End clamp with U-foot	10 mm wide		WE 1/U	Z5.523.5753.0	100	WE 1/U	Z5.523.5753.0	100
End clamp TS 35, with screw	8 mm wide		9708/2 S 35	Z5.522.8553.0	100	9708/2 S 35	Z5.522.8553.0	100
End clamp TS 32, with screw	7.5 mm wide		9708	Z5.522.7053.0	100	9708	Z5.522.7053.0	100
3. Jumper comb								
uninsulated	2 pole		VB 9786-2	07.253.0227.0	50	VB 9786-2	07.253.0227.0	50
	3 pole		VB 9786-3	07.253.0327.0	50	VB 9786-3	07.253.0327.0	50
	to 6 pole		VB 9786-6	07.253.0627.0	50	VB 9786-6	07.253.0627.0	50
For more accessories see pages 216-229 and 238-243								
For marking systems see pages 230-237								

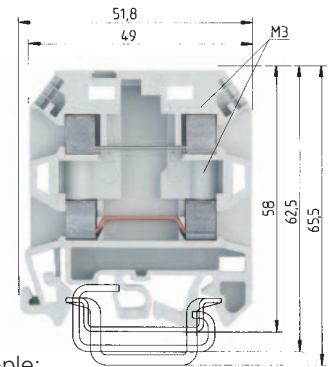
Thermocouple terminal

selos

Field of application:

In thermocouple measurement circuits, thermocouples are extended using compensating lines. Compensating lines are made of materials which have the same thermal emf values as the thermocouples up to 200 °C. In the thermocouple terminals, the combined metals are made up of the same materials as the compensating lines in accordance with DIN 43713 and DIN 43714 in order to ensure that no corrupting thermal voltages forces are produced and the basic values in accordance with DIN IED 584 are maintained at the compensating line.

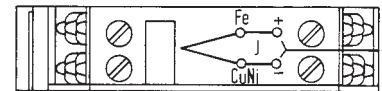
The thermocouple terminal consists of an insulating housing and a snap-in end section.



Example:

Fe/constantan

Fe/CuNi 44



fully enclosed design

*) to the adjacent terminal block type 9786 U/...

9786 U/TSK...

fine-stranded solid V A
0.5 - 2.5 mm² 0.5 - 2.5 mm² 800 V/8 kV/3*)

EN 60 947-7-1/DIN VDE 0611 T1

UL ratings

CSA ratings

Width

Wire strip length

12 mm

9 mm

Approvals

		Type	Part No.	Std. Pack
Thermocouple terminal	type T-Cu/CuNi 44	9786 U/TSK Cu-CuNi	57.904.7355.0	50
Thermocouple terminal	type E-NiCr/CuNi 44	9786 U/TSK NiCr-CuNi	57.904.7055.0	50
Thermocouple terminal	type J-Fe/CuNi 44	9786 U/TSK Fe-CuNi	57.904.7155.0	50
Thermocouple terminal	type K-NiCr/Ni	9786 U/TSK NiCr-Ni	57.904.7255.0	50
Thermocouple terminal	type R-PtRh 13/Pt	9786 U/TSK E-Cu-A-Cu	57.904.7455.0	50
	type S-PtRh 10/Pt			
Ground disconnect 24 - 48 V= with LED				
Ground disconnect 110 - 220 V ≈ with indicator lamp				
Accessories				
1. Mounting rail TS 35, DIN rail 7.5 mm high	L = 2 m	35 x 27 x 7,5 EN 60715	98.300.0000.0	1
Mounting rail TS 35, DIN rail 1.5 mm high	L = 2 m	35 x 24 x 15 EN 60715	98.360.0000.0	1
Mounting rail TS 32, G rail	L = 2 m	9006 EN 60715 G-32	98.190.0000.0	1
2. End clamp with U-foot	10 mm wide	WE 1/U	Z5.523.5753.0	100
End clamp TS 35, with screw	8 mm wide	9708/2 S 35	Z5.522.8553.0	100
End clamp TS 32, with screw	7.5 mm wide	9708	Z5.522.7053.0	100
For more accessories see pages 216-229 and 238-243				
For marking systems see pages 230-237				

Ground disconnect blocks selos



EN 60 204 part 1 / DIN VDE 0113 part 1 "Fitting industrial machines with electrical equipment".

9.4.3.1. Protection against unintentional start-up caused by ground faults.
Ground faults in control circuits may not cause an unintentional start-up, dangerous movements by the machine, or prevent the machine from stopping.

During normal operation the auxiliary circuit is connected to the functional ground and the green (24 - 48 V) or yellow (110 - 220 V) status display is illuminated.

If a low resistance ground fault occurs, the line fuse will blow.

Once the contact separator is open, you can replace the fuse.

The illumination of the red lamp alone indicates an ground fault.

After the fault had been rectified, the green (24-48V) or yellow (110-220V) display will light up. The contacts should now be moved to the "on" position as a result of which the red lamp will go out.

The illumination of the yellow or green lamp and external display indicates that the auxiliary circuit had been reconnected to the functional ground.

9760 U/8 TKE...

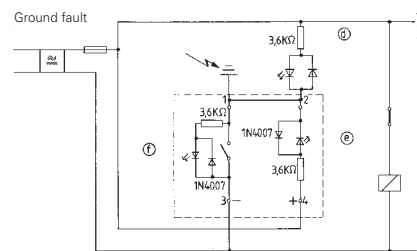
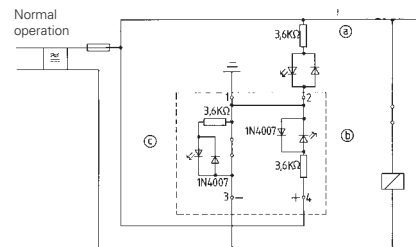
fine-stranded	solid/stranded	V	A
1 - 10 mm ²	1 - 10 mm ²	24-48 V/110-220 V	30
No. 18-8 AWG		48 V/220 V	25
No. 18-8 AWG		48 V/220 V	25
17.5 mm			9 mm

Type	Part No.	Std. Pack
9760 U/8 TKE 48	57.110.1655.0	25
9760 U/8 TKE 220	57.110.1555.0	25
35 x 27 x 7,5 EN 60715	98.300.0000.0	1
35 x 24 x 15 EN 60715	98.360.0000.0	1
9006 EN 60715 G-32	98.190.0000.0	1
WE 1/U	Z5.523.5753.0	100
9708/2 S 35	Z5.522.8553.0	100
9708	Z5.522.7053.0	100

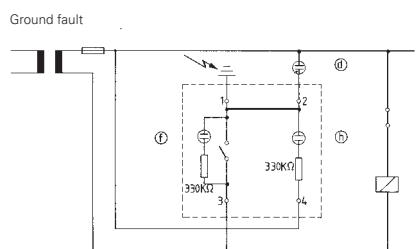
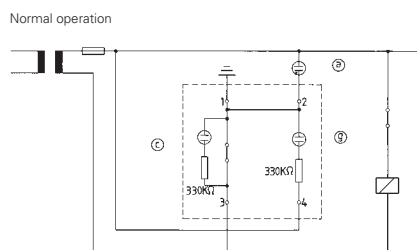
Subject to change without further notice

- (a) external status display lights up
- (b) green status display lights up
- (c) red ground-fault indicator lights up
- (d) external status display lights up
- (e) green status display lights up
- (f) red ground-fault indicator lights up

Ground Disconnect terminal with LED 24 - 48 V_≈



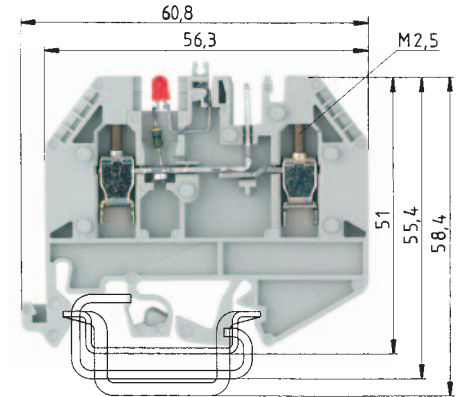
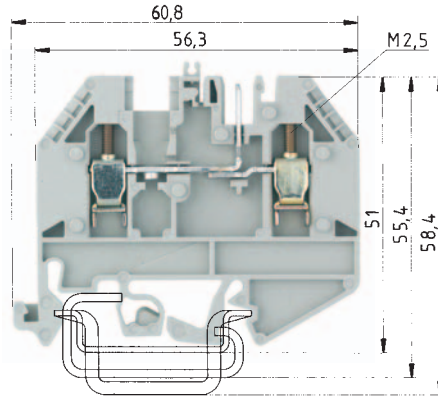
Ground Disconnect terminal with Neon Lamp 110 - 220 V_≈



- (g) yellow status display lights up
- (h) yellow indicator light not flashing

Modular terminal block with socket for PCB pluggable connector

selos PLUG S



for PC board terminal type:

Type 8113 B
Type 8313 B
Type 8113 B/VL
Type 8113 B/VR
Type 8113 B/Top

Indicator: R = 4.7 K; 0.5 W
Lamp color: red

¹⁾ voltage rating determined by lamp / LED

WK 2,5 U/D/8113 S/V

fine-stranded solid	V	A
0.5 – 2.5 mm ² 0.5 – 4 mm ²	250 V/4 kV/3	12
No. 22-12 AWG	300 V	15
No. 24-12 AWG	300 V	15
Width	5 mm	9 mm



WK 2,5 U/D/8113 S/V/LED 25

fine-stranded solid	V	A
0.5 – 2.5 mm ² 0.5 – 4 mm ²	¹⁾	12
No. 22-12 AWG	300 V	15
No. 24-12 AWG	300 V	15
Width	5 mm	9 mm

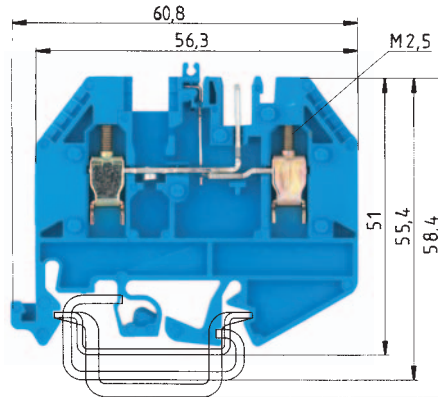
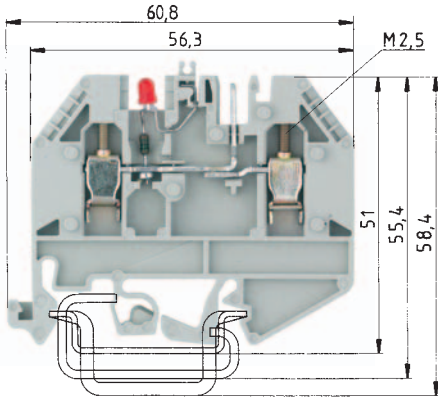


EN 60 947-7-1/DIN VDE 0611 T1	
UL ratings	field/factory wiring
CSA ratings	
Width	Wire strip length
Approvals	

	Type	Part No.	Std. Pack	Type	Part No.	Std. Pack
Pluggable terminal gray	WK 2,5 U/D/8113 S/V...	57.503.2155.0	50			
Pluggable terminal with LED 25 V ¹⁾ gray				WK 2,5 U/D/8113 S/V/LED 25	57.503.2255.0	50
Pluggable terminal with LED 50 V ¹⁾ gray						
Supply terminal blue						
PCB Pluggable connector type 8113 (in wiecon section)						
Accessories						
1. Mounting rail TS 35, DIN rail, 7.5 mm high L = 2 m	35 x 27 x 7,5 EN 60715	98.300.0000.0	1	35 x 27 x 7,5 EN 60715	98.300.0000.0	1
Mounting rail TS 35, DIN rail 15 mm high L = 2 m	35 x 24 x 15 EN 60715	98.360.0000.0	1	35 x 24 x 15 EN 60715	98.360.0000.0	1
Mounting rail TS 35, G rail L = 2 m	9006 EN 60715 G-32	98.190.0000.0	1	9006 EN 60715 G-32	98.190.0000.0	1
2. End clamp with U-foot 10 mm wide	2/U	Z5.523.5653.0	100	WE 2/U	Z5.523.5653.0	100
End clamp TS 35 with screw 8 mm wide	9708/2 S 35	Z5.522.8553.0	100	9708/2 S 35	Z5.522.8553.0	100
End clamp TS 32 with screw 7.5 mm wide	9708	Z5.522.7053.0	100	9708	Z5.522.7053.0	100
3. End plate 2.5 mm thick gray	AP 2,5 U/D/8113 S/V	07.311.9055.0	10	AP 2,5 U/D/8113 S/V	07.311.9055.0	10
End plate 2.5 mm thick blue						
4. Spacer 2.5 mm thick gray	ZP 2,5 U/D/8113 S/V	07.311.9155.0	10	ZP 2,5 U/D/8113 S/V	07.311.9155.0	10
Spacer 2.5 mm thick blue						
use for 7.5 mm pitch pluggable connectors						
5. Cross connector with screws, 2 pole	IVB WK 2,5-2	Z7.280.2227.0	10	IVB WK 2,5-2	Z7.280.2227.0	10
E-Cu, insulated 3 pole	IVB WK 2,5-3	Z7.280.2327.0	10	IVB WK 2,5-3	Z7.280.2327.0	10
12 pole	IVB WK 2,5-12	Z7.280.3227.0	10	IVB WK 2,5-12	Z7.280.3227.0	10
6. LED bus bar, tin-plated brass L = 0.4 m					05.561.4125.0 ¹⁾	1
7. Cover strip for LED (transparent)	AD VB 5/10 P	04.342.3556.8	10	AD VB 5/10 P	04.342.3556.8	10
8. Single cover f. cross conn. with mark.facility	AD VB 2,5 GELB	04.326.2053.8	10	AD VB 2,5 GELB	04.326.2053.8	10
9. Cover strip for PCB terminal 24 pole		04.343.9056.8	10		04.343.9056.8	10
with warning symbol 24 pole		04.343.9156.8	10		04.343.9156.8	10
10. Snap-in partition	TS 2,5 GELB	07.311.2053.8	10	TS 2,5 GELB	07.311.2053.8	10
11. Coding strip		05.561.0053.0	100		05.561.0053.0	100
12. Locking piece 10 pole						
For marking systems see pages 230-237						
¹⁾ For jumpering the negative potential for the LED blocks						

Modular terminal block with socket for PCB pluggable connector

setos



Indicator: R = 10 K; 0.5 W
Lamp color: red

¹⁾ voltage rating determined by lamp / LED

WK 2,5 U/D/8113 S/V/LED 50

fine-stranded	solid	V	A
0.5 – 2.5 mm ²	0.5 – 4 mm ²	¹⁾	12
No. 22-12 AWG		300 V	15
No. 24-12 AWG		300 V	15
5 mm			9 mm



WK 2,5 U/D/8113 S/V/VK

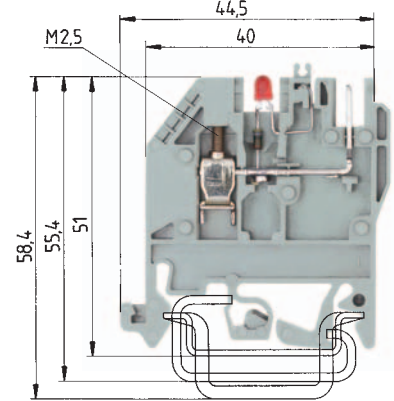
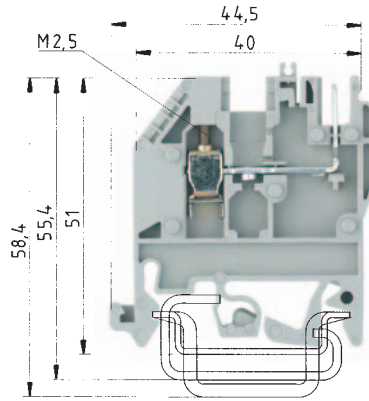
fine-stranded	solid	V	A
0.5 – 2.5 mm ²	0.5 – 4 mm ²	250 V/4 kV/3	12
No. 22-12 AWG		300 V	15
No. 24-12 AWG		300 V	15
5 mm			9 mm



Type	Part No.	Std. Pack	Type	Part No.	Std. Pack
WK 2,5 U/D/8113 S/V/LED 50	57.503.2355.0	50	WK 2,5 U/D/8113 S/V/VK	57.503.2555.6	50
35 x 27 x 7,5 EN 60715	98.300.0000.0	1	35 x 27 x 7,5 EN 60715	98.300.0000.0	1
35 x 24 x 15 EN 60715	98.360.0000.0	1	35 x 24 x 15 EN 60715	98.360.0000.0	1
9006 EN 60715 G-32	98.190.0000.0	1	9006 EN 60715 G-32	98.190.0000.0	1
WE 2/U	Z5.523.5653.0	100	WE 2/U	Z5.523.5653.0	100
9708/2 S 35	Z5.522.8553.0	100	9708/2 S 35	Z5.522.8553.0	100
9708	Z5.522.7053.0	100	9708	Z5.522.7053.0	100
AP 2,5 U/D/8113 S/V	07.311.9055.0	10	AP 2,5 U/D/8113 S/V	07.311.9055.0	10
ZP 2,5 U/D/8113 S/V	07.311.9155.0	10	ZP 2,5 U/D/8113 S/V	07.311.9155.0	10
IVB WK 2,5-2	Z7.280.2227.0	10	IVB WK 2,5-2	Z7.280.2227.0	10
IVB WK 2,5-3	Z7.280.2327.0	10	IVB WK 2,5-3	Z7.280.2327.0	10
IVB WK 2,5-12	Z7.280.3227.0	10	IVB WK 2,5-12	Z7.280.3227.0	10
	05.561.4125.0 ¹⁾	1		05.561.4125.0 ¹⁾	1
AD VB 5/10 P	04.342.3556.8	10	AD VB 5/10 P	04.342.3556.8	10
AD VB 2,5 GELB	04.326.2053.8	10	AD VB 2,5 GELB	04.326.2053.8	10
	04.343.9056.8	10		04.343.9056.8	10
	04.343.9156.8	10		04.343.9156.8	10
TS 2,5 GELB	07.311.2053.8	10	TS 2,5 GELB	07.311.2053.8	10
	05.561.0053.0	100		05.561.0053.0	100

Modular terminal block with socket for PCB pluggable connector

selos PLUG S



for PCB terminal types:

Type 8113 B
Type 8313 B
Type 8113 B/VL
Type 8113 B/VR
Type 8113 B/Top

Indicator: R = 4.7 K; 0.5 W
Lamp color: red

¹⁾ voltage rating determined by lamp / LED

WK 2,5 U/8113 S/V

fine-stranded solid V A
0.5 – 2.5 mm² 0.5 – 4 mm² 250 V/4 kV/3 12
No. 22-12 AWG 300 V 15
No. 24-12 AWG 300 V 15
5 mm 9 mm



WK 2,5 U/8113 S/V/LED 25

fine-stranded solid V A
0.5 – 2.5 mm² 0.5 – 4 mm² ¹⁾ 12
No. 22-12 AWG 300 V 15
No. 24-12 AWG 300 V 15
5 mm 9 mm



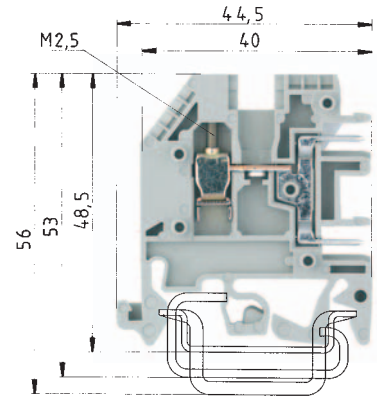
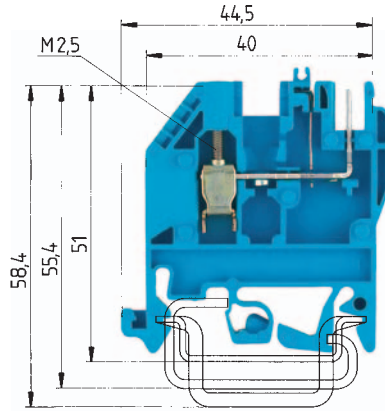
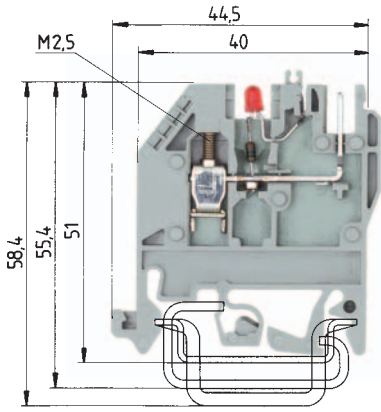
DIN VDE 0110
UL ratings
CSA ratings
Width
Approvals

field/factory wiring
Wire strip length

	Type	Part No.	Std. Pack	Type	Part No.	Std. Pack
Pluggable terminal	gray	WK 2,5 U/8113 S/V...	57.503.2655.0 50			
Pluggable terminal with LED 25 V ¹⁾	gray			WK 2,5 U/8113 S/V/LED 25	57.503.2755.0 50	
Pluggable terminal with LED 50 V ¹⁾	gray					
Supply terminal	blue					
Pluggable terminal with pluggable connection for PCB						
PCB Pluggable connector type 8113 (in wiecon section)						
Accessories						
1. Mounting rail TS 35, DIN rail, 7.5 mm high L = 2 m		35 x 27 x 7,5 EN 60715	98.300.0000.0 1	35 x 27 x 7,5 EN 60715	98.300.0000.0 1	
Mounting rail TS 35, DIN rail 15 mm high L = 2 m		35 x 24 x 15 EN 60715	98.360.0000.0 1	35 x 24 x 15 EN 60715	98.360.0000.0 1	
Mounting rail TS 35, G rail L = 2 m		9006 EN 60715 G-32	98.190.0000.0 1	9006 EN 60715 G-32	98.190.0000.0 1	
2. End clamp with U-foot 10 mm wide		2/U	Z5.523.5653.0 100	WE 2/U	Z5.523.5653.0 100	
End clamp TS 35 with screw 8 mm wide		9708/2 S 35	Z5.522.8553.0 100	9708/2 S 35	Z5.522.8553.0 100	
End clamp TS 32 with screw 7.5 mm wide		9708	Z5.522.7053.0 100	9708	Z5.522.7053.0 100	
3. End plate for right side, 2.5 mm thick gray		AP 2,5 U/8113 S/V	07.312.1555.0 10	AP 2,5 U/8113 S/V	07.312.1555.0 10	
End plate for left side, 2.5 mm thick gray		AP 2,5 U/8113	07.312.4655.0 10	AP 2,5 U/8113	07.312.4655.0 10	
End plate 2.5 mm thick blue						
4. Spacer, right side, 2.5 mm thick gray		ZP 2,5 U/8113 S/V	07.312.1655.0 10	ZP 2,5 U/8113 S/V	07.312.1655.0 10	
Spacer 2.5 mm thick blue						
use for 7.5 mm pitch pluggable connectors						
5. Cross connector with screws, 2 pole		IVB WK 2,5-2	Z7.280.2227.0 10			
E-Cu, insulated 3 pole		IVB WK 2,5-3	Z7.280.2327.0 10			
12 pole		IVB WK 2,5-12	Z7.280.3227.0 10			
6. LED bus bar, tin-plated brass L = 0.4 m					05.561.4125.0 1	
7. Cover strip for LED (transparent)						
8. Single cover f. cross conn. with marking facility		AD VB 2,5 GELB	04.326.2053.8 10	AD VB 2,5 GELB	04.326.2053.8 10	
9. Cover strip for PCB terminal 24 pole			04.343.9056.8 10		04.343.9056.8 10	
with warning symbol 24 pole			04.343.9156.8 10		04.343.9156.8 10	
10. Snap-in partition plate		TS 2,5 GELB	07.311.2053.8 10	TS 2,5 GELB	07.311.2053.8 10	
11. Coding strip			05.561.0053.0 100		05.561.0053.0 100	
12. Locking piece 10 pole						
For marking systems see page 230-237						

Modular terminal block with socket for PCB pluggable connector

setos



Indicator: R = 10 K; 0.5 W
Lamp color: red

¹⁾ voltage rating determined by lamp / LED

WK 2,5 U/8113 S/V/LED 50

fine-stranded solid	V	A
0.5 – 2.5 mm ² 0.5 – 4 mm ²	¹⁾	12
No. 22-12 AWG	300 V	15
No. 24-12 AWG	300 V	15
5 mm		9 mm



WK 2,5 U/8113 S/V/VK

fine-stranded solid	V	A
0.5 – 2.5 mm ² 0.5 – 4 mm ²	250 V/4 kV/3	12
No. 22-12 AWG	300 V	15
No. 24-12 AWG	300 V	15
5 mm		9 mm



WK 2,5 U/D/8113 S/H

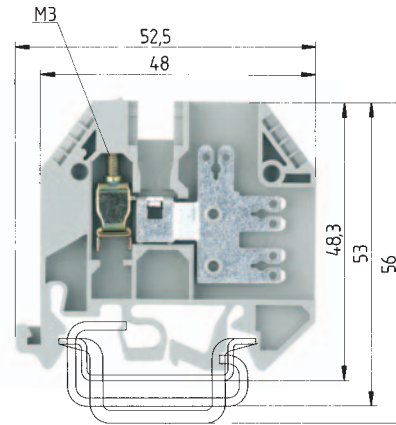
fine-stranded solid	V	A
0.5 – 2.5 mm ² 0.5 – 4 mm ²	250 V/4 kV/3	12
No. 22-12 AWG	300 V	20
No. 24-12 AWG	300 V	15
5 mm		9 mm



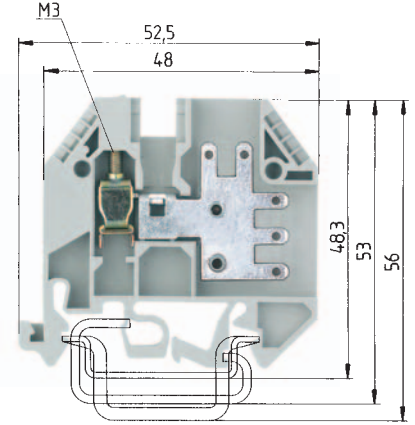
Type	Part No.	Std. Pack	Type	Part No.	Std. Pack	Type	Part No.	Std. Pack
WK 2,5 U/8113 S/V/LED 50	57.503.2855.0	50	WK 2,5 U/8113 S/V/VK	57.503.3055.6	50	WK 2,5 U/8113 S/H	57.503.2055.0	100
35 x 27 x 7,5 EN 60715	98.300.0000.0	1	35 x 27 x 7,5 EN 60715	98.300.0000.0	1	35 x 27 x 7,5 EN 60715	98.300.0000.0	1
35 x 24 x 15 EN 60715	98.360.0000.0	1	35 x 24 x 15 EN 60715	98.360.0000.0	1	35 x 24 x 15 EN 60715	98.360.0000.0	1
9006 EN 60715 G-32	98.190.0000.0	1	9006 EN 60715 G-32	98.190.0000.0	1	9006 EN 60715 G-32	98.190.0000.0	1
WE 2/U	Z5.523.5653.0	100	WE 2/U	Z5.523.5653.0	100	WE 2/U	Z5.523.5653.0	100
9708/2 S 35	Z5.522.8553.0	100	9708/2 S 35	Z5.522.8553.0	100	9708/2 S 35	Z5.522.8553.0	100
9708	Z5.522.7053.0	100	9708	Z5.522.7053.0	100	9708	Z5.522.7053.0	100
AP 2,5 U/8113 S/V	07.312.1555.0	10	AP 2,5 U/8113	07.312.4655.0	10	AP 2,5 U/8113 S/H	07.311.9855.0	10
AP 2,5 U/8113	07.312.4655.0	10	AP 2,5 U/8113 S/V BL	07.312.1555.6	10			
ZP 2,5 U/8113 S/V	07.312.1655.0	10	ZP 2,5 U/8113 S/V	07.312.1655.0	10			
			ZP 2,5 U/8113 S/V BL	07.312.1655.6	10			
			IVB WK 2,5-2	Z7.280.2227.0	10	IVB WK 2,5-2	Z7.280.2227.0	10
			IVB WK 2,5-3	Z7.280.2327.0	10	IVB WK 2,5-3	Z7.280.2327.0	10
			IVB WK 2,5-12	Z7.280.3227.0	10	IVB WK 2,5-12	Z7.280.3227.0	10
	05.561.4125.0	1						
AD VB 2,5 GELB	04.326.2053.8	10	AD VB 2,5 GELB	04.326.2053.8	10	AD VB 2,5 GELB	04.326.2053.8	10
	04.343.9056.8	10		04.343.9056.8	10			
	04.343.9156.8	10		04.343.9156.8	10			
TS 2,5 GELB	07.311.2053.8	10	TS 2,5 GELB	07.311.2053.8	10	TS 2,5 GELB	07.311.2053.8	10
	05.561.0053.0	100		05.561.0053.0	100		05.584.0053.0	100
							05.576.5853.0	25

Feed-through terminal blocks with screw/push-on connection

selos PLUG S



Push-on connectors 2.8 x 0.8 according to DIN 46247
Push-on connectors 6.3 x 0.8 according to DIN 46247



Push-on connectors 2.8 x 0.8 according to DIN 46247

Ratings for use of insulating sleeves
EN 60 947-7-1, EN 61 210
UL ratings field/factory wiring
CSA ratings
Width Wire strip length
Approvals

WK 4 3-6 S 1 K/U

fine-stranded solid	V	A
0.5 – 4 mm ² 0.5 – 6 mm ²	800 V/8 kV/3	20 ^{*)}
No. 22-12 AWG	300 V	10
No. 22-12 AWG	300 V	10
6 mm		9 mm

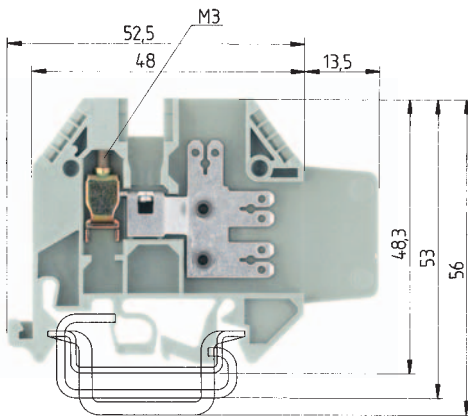
WK 4 5 S 2,8 1 K/U

fine-stranded solid	V	A
0.5 – 4 mm ² 0.5 – 6 mm ²	800 V/8 kV/3	20 ^{*)}
No. 22-12 AWG	300 V	10
No. 22-12 AWG	300 V	10
6 mm		9 mm

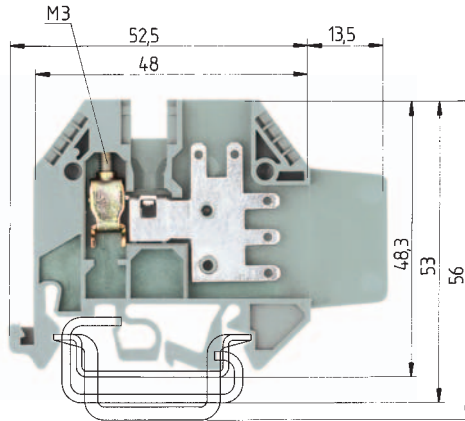
	Type	Part No.	Std. Pack	Type	Part No.	Std. Pack
Terminal block with screw and push-on connectors						
Push-on with 6 connectors 2.8 x 0.8	gray	WK 4 3-6 S 1 K/U	57.504.3755.0	100		
Push-on with 5 connectors 2.8 x 0.8	gray				WK 4 5 S 2,8 1 K/U	57.504.3855.0 100
Distribution terminal						
Push-on with 10 connectors	gray					
Accessories						
1. Mounting rail TS 35, DIN rail, 7.5 mm high L = 2 m		35 x 27 x 7,5 EN 60715	98.300.0000.0	1	35 x 27 x 7,5 EN 60715	98.300.0000.0 1
Mounting rail TS 35, DIN rail 15 mm high L = 2 m		35 x 24 x 15 EN 60715	98.360.0000.0	1	35 x 24 x 15 EN 60715	98.360.0000.0 1
Mounting rail TS 35, G rail L = 2 m		9006 EN 60715 G-32	98.190.0000.0	1	9006 EN 60715 G-32	98.190.0000.0 1
2. End clamp with U-foot 10 mm wide		2/U	Z5.523.5653.0	100	WE 2/U	Z5.523.5653.0 100
End clamp TS 35 with screw 8 mm wide		9708/2 S 35	Z5.522.8553.0	100	9708/2 S 35	Z5.522.8553.0 100
End clamp TS 32 with screw 7.5 mm wide		9708	Z5.522.7053.0	100	9708	Z5.522.7053.0 100
3. End plate, 1.5 mm thick	gray	AP4 3 S 1 K	07.311.3855.0	10	AP4 3 S 1 K	07.311.3855.0 10
	blue					
4. Insulating housing for push-on connector	yellow					
for H0. V-K 1.5 mm ²			05.592.7553.0	2000		05.592.7553.0 2000
for H0. V-K 2.5 mm ²			05.592.7653.0	2000		05.592.7653.0 2000
5. Cross connector with screws, E-Cu,						
insulated	2 pole	IVB WK 4-2	Z7.281.1227.0	10	IVB WK 4-2	Z7.281.1227.0 10
	3 pole	IVB WK 4-3	Z7.281.1327.0	10	IVB WK 4-3	Z7.281.1327.0 10
	to 12 pole	IVB WK 4-12	Z7.281.2227.0	10	IVB WK 4-12	Z7.281.2227.0 10
6. Jumper rail, tin-plated brass	L = 0.4 m					
7. Cover strip for LED (transparent)						
8. Single cover f. cross conn. with marking facility		AD VB 4 GELB	04.326.2153.8	10	AD VB 4 GELB	04.326.2153.8 10
9. Cover strip for cross conn. over 10 blocks		AD VB 6/10 GELB	04.342.0656.8	10	AD VB 6/10 GELB	04.342.0656.8 10
10. Partition plate		TS 4 GELB	07.311.2153.8	10	TS 4 GELB	07.311.2153.8 10
11. Coding strip						
For marking systems see pages 230-237						
*) Current carrying capability according to DIN 46249						

Feed-through terminal blocks with screw/push-on connection

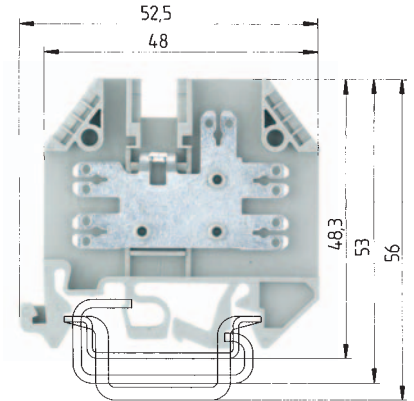
SELOS



Push-on connectors 2.8 x 0.8 according to DIN 46247
Push-on connectors 6.3 x 0.8 according to DIN 46247



Push-on connectors 2.8 x 0.8 according to DIN 46247



Push-on connectors 2.8 x 0.8 according to DIN 46247
Push-on connectors 6.3 x 0.8 according to DIN 46247

WK 4-3-6 S 1 K/IW/U

	V	A
fine-stranded solid		
0.5 – 4 mm ² 0.5 – 6 mm ²	800 V/8 kV/3	20 ^{*)}
No. 22-12 AWG	600 V	10
No. 22-12 AWG	300 V	10
6 mm		9 mm



WK 4-5 S 2,8 1 K/IW/U

	V	A
fine-stranded solid		
0.5 – 4 mm ² 0.5 – 6 mm ²	800 V/8 kV/3	20 ^{*)}
No. 22-12 AWG	600 V	10
No. 22-12 AWG	300 V	10
6 mm		9 mm



WK/5-10 S/U

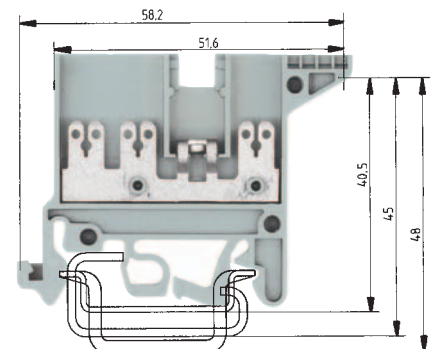
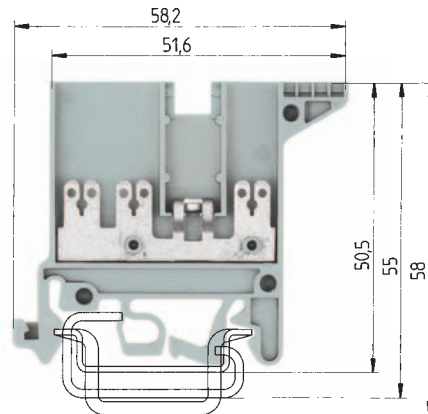
	V	A
fine-stranded solid		
	800 V/8 kV/3	20 ^{*)}
	300 V	10
No. 22-12 AWG	300 V	10
6 mm		



Type	Part No.	Std. Pack	Type	Part No.	Std. Pack	Type	Part No.	Std. Pack
WK 4-3-6 S 1 K/IW/U	57.504.2755.0	100	WK 4-5 S 2,8 1 K/IW/U	57.504.2855.0	100	WK/5-10 S/U	57.504.3655.0	100
35 x 27 x 7,5 EN 60715	98.300.0000.0	1	35 x 27 x 7,5 EN 60715	98.300.0000.0	1	35 x 27 x 7,5 EN 60715	98.300.0000.0	1
35 x 24 x 15 EN 60715	98.360.0000.0	1	35 x 24 x 15 EN 60715	98.360.0000.0	1	35 x 24 x 15 EN 60715	98.360.0000.0	1
9006 EN 60715 G-32	98.190.0000.0	1	9006 EN 60715 G-32	98.190.0000.0	1	9006 EN 60715 G-32	98.190.0000.0	1
WE 2/U	Z5.523.5653.0	100	WE 2/U	Z5.523.5653.0	100	WE 2/U	Z5.523.5653.0	100
9708/2 S 35	Z5.522.8553.0	100	9708/2 S 35	Z5.522.8553.0	100	9708/2 S 35	Z5.522.8553.0	100
9708	Z5.522.7053.0	100	9708	Z5.522.7053.0	100	9708	Z5.522.7053.0	100
AP4 3 S 1 K	07.311.3855.0	10	AP4 3 S 1 K	07.311.3855.0	10	AP 5 S	07.311.4655.0	10
	05.592.7553.0	2000		05.592.7553.0	2000		05.592.7553.0	2000
	05.592.7653.0	2000		05.592.7653.0	2000		05.592.7653.0	2000
IVB WK 4-2	Z7.281.1227.0	10	IVB WK 4-2	Z7.281.1227.0	10	IVB WKI 4-2	Z7.271.4227.0	10
IVB WK 4-3	Z7.281.1327.0	10	IVB WK 4-3	Z7.281.1327.0	10	IVB WKI 4-3	Z7.271.4327.0	10
IVB WK 4-12	Z7.281.2227.0	10	IVB WK 4-12	Z7.281.2227.0	10	IVB WKI 4-12	Z7.271.5227.0	10
AD VB 4 GELB	04.326.2153.8	10	AD VB 4 GELB	04.326.2153.8	10	AD VB 4 GELB	04.326.2153.8	10
AD VB 6/10 GELB	04.342.0656.8	10	AD VB 6/10 GELB	04.342.0656.8	10	AD VB 6/10 GELB	04.342.0656.8	10
TS 4 GELB	07.311.2153.8	10	TS 4 GELB	07.311.2153.8	10	TS 4 GELB	07.311.2153.8	10

Distribution terminals for push-on connectors

selos PLUG S



Current carrying capability in accordance with
DIN 46249

Push-on connector	2.8	10 A
	6.3	20 A

Current carrying capability in accordance with
EN 60 947-7-1, EN 61 210

UL ratings	field/factory wiring
CSA ratings	
Width	Wire strip length
Approvals	

Push-on connectors 2.8 x 0.8 according to DIN 46247
Push-on connectors 6.3 x 0.8 according to DIN 46247

WK/3-6 S/IW/U

fine-stranded	solid	V	A
0.5 – 4 mm ²	0.5 – 6 mm ²	800 V/8 kV/3	20
		600 V	10
No. 22-12 AWG		300 V	10
6 mm			



Push-on connectors 2.8 x 0.8 according to DIN 46247
Push-on connectors 6.3 x 0.8 according to DIN 46247

WK/3-6 S/U

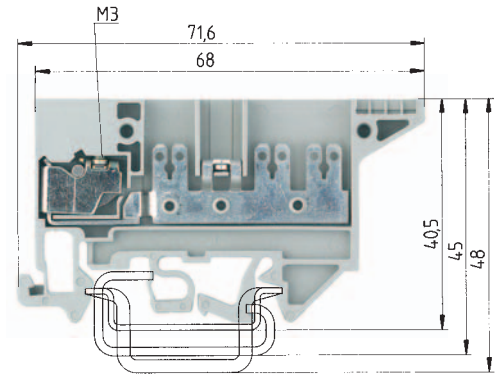
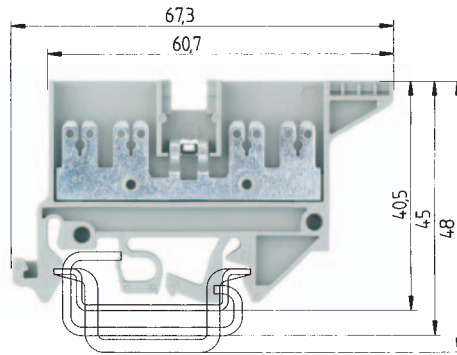
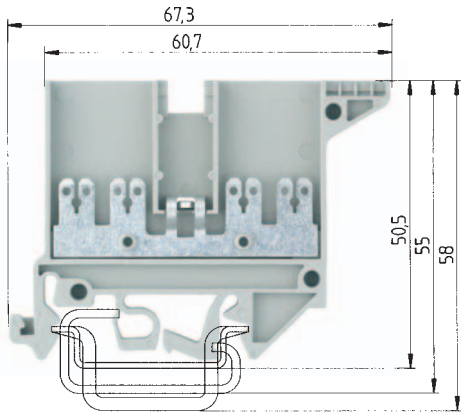
fine-stranded	solid	V	A
		800 V/8 kV/3	20
		300 V	10
No. 24-12 AWG		300 V	10
6 mm			



	Type	Part No.	Std. Pack	Type	Part No.	Std. Pack
Distribution terminals						
with 6 push-on connectors 2.8 x 0.8 gray	WK/3-6 S/IW/U	57.504.6755.0	100	WK/3-6 S/U	57.504.6655.0	100
Rapid mounting feed-through block						
Accessories						
1. Mounting rail TS 35, DIN rail, 7.5 mm high L = 2 m	35 x 27 x 7.5 EN 60715	98.300.0000.0	1	35 x 27 x 7.5 EN 60715	98.300.0000.0	1
Mounting rail TS 35, DIN rail 15 mm high L = 2 m	35 x 24 x 15 EN 60715	98.360.0000.0	1	35 x 24 x 15 EN 60715	98.360.0000.0	1
Mounting rail TS 35, G rail L = 2 m	9006 EN 60715 G-32	98.190.0000.0	1	9006 EN 60715 G-32	98.190.0000.0	1
2. End clamp with U-foot 10 mm wide	2/U	Z5.523.5653.0	100	WE 2/U	Z5.523.5653.0	100
End clamp TS 35 with screw 8 mm wide	9708/2 S 35	Z5.522.8553.0	100	9708/2 S 35	Z5.522.8553.0	100
End clamp TS 32 with screw 7.5 mm wide	9708	Z5.522.7053.0	100	9708	Z5.522.7053.0	100
3. End plate, 2.5 mm thick gray	AP 3 S/IW	07.311.4555.0	50	AP 3 S	07.311.4455.0	50
End plate 2.5 mm thick blue						
4. Insulating sleeve for tab connector yellow						
for H0. V-K 1.5 mm ²		05.592.7553.0	2000		05.592.7553.0	2000
for H0. V-K 2.5 mm ²		05.592.7653.0	2000		05.592.7653.0	2000
5. Cross connector with screws, E-Cu, uninsulated						
2 pole	VB WK/...S/IW/U-2	Z7.281.3227.0	10	9703/6-2	Z7.211.0227.0	50
3 pole	VB WK/...S/IW/U-3	Z7.281.3327.0	10	9703/6-3	Z7.211.0327.0	50
to 6 pole	VB WK/...S/IW/U-6	Z7.281.3627.0	10	9703/6-6	Z7.211.0627.0	50
6. Jumper rail, tin-plated brass L = 0.4 m						
7. Cover strip for LED (transparent)						
8. Single cover f. cross conn. with marking facility	AD VB 4 GELB	04.326.2153.8	10	AD VB 4 GELB	04.326.2153.8	10
9. Cover strip for cross conn. over 10 blocks	AD VB 6-10 GELB	04.342.0656.8	10	AD VB 6-10 GELB	04.342.0656.8	10
Cover strip with warning symbol over 4 blocks						
10. Snap-on partition plate	TS 4 GELB	07.311.2153.8	10	TS 4 GELB	07.311.2153.8	10
11. Coding piece						
For marking systems see page 230-237						

Distribution terminals for push-on connectors

selos



Push-on connectors 2.8 x 0.8 according to DIN 46247
Push-on connectors 6.3 x 0.8 according to DIN 46247

Push-on connectors 2.8 x 0.8 according to DIN 46247
Push-on connectors 6.3 x 0.8 according to DIN 46247

Push-on connectors 2.8 x 0.8 according to DIN 46247
Push-on connectors 6.3 x 0.8 according to DIN 46247

WK/4-8 S/IW/U

fine-stranded solid V A
800 V/8 kV/3 20
600 V 10
No. 22-12 AWG 300 V 10
6 mm



WK/4-8 S/U

fine-stranded solid V A
800 V/8 kV/3 20
300 V 10
No. 22-12 AWG 300 V 10
6 mm



WK/3-6 S KO/U

fine-stranded solid V A
0.5 – 4 mm² 690 V/8 kV/3 20
No. 22-12 AWG 300 V 10
No. 22-12 AWG 300 V 10
6 mm 9 mm

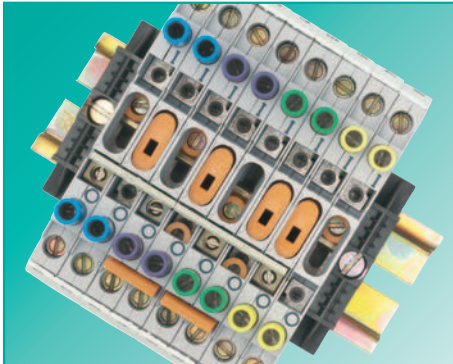


Type	Part No.	Std. Pack	Type	Part No.	Std. Pack	Type	Part No.	Std. Pack
WK/4-8 S/IW/U	57.504.6355.0	100	WK/4-8 S/U	57.504.6255.0	100	WK/3-6 S KO/U	57.504.7355.0	100
35 x 27 x 7,5 EN 60715	98.300.0000.0	1	35 x 27 x 7,5 EN 60715	98.300.0000.0	1	35 x 27 x 7,5 EN 60715	98.300.0000.0	1
35 x 24 x 15 EN 60715	98.360.0000.0	1	35 x 24 x 15 EN 60715	98.360.0000.0	1	35 x 24 x 15 EN 60715	98.360.0000.0	1
9006 EN 60715 G-32	98.190.0000.0	1	9006 EN 60715 G-32	98.190.0000.0	1	9006 EN 60715 G-32	98.190.0000.0	1
WE 2/U	Z5.523.5653.0	100	WE 2/U	Z5.523.5653.0	100	WE 2/U	Z5.523.5653.0	100
9708/2 S 35	Z5.522.8553.0	100	9708/2 S 35	Z5.522.8553.0	100	9708/2 S 35	Z5.522.8553.0	100
9708	Z5.522.7053.0	100	9708	Z5.522.7053.0	100	9708	Z5.522.7053.0	100
AP 4 S/IW	07.311.4355.0	50	AP 4 S	07.311.4255.0	10	9701 A/6 1 S KO TP 2	07.310.5855.0	50
	05.592.7553.0	2000		05.592.7553.0	2000		05.592.7553.0	2000
	05.592.7653.0	2000		05.592.7653.0	2000		05.592.7653.0	2000
VB WK/...S/IW/U-2	Z7.281.3227.0	10	9703/6-2	Z7.211.0227.0	50	2072/2	Z7.220.0227.0	50
VB WK/...S/IW/U-3	Z7.281.3327.0	10	9703/6-3	Z7.211.0327.0	50	2072/2	Z7.220.0227.0	50
VB WK/...S/IW/U-6	Z7.281.3627.0	10	9703/6-6	Z7.211.0627.0	50	2072/6	Z7.220.0627.0	50
AD VB 4 GELB	04.326.2153.8	10	AD VB 4 GELB	04.326.2153.8	10			
AD VB 6-10 GELB	04.342.0656.8	10	AD VB 6-10 GELB	04.342.0656.8	10			
TS 4 GELB	07.311.2153.8	10	TS 4 GELB	07.311.2153.8	10			

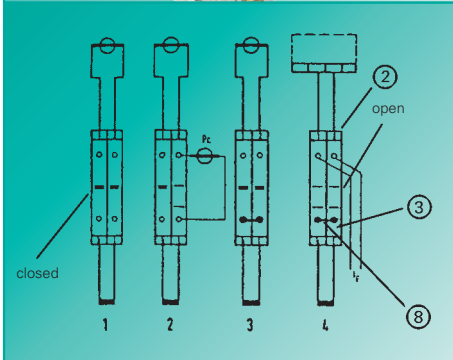
selos

Current transformer disconnect terminals

selos



Current transformer circuits must always have a closed secondary circuit. This rule applies even when changing measuring instruments or electric meters and when carrying out reference measurements with external measuring instruments.



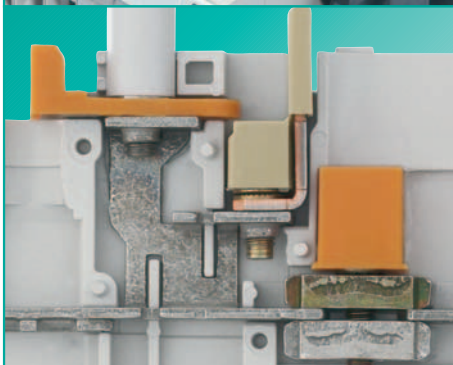
❑ **The WKT-Terminal Block Series meets all circuit applications with the addition of select accessories.**

→ This modular concept reduces inventory and component costs.



❑ **All components including the terminal block and accessories are insulated.**

→ Test points are touch safe to the standard VGB4
→ Sliding link and jumper bars are touch safe.



❑ **Compact design:**

→ Easy to operate Sliding-Link

→ The insulated housing on the Sliding-Link provides a guide for the screwdriver blade. This prevents the blade from accidentally slipping off the screw head. The insulated housing also provides visual indication of the circuit status (open or closed).

→ Jumper Bars
→ Sliding Shorting Bars
→ Test plug socket

→ Accessories are easily installed with a screwdriver, even the test plugs.



❑ **Safe operation of the sliding shorting bar:
The sliding shorting bar is touch safe.**

→ The sliding shorting bar is designed such that the test plug socket remains available for testing.

Current transformer disconnect terminals

selos



Insulated Jumpering System

Distribution of the K - potential is possible due to the open slots for both the sliding shorting bar and the stationary jumper bar. Commoning every other terminal is possible by removing every other pole from the stationary jumper bar.



Insulated Test sockets

The test sockets accept Wieland standard plugs or commercially available safety plugs with a diameter of 4 mm.

This allows current tests without shut-down.



The **sliding disconnect** locking device prevents tampering of the disconnect screw. The locking device can lock the screw in open or closed position. This device is easily installed into the top of the terminal block. Removing the locking device requires a standard screwdriver.



Marking capability with the standard Wieland **marking system**.

- Single marking tags in the same pitch as the terminal block
- Snap-on marking strips (10 individual marking tags per strip) for rapid marking
- Tear-off marking strips for marking up to 3-digits per terminal block

DQS certificates for all product families

- Quality standard as per DIN ISO 9001
- in Development, Production, Assembly
- Continued control of the quality standard by means of regular internal and external quality audits
- Compatible with certificates of other countries:
 - BSI Certificate, Great Britain
 - SQS Certificate, Switzerland
 - Ajb-Vincotte Certificate, Belgium
 - ÖQS Certificate, Austria

Material

- Special alloys and surface treatments
- Low contact resistance
- High corrosion resistance

Metal parts

Clamping body/clamping screws: steel, zinc-plated and dichromated

Current carrying bar: Tin plated copper alloy

Insulation material

Polyamide 66/6 for its excellent electrical, chemical and mechanical characteristics

(see section **facts & DATA**)

Material according to US standard UL 94-V0

You can use our **wieplan** software to configure your own terminal block assemblies (see page 36/37).

Note:

The information regarding cross sectional area and connection types pertains to unprepared wires without ferrules.

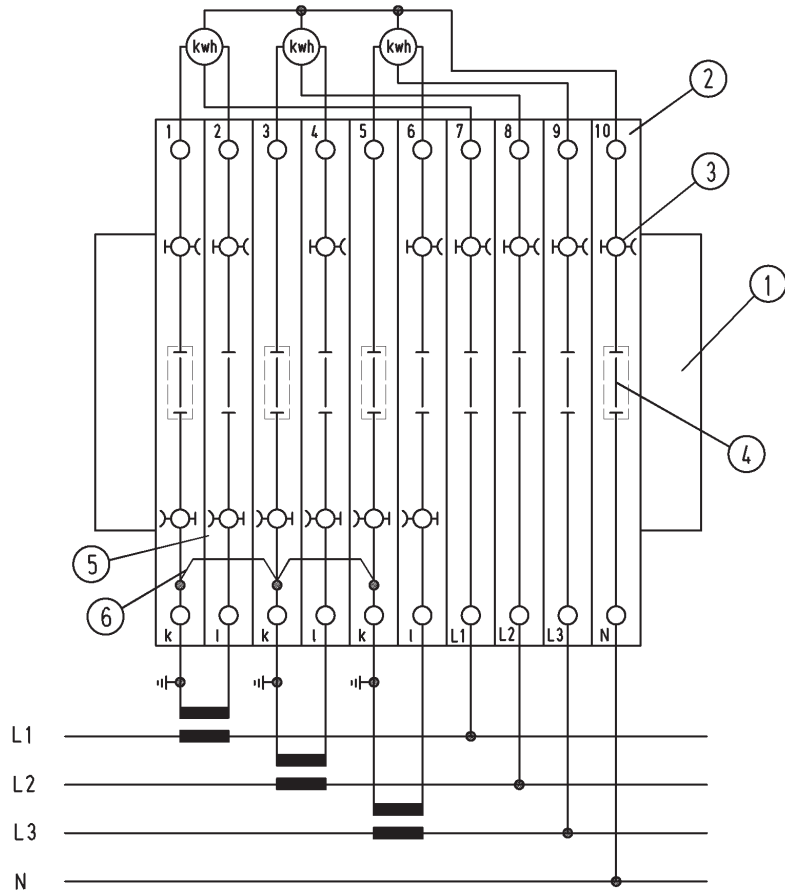
The voltage ratings apply to the terminals in their intended application. When different products are mounted adjacent to each other, the proper isolation distances must be adhered to. For this purpose, **Wieland** offers a large selection of appropriate accessories.

A detailed description of technical data, the standards' requirements, and the application conditions can be found in part **facts & DATA**.

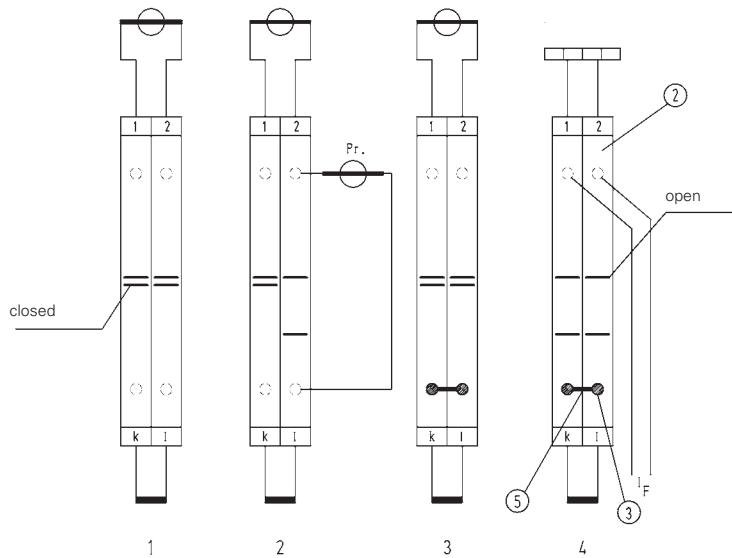


Current transformer disconnect terminal block

selos



Pos.	Type	Part No.	Std. Pack
1.	WE 1/4	Z5.523.5753.0	100
2.	WK6 TK/35	56.106.0553.0	50
3.	SB 4 GRAU	05.511.2953.0	10
4.	SB WK6 TK	05.563.5453.0	50
5.	IVS WK6 TK-2	Z7.212.2227.0	50
for a common K-potential			
6.	IVB WK6 TK-5	Z7.212.1527.0	50

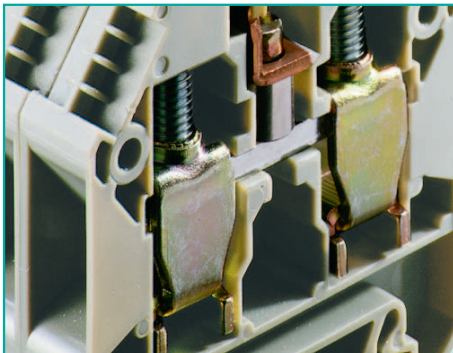


Simple current transformer circuits

- 1 = normal operation
- 2 = measured value testing
- 3 = transformer short circuit
- 4 = relay testing

Terminal blocks with screw connection for junction boxes, type WKI

selos BIT



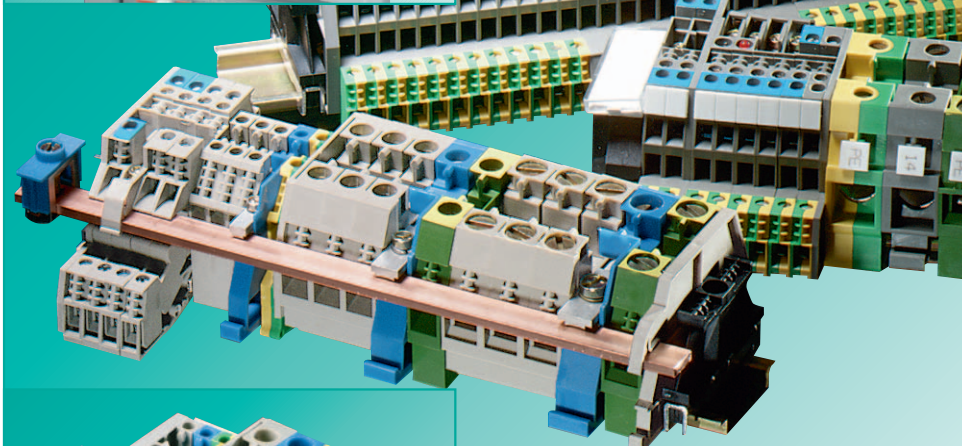
WKI provides ...

- ❑ **Screw connection technology**
in rising cage clamp system with one-piece threaded collar



- ❑ **Convenient handling**

- ❑ **Neutral conductor disconnect**



- ❑ **Height**

Due to their height, the terminal blocks of the **selos BIT** family are suited for small junction boxes with cover according to DIN 43871.

- ❑ **Ground directly to the DIN rail**



Application advantages

- **Extensive connection range**
Connection of solid, fine-stranded and stranded conductors in the rated wire gauge with and without ferrules
- **High clamping force, low contact resistance**
High tightening torques (master catalog, **facts & DATA**) create high clamping forces for large contact areas resulting in low contact resistance and a gas tight connection
- **Clamping body**
Delivered in open position, ready to wire
- **Sliding disconnect**
clearly shows state (open or closed) of the circuit and allows quick and easy disconnect from the busbar

- ❑ **selos BIT** is designed to meet the wiring and installation requirements of distribution systems in commercial and institutional buildings (such as hospitals, schools, shopping malls, theaters, office buildings, airports) according to IEC 60364

- ❑ The neutral disconnect blocks of the WKI series enable the required insulation test without disconnecting the neutral conductor

- ❑ The WKI series provides

Feed-through blocks	4–35 mm ² 10-2 AWG
Neutral disconnect blocks	4–16 mm ² 10-4 AWG
Ground blocks	4–35 mm ² 10-2 AWG
PEN assembly blocks	10–35 mm ² 6-2 AWG

- Neutral disconnect blocks (ETK) of the WKI series can be combined with ...

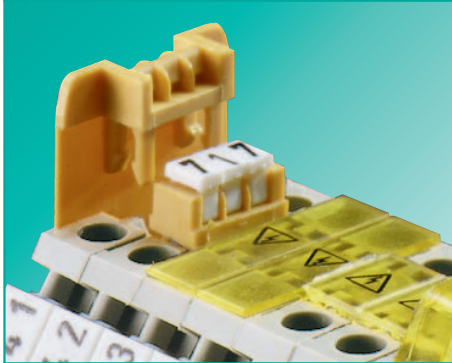
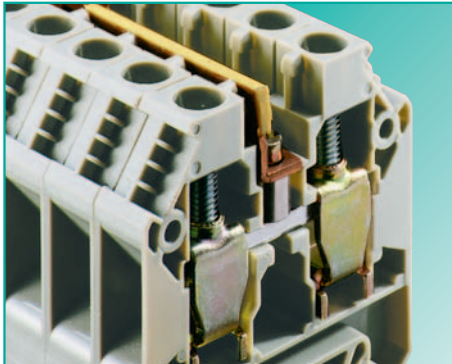
the installation blocks of the WKI series (screw connection technology)

Installation blocks of the WKIF series (spring connection technology)

Neutral disconnect blocks (ETK) of the WKN series (screw connection technology)

Terminal blocks with screw connection for junction boxes, type WKI

selos



Cross connection

- Jumping with insulated or uninsulated cross connectors (jumper bars)
- Insulated cross connectors are touch-safe according to regulation VBG 4
- Cross connectors come preassembled
- Available in 2– 12 pole configurations or as a field-divisible strip – up to 70 poles
- When used with an end plate or partition the cross connector is rated for the same voltage as the terminal block

Partition plates

- Provides electrical and visual separation for adjacent terminal block groups
- Pre and post assembly versions
- Can only be removed with a screwdriver
- Post assembly version offers marking tag facility and cover
- 4-digit marking strip for additional marking

Marking facilities

- Marking facility at every termination point
- Tear-off marking strips for 3-digit marking facilities per block
- Single marking tags in 5 mm spacing
- Marking strips (10 individual marking tags) to snap on to 10 terminal blocks
- Custom marking upon request

Cover

- Cover with warning symbol to snap on to blocks which remain live when the main switch is disconnected (VDE 0113)
- Cover for uninsulated cross connectors to prevent electrical shock
- Can only be removed with a screwdriver
- Extended covers available to prevent tampering with terminal block

DQS certificates for all company divisions

- Quality standard as per DIN ISO 9001
- In Development, Production and Assembly
- Continued control of the quality standard by means of regular internal and external quality audits
- Compatible with certificates of other countries:
 - BSI Certificate, Great Britain
 - SQS Certificate, Switzerland
 - Aib-Vincotte Certificate, Belgium
 - ÖQS Certificate, Austria

Material

Metal parts

Special alloys enable a low contact resistance and provide a gas-tight contact area:

Clamping body/clamping screws: Steel, zinc-plated and dichromated

Current carrying bar: tin-plated copper

Insulation material

Polyamide has excellent electrical, chemical and mechanical characteristics

Insulating housings: Polyamide 66/6

Tracking current resistance: CTI 600

Flammability class: UL 94-V0

(also see master catalog section **facts & DATA**: Technical information)

You can use our **wieplan** software to configure your own terminal block assemblies (see page 36/37).

Note:

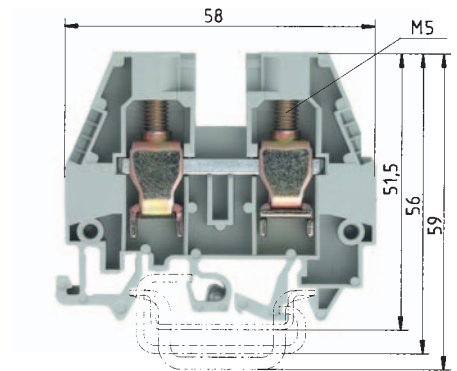
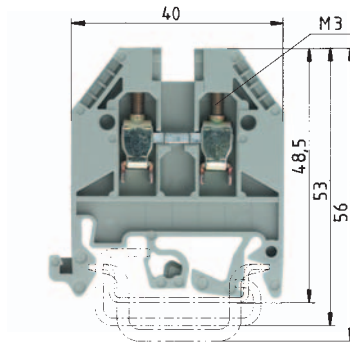
The information regarding cross sectional area and connection types pertains to unprepared wires without ferrules.

The voltage ratings apply to the terminals in their intended application. When different products are mounted adjacent to each other, the proper isolation distances must be adhered to. For this purpose, **Wieland** offers a large selection of appropriate accessories.

A detailed description of technical data, the standards' requirements, and the application conditions can be found in part catalog section **facts & DATA**: "Technical information".

Terminal blocks with screw connection for junction boxes, type *WKI*

selos BITOS



WK 4/U

fine-stranded	solid	V	A
0.5 – 4 mm ²	0.5 – 6 mm ²	800 V/8 kV/3	32
No. 22-10 AWG		600 V	30/35
No. 20-10 AWG		600 V	40
6 mm		9 mm	

WKI 10/U

fine-stranded	solid/stranded	V	A
1 – 10 mm ²	1.5 – 16 mm ²	400 V/6 kV/3	57
No. 16-6 AWG		600 V	65/65
No. 16-6 AWG		600 V	70
10 mm		18 mm	

EN 60 947-7-1/DIN VDE 0611 T1

UL ratings field/factory wiring

CSA ratings

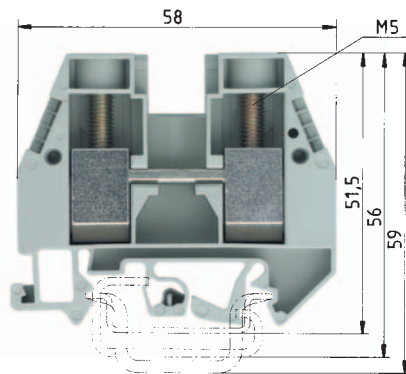
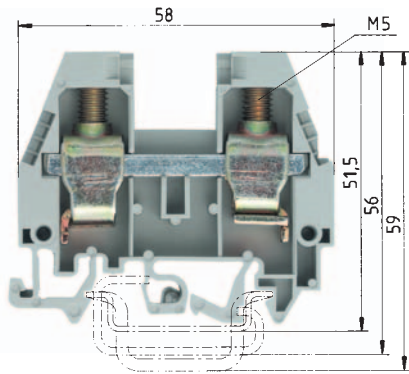
Width Wire strip length

Approvals

	Type	Part No.	Std. Pack	Type	Part No.	Std. Pack
Feed-through block	gray	WK 4/U	57.504.0055.0 100	WKI 10/U	57.510.1155.0 50	
Feed-through block	blue	WK 4/U BLAU	57.504.0055.6 100	WKI 10/U BLAU	57.510.1155.6 50	
Accessories						
1. Mounting rail TS 35, DIN rail 7.5 mm high L = 2 m		35 x 27 x 7.5 EN 60715	98.300.0000.0 1	35 x 27 x 7.5 EN 60715	98.300.0000.0 1	
Mounting rail TS 35, DIN rail 15 mm high L = 2 m		35 x 27 x 15 EN 60715	98.360.0000.0 1	35 x 27 x 15 EN 60715	98.360.0000.0 1	
2. End clamp for TS 35, with screw 8 mm wide		9708/2 S35	Z5.522.8553.0 100	9708/2 S35	Z5.522.8553.0 100	
End clamp for TS 35, without screws 8 mm wide		WEF 1/35	Z5.523.9353.0 100	WEF 1/35	Z5.523.9353.0 100	
3. End plate 1.5 mm thick gray		AP 2,5-4	07.311.0155.0 10			
1.5 mm thick blue		AP 2,5-4 BLAU	07.311.0155.6 10			
1.5 mm thick green						
End plate 2 mm thick gray				API 10-16	07.311.9455.0 10	
2 mm thick blue				API 10-16 BLAU	07.311.9455.6 10	
2 mm thick green						
4. Partition plate gray		TW 2,5-4	07.311.1155.0 10			
blue		TW 2,5-4 BLAU	07.311.1155.6 10			
5. Cross connector with screws (jumper bar) 2 pole		IVB WK 4-2	Z7.281.1227.0 10	IVB WKN 10-2	Z7.283.2227.0 10	
insulated 3 pole		IVB WK 4-3	Z7.281.1327.0 10	IVB WKN 10-3	Z7.283.2327.0 10	
4 pole		IVB WK 4-4	Z7.281.1427.0 10	IVB WKN 10-4	Z7.283.2427.0 10	
5 pole		IVB WK 4-5	Z7.281.1527.0 10	IVB WKN 10-5	Z7.283.2527.0 10	
6 pole		IVB WK 4-6	Z7.281.1627.0 10	IVB WKN 10-6	Z7.283.2627.0 10	
6. Partition plate with marking facility yellow		TS 4 GELB	07.311.2153.8 10	TS 10 GELB	07.311.2353.8 10	
7. Cover with marking facility yellow		AD VB 4 GELB	04.326.2153.8 10	AD VB 10 GELB	04.342.1056.8 10	
8. Cover with warning symbol over 4 blocks yellow		AB VB 6/4 GELB	04.343.4856.8 10			
Cover with warning symbol for 1 block yellow				ADI 10/1 GELB	04.325.8553.8 10	
9. Busbar						
E-Cu 10 x 3 mm, tin-plated, I _N = 140 A L = 1 m						
E-Cu 10 x 3 mm, unplated, I _N = 140 A L = 1 m						
10. Connector clamp for busbar						
16 mm ² 8.5 mm wide						
35 mm ² 17 mm wide						
11. Busbar support 4 mm wide						
Busbar support 8 mm wide						
Marking accessories see page 230-237						

Terminal blocks with screw connection for junction boxes, type *WKI*

setos



WKI 16/U

fine-stranded	solid/stranded	V	A
1 – 16 mm ²	15 – 25 mm ²	400 V/6 kV/3	76
No. 12-4 AWG		600 V	65/90
No. 14-4 AWG		600 V	95
12 mm			16 mm



WKI 35/U

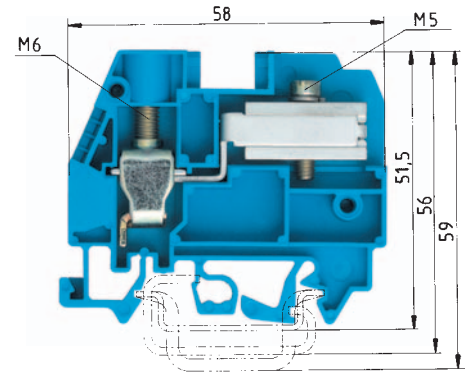
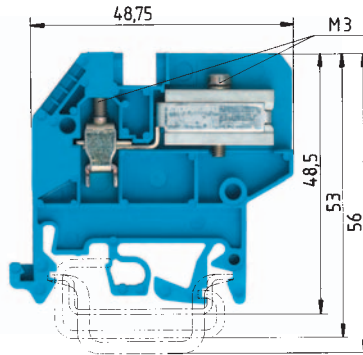
fine-stranded	stranded	V	A
16 – 35 mm ²	16 – 50 mm ²	400 V/6 kV/3	125
No. 10-2 AWG		600 V	95/95
No. 10-2 AWG		600 V	110
16 mm			13 mm



Type	Part No.	Std. Pack	Type	Part No.	Std. Pack
WKI 16/U	57.516.1155.0	50	WKI 35/U	57.535.1155.0	20
WKI 16/U BLAU	57.516.1155.6	50	WKI 35/U BLAU	57.535.1155.6	20
35 x 27 x 7,5 EN 60715	98.300.0000.0	1	35 x 27 x 7,5 EN 60715	98.300.0000.0	1
35 x 27 x 15 EN 60715	98.360.0000.0	1	35 x 27 x 15 EN 60715	98.360.0000.0	1
9708/2 S 35	Z5.522.8553.0	100	9708/2 S 35	Z5.522.8553.0	100
API 10-16	07.311.9455.0	10	API 35	07.311.8855.0	10
API 10-16 BLAU	07.311.9455.6	10	API 35 BLAU	07.311.8855.6	10
IVB WKI 16-2	Z7.284.9227.0	10	IVB WKI 35-2	Z7.285.4227.0	5
IVB WKI 16-3	Z7.284.9327.0	10	IVB WKI 35-3	Z7.285.4327.0	5
IVB WKI 16-4	Z7.284.9427.0	10	IVB WKI 35-4	Z7.285.4427.0	5
IVB WKI 16-5	Z7.284.9527.0	10	IVB WKI 35-5	Z7.285.4527.0	5
IVB WKI 16-6	Z7.284.9627.0	10	IVB WKI 35-6	Z7.285.4627.0	5
TS 16 GELB	07.311.2453.8	10	TS 35 GELB	07.311.8653.8	10
AD VB 16 GELB	04.326.2453.8	10			
ADI 16/1 GELB	04.325.8653.8	10	ADI 35/1 GELB	04.325.8753.8	10

Neutral disconnect blocks with screw connection for junction boxes, type WKI

selos BIT



***) for use in grounded networks

Current carrying capability:
 fine-stranded: 4 mm² 25 A
 solid: 6 mm² 30 A

Current carrying capability:
 fine-stranded: 10 mm² 45 A
 stranded: 16 mm² 50 A

WKN 4 ETK/U

fine-stranded solid V A
 0.5 – 4 mm² 0.5 – 6 mm² 400 V/6 kV/3***)

WKI 10 ETK/U

fine-stranded solid/stranded V A
 1 – 10 mm² 1 – 16 mm² 400 V/6 kV/3***)

EN 60 947-7-1/DIN VDE 0611 T1

UL ratings

CSA ratings

Width

Approvals

Wire strip length

No. 20-10 AWG600 V

25

6 mm

9 mm



No. 16-6 AWG

600 V 45

10 mm

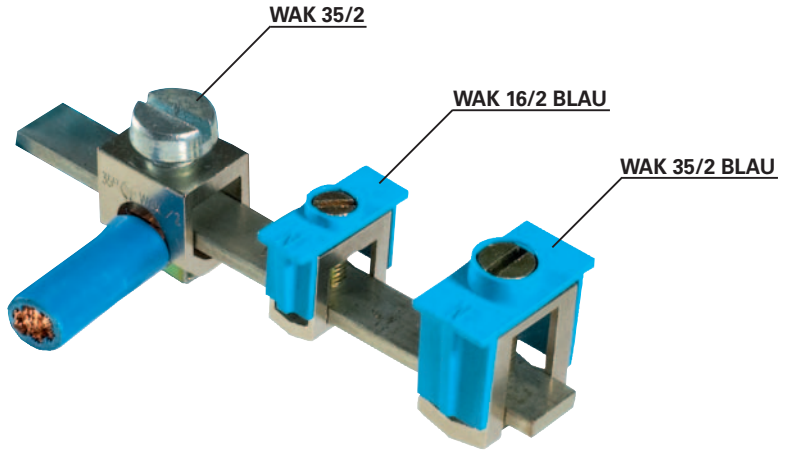
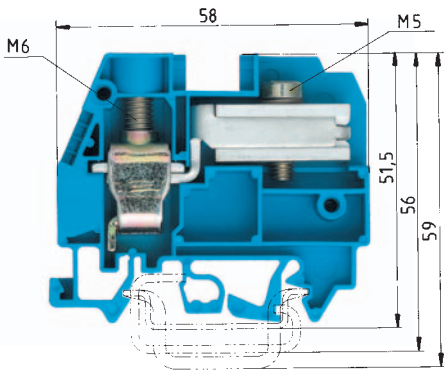
13 mm



	Type	Part No.	Std. Pack	Type	Part No.	Std. Pack
Neutral-disconnect block	blue	WKN 4 ETK/U	57.504.8155.0 100	WKI 10 ETK/U	57.510.8255.0 50	
Connector clamp for Cu busbar	blue unplated					
Accessories						
1. Mounting rail TS 35, DIN rail 7.5mm high L = 2 m		35 x 27 x 7,5 EN 60715	98.300.0000.0 1	35 x 27 x 7,5 EN 60715	98.300.0000.0 1	
Mounting rail TS 35, DIN rail 15mm high L = 2 m		35 x 27 x 15 EN 60715	98.360.0000.0 1	35 x 27 x 15 EN 60715	98.360.0000.0 1	
2. End clamp for TS 35, with screw 8 mm wide		9708/2 S35	Z5.522.8553.0 100	9708/2 S35	Z5.522.8553.0 100	
End clamp for TS 35, without screws 8 mm wide		WEF 1/35	Z5.523.9353.0 100	WEF 1/35	Z5.523.9353.0 100	
3. End plate 1.5 mm thick gray						
1.5 mm thick blue		APN 4 ETK	07.311.1155.0 10	API 10-16 ETK/1	07.312.1955.0 10	
1.5 mm thick green						
End plate 2 mm thick gray						
2 mm thick blue						
2 mm thick green						
4. Partition plate gray						
blue						
5. Cross connector with screws (jumper bar) 2 pole						
insulated 3 pole						
4 pole						
5 pole						
6 pole						
6. Partition plate with marking facility yellow						
7. Cover with marking facility yellow						
8. Cover with warning symbol over 4 blocks yellow						
Cover with warning symbol for 1 block yellow						
9. Busbar						
E-Cu 10 x 3 mm, unplated, I _N = 140 L = 1 m		9813 M	98.290.0000.0 1	9813 M	98.290.0000.0 1	
E-Cu 10 x 3 mm, tin-plated, I _N = 140 A L = 1 m		9813 M SN	98.290.1000.0 1	9813 M SN	98.290.1000.0 1	
10. Connector clamp for busbar						
16 mm ² 8.5 mm wide		WAK 16/2 BLAU	30.494.3021.6 100	WAK 16/2 BLAU	30.494.3021.6 100	
35 mm ² 17 mm wide		WAK 35/2	30.494.4121.0 50	WAK 35/2	30.494.4121.0 50	
11. Busbar support 4 mm wide		WKI SH/U	01.108.3255.0 10	WKI SH/U	01.108.3255.0 10	
Busbar support 8 mm wide		WKIF SH/E/35	Z1.108.8453.0 100	WKIF SH/E/35	Z1.108.8453.0 100	
Marking accessories see page 230-237						

Connector clamp for Cu busbar (10 x 3 mm), type WAK

selos



Current carrying capability:
 fine-stranded: 16 mm² 62 A
 stranded: 25 mm² 67 A

EN 60 998-2-1 CCA/CH

EN 60 998-2-1 CCA/CH

WKI 16 ETK/U

fine-stranded solid/stranded V A
 1 – 16 mm² 1 – 25 mm² 400 V/6 kV/3***)

WAK 16/2

fine-stranded stranded V A
 1.5 – 16 mm² 10 – 16 mm² 76

WAK 35/2

fine-stranded stranded V A
 16 – 35 mm² 16 – 35 mm² 125

No. 14-4 AWG 600 V 65
 12 mm 15 mm

8.4 mm 16 mm

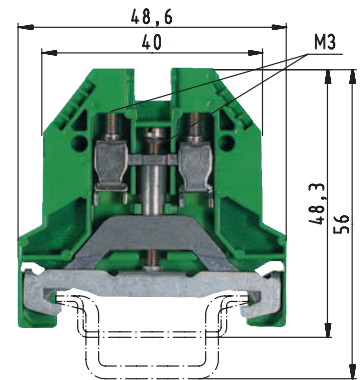
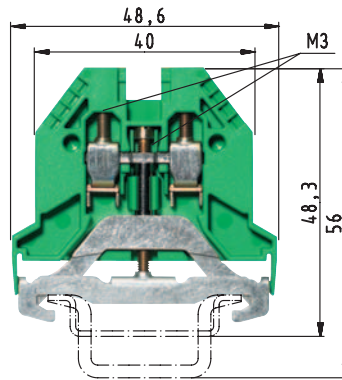
17 mm 14 mm



Type	Part No.	Std. Pack	Type	Part No.	Std. Pack	Type	Part No.	Std. Pack
WKI 16 ETK/U	57.516.8255.0	50	WAK 16/2 BLAU	30.494.3021.6	100	WAK 35/2 BLAU	30.494.4021.0	50
						WAK 35/2	30.494.4121.0	50
35 x 27 x 7,5 EN 60715	98.300.0000.0	1						
35 x 27 x 15 EN 60715	98.360.0000.0	1						
9708/2 S35	Z5.522.8553.0	100						
API 10-16 ETK/1	07.312.1955.0	10						
9813 M	98.290.0000.0	1	9813 M	98.290.0000.0	1	9813 M	98.290.0000.0	1
9813 M SN	98.290.1000.0	1	9813 M SN	98.290.1000.0	1	9813 M SN	98.290.1000.0	1
WAK 16/2 BLAU	30.494.3021.6	100						
WAK 35/2	30.494.4121.0	50						
WKI SH/U	01.108.3255.0	10	WKI SH/U	01.108.3255.0	10	WKI SH/U	01.108.3255.0	10
WKIF SH/E/35	Z1.108.8453.0	100	WKIF SH/E/35	Z1.108.8453.0	100	WKIF SH/E/35	Z1.108.8453.0	100

Ground blocks with screw connection for junction boxes, type **WKI SL**

selos BIT



*) Ratings of adjacent feed-through block same series and size

EN 60 947-7-2/DIN VDE 0611 T3

UL ratings

CSA ratings

Width

Approvals

Wire strip length

WK 2,5 SL/35

fine-stranded solid V A

0.5 – 2.5 mm² 0.5 – 4 mm² 500 V/6 kV/3*)

No. 22-12 AWG

No. 24-12 AWG

5 mm

9 mm



WK 4 SL/35

fine-stranded solid V A

0.5 – 4 mm² 0.5 – 6 mm² 800 V/8 kV/3*)

No. 22-10 AWG

No. 22-10 AWG

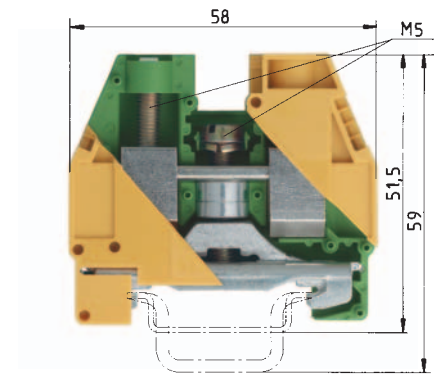
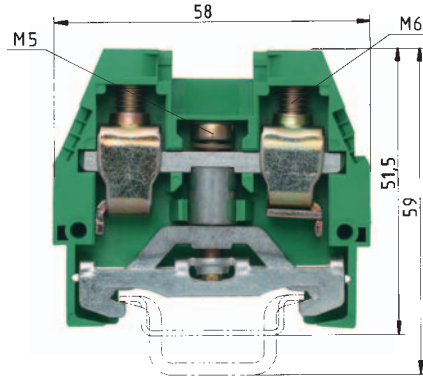
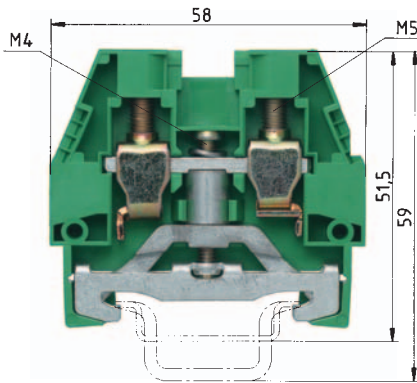
6 mm

9 mm

Ground block	with U-foot	green/yellow	Type	Part No.	Std. Pack	Type	Part No.	Std. Pack
Ground block	for TS 35	green/yellow	WK 2,5 SL/35	56.503.9055.0	100	WK 4 SL/35	56.504.9055.0	100
Accessories								
1. Mounting rail TS 35, DIN rail 7.5 mm high	L = 2 m		35 x 27 x 7,5 EN 60715	98.300.0000.0	1	35 x 27 x 7,5 EN 60715	98.300.0000.0	1
Mounting rail TS 35, DIN rail 15 mm high	L = 2 m		35 x 27 x 15 EN 60715	98.360.0000.0	1	35 x 27 x 15 EN 60715	98.360.0000.0	1
2. End clamp for TS 35, with screw	8 mm wide					9708/2 S35	Z5.522.8553.0	100
End clamp for TS 35, without screws	8 mm wide					WEF 1/35	Z5.523.9353.0	100
3. End plate	1.5 mm thick	gray						
	1.5 mm thick	blue						
	1.5 mm thick	green	AP 2,5-4 SL	07.311.7155.0	10	AP 2,5-4 SL	07.311.7155.0	10
End plate	2 mm thick	gray						
	2 mm thick	blue						
	2 mm thick	green						
4. Partition plate		gray						
		blue						
5. Cross connector with screws (jumper bar)	2 pole							
insulated	3 pole							
	4 pole							
	5 pole							
	6 pole							
6. Partition plate with marking facility		yellow						
7. Cover with marking facility		yellow	AD VB 2,5 GELB	04.326.2053.8	10	AD VB4 GELB	04.326.2153.8	10
8. Cover with warning symbol over 4 blocks		yellow	AD VB 5/4 GELB	04.343.4756.8	10	AD VB 6/4 GELB	04.343.4856.8	10
Cover with warning symbol for 1 block		yellow						
9. Busbar								
E-Cu 10 x 3 mm, tin-plated, I _N = 140	L = 1 m							
E-Cu 10 x 3 mm, unplated, I _N = 140 A	L = 1 m							
10. Connector clamp for busbar								
	16 mm ²	8.5 mm wide						
	35 mm ²	17 mm wide						
11. Busbar support		4 mm wide						
Busbar support		8 mm wide						
Marking accessories see page 230-237								

Ground blocks with screw connection for junction boxes, type **WKI SL**

setos



enclosed design

WKI 10 SL/35

fine-stranded solid/stranded V A
 1 – 10 mm² 1.5 – 16 mm² 800 V/8 kV/3*)
 No. 16-6 AWG 600 V*)
 No. 16-6 AWG
 10 mm 18 mm

WKI 16 SL/35

fine-stranded solid/stranded V A
 1 – 16 mm² 1.5 – 25 mm² 400 V/6 kV/3*)
 No. 12-4 AWG 600 V*)
 12 mm 16 mm

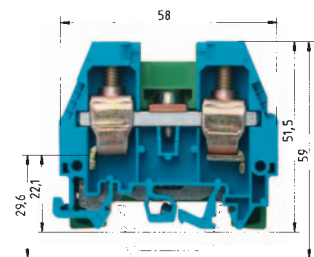
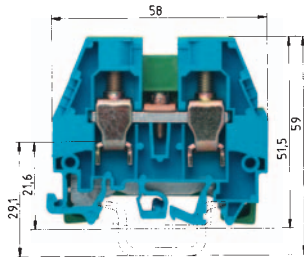
WKI 35 SL/35

fine-stranded stranded V A
 16 – 35 mm² 16 – 50 mm² 400 V/6 kV/3*)
 No. 10-2 AWG
 16 mm 13 mm

Type	Part No.	Std. Pack	Type	Part No.	Std. Pack	Type	Part No.	Std. Pack
WKI 10 SL/35	56.510.9255.0	50	WKI 16 SL/35	56.516.9255.0	50	WKI 35 SL/35	56.535.9255.0	20
35 x 27 x 7,5 EN 60715	98.300.0000.0	1	35 x 27 x 7,5 EN 60715	98.300.0000.0	1	35 x 27 x 7,5 EN 60715	98.300.0000.0	1
35 x 27 x 15 EN 60715	98.360.0000.0	1	35 x 27 x 15 EN 60715	98.360.0000.0	1	35 x 27 x 15 EN 60715	98.360.0000.0	1
9708/2 S35	Z5.522.8553.0	100	9708/2 S35	Z5.522.8553.0	100	9708/2 S35	Z5.522.8553.0	100
WEF 1/35	Z5.523.9353.0	100						
API 10-16 SL	07.311.9555.0	10	API 10-16 SL	07.311.9555.0	10			
AD VB 10 GELB	04.326.2353.8	10	AD VB 16 GELB	04.326.2453.8	10	AD VB 10 GELB	04.326.2353.8	10
AD 10/1 GELB	04.325.8553.8	10	AD 16/1 GELB	04.325.8653.8	10	AD 35/1 GELB	04.325.8753.8	10

PEN assembly block with screw connection for junction boxes, type WKI...

selos BITOS



WKI 10 PEN/35

fine-stranded	solid/stranded	V	A
1 – 10 mm ²	1.5 – 16 mm ²	400 V/6 kV/3	57
No. 16-6 AWG		600 V	65/65
No. 16-6 AWG		600 V	70
Width	Wire strip length	20 mm	18 mm

WKI 16 PEN/35

fine-stranded	solid/stranded	V	A
1 – 16 mm ²	1.5 – 25 mm ²	400 V/6 kV/3	76
No. 12-4 AWG		600 V	65/65
No. 14-4 AWG		600 V	95
Width	Wire strip length	24 mm	16 mm

EN 60 947-7-1, EN 60 947-7-2

UL ratings

CSA ratings

Width

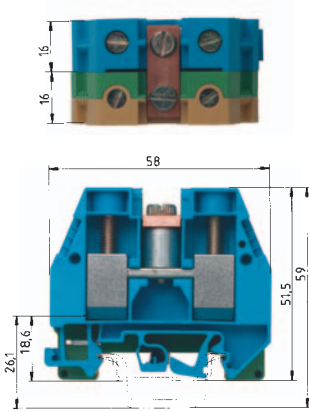
Approvals

Wire strip length

PEN assembly block		Type	Part No.	Std. Pack	Type	Part No.	Std. Pack
green/yellow – blue		WKI 10 PEN/35	56.510.9455.0	20	WKI 16 PEN/35	56.516.9455.0	20
Accessories							
1. Mounting rail TS 35, DIN rail 7.5 mm high	L = 2 m	35 x 27 x 7,5 EN 60715	98.300.0000.0	1	35 x 27 x 7,5 EN 60715	98.300.0000.0	1
Mounting rail TS 35, DIN rail 15 mm high	L = 2 m	35 x 27 x 15 EN 60715	98.360.0000.0	1	35 x 27 x 15 EN 60715	98.360.0000.0	1
2. End clamp for TS 35, with screw	8 mm wide	9708/2 S35	Z5.522.8553.0	100	9708/2 S35	Z5.522.8553.0	100
End clamp for TS 35, without screws	8 mm wide	WEF 1/35	Z5.523.9353.0	100			
3. End plate	1.5 mm thick						
	1.5 mm thick	API 10-16 BLAU	07.311.9455.6	10	API 10-16 BLAU	07.311.9455.6	10
	1.5 mm thick						
End plate	2 mm thick						
	2 mm thick						
	2 mm thick						
4. Partition plate	gray						
	blue						
5. Cross connector with screws (jumper bar)	2 pole						
insulated	3 pole						
	4 pole						
	5 pole						
	6 pole						
6. Partition plate with marking facility	yellow	TS 10 GELB	07.311.2353.8	10	TS 16 GELB	07.311.2453.8	10
7. Cover with marking facility	yellow	AD VB 10 GELB	04.326.2353.8	10	AD VB 16 GELB	04.326.2453.8	10
8. Cover with warning symbol over 4 blocks	yellow						
Cover with warning symbol for 1 block	yellow	ADI 10/1 GELB	04.325.8553.8	10	AD 16/1 GELB	04.325.8653.8	10
9. Busbar							
	E-Cu 10 x 3 mm, tin-plated, I _N = 140						
	L = 1 m						
	E-Cu 10 x 3 mm, unplated, I _N = 140 A						
	L = 1 m						
10. Connector clamp for busbar							
	16 mm ²	8.5 mm wide					
	35 mm ²	17 mm wide					
11. Busbar support	4 mm wide						
Busbar support	8 mm wide						
Marking accessories see page 230-237							

PEN assembly block with screw connection for junction boxes, type WKI...

setos



WKI 35 PEN/35

	fine-stranded	stranded	V	A
	16 – 35 mm ²	16 – 50 mm ²	400 V/6 kV/3	125
No. 10-2 AWG			600 V	95/95
No. 10-2 AWG			600 V	110
32 mm				13 mm

Type	Part No.	Std. Pack
WKI 35 PEN/35	56.535.9455.0	10
35 x 27 x 7,5 EN 60715	98.300.0000.0	1
35 x 27 x 15 EN 60715	98.360.0000.0	1
9708/2 S35	Z5.522.8553.0	100
API 35 BLAU	07.311.8855.6	10
TS 35 GELB	07.311.8653.8	10
AD 35/1 GELB	04.325.8753.8	10

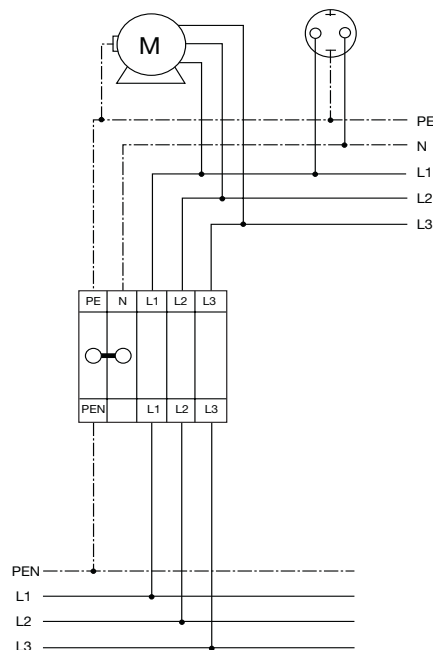
PEN assembly block for junction box IEC 947-7-2 EN 60947-7-2

Electrical power is often supplied to the plant in a 4 conductor three phase system (L1, L2, L3, and Ground). However, the electrical equipment in the plant may require a 5 conductor three phase system (L1, L2, L3, N, and Ground). Therefore, it is important to have a connection system to accommodate both possibilities.

The Wieland **WKI ... PEN/35** system accomplishes this task. The PEN assembly terminal block consists of a ground terminal which is grounded to the DIN rail and a neutral terminal (color coded blue) which is electrically isolated from the DIN rail. The two terminals are commoned via a cross connector (jumper bar) thereby, tying the neutral terminal to ground.

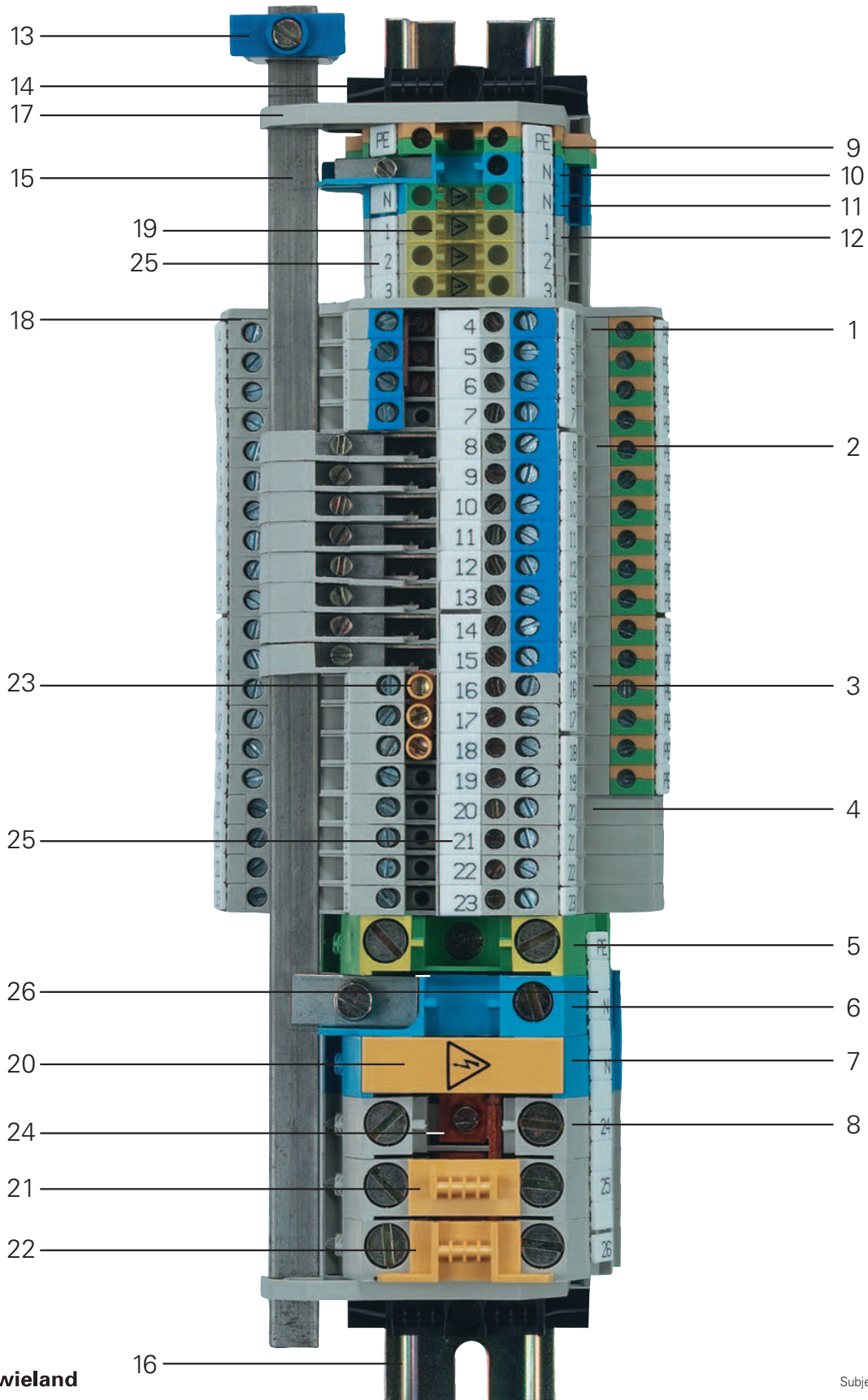
When using the PEN assembly terminal block system, the DIN mounting rail only acts as a grounding bus. Therefore, copper mounting rail is not required and standard zinc plated steel DIN can be used for grounding purposes.

These assemblies have the same symmetry as the corresponding feed-through terminals of the WKI series and fit the height required for junction boxes per DIN 43871 when using DIN rail size 35 x 27 x 7.5.



Three-tier blocks with screw connection
for junction boxes, type WKI

selos BIT



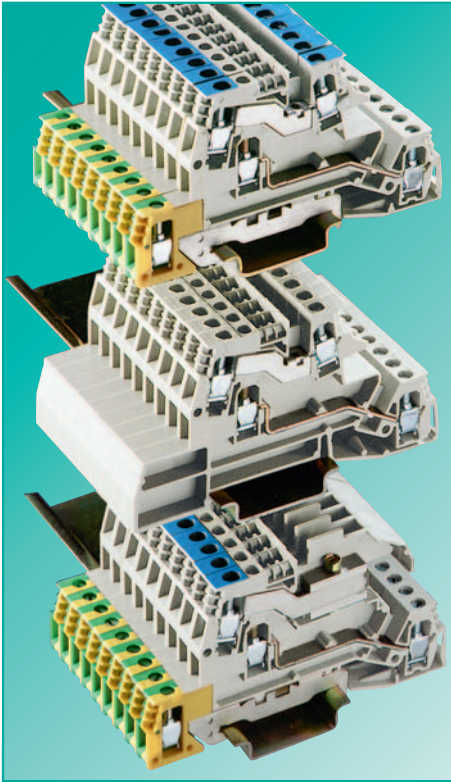
Three-tier blocks with screw connection for junction boxes, type WKI

setos

Item	Description	Type	Part number
1	Installation blocks	WKI 4 N-D-SL	56.404.9455.0
2	Installation blocks	WKI 4 NT-D-SL	56.404.9555.0
3	Installation blocks	WKI 4 D-D-SL	56.404.9855.0
4	Installation blocks	WKI 4 D-D	56.404.9755.0
5	Ground block	WKI 16 SL/35	56.516.9255.0
6	Neutral disconnect block	WKI 16 ETK/U	57.516.8255.0
7	Feed-through block	WKI 16 /U BLAU	57.516.1155.6
8	Feed-through block	WKI 16 /U	57.516.1155.0
9	Ground block	WK 4 SL/U	57.504.9055.0
10	Neutral disconnect block	WKN 4 ETK/U	57.504.8155.0
11	Feed-through block	WK 4 /U BLAU	57.504.0055.6
12	Feed-through block	WK 4 /U	57.504.0055.0
13	Connector clamp	WAK 16/2 BLAU	30.494.3021.6
14	End clamp	9708/2 S35	Z5.522.8553.0
15	Busbar 10x3	9813 M Sn	98.290.1000.0
16	Mounting rail	35x27x7,5	98.300.0000.0
17	Busbar support	WKI SH/U	01.108.3255.0
18	End plate	API 4/2	07.311.6555.0
19	Cover with warning symbol	AD 4/4 GELB	04.343.4856.8
20	Cover with warning symbol	ADI 16/1 GELB	04.325.8553.8
21	Cover with marking facility	AD VB 16 GELB	04.326.2453.8
22	Partition plate with marking facility	TS 16 GELB	07.311.2453.8
23	Cross connector, insulated (12 pole)	IVB WKI 4-12	Z7.271.5227.0
24	Cross connector, uninsulated	VB WKI 16-3	Z7.289.0327.0
25	Marking strip	9705 A/6/10 B	04.842.6053.0
26	Marking strip	9705 A/6/10/5 B	04.842.6553.0

Three-tier block with screw connection for junction boxes, type WKI

selos BIT

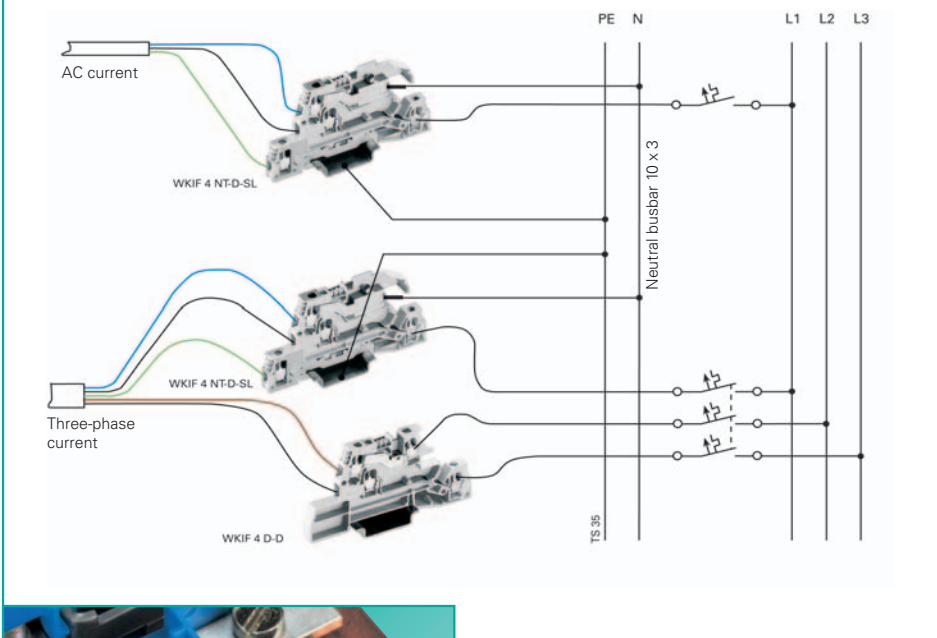


WKI provides ...

- Clear circuit assignment
- Compact dimensions in three-tier design
- Neutral conductor disconnect function

Application benefits

- Installation blocks in the space-saving three-tier design
- Best suited for small junction boxes with cover according to DIN 43871
- Fast and safe disconnection of the neutral conductor with WKI 4 NT-D-SL
- Indicators signal the circuit state visually

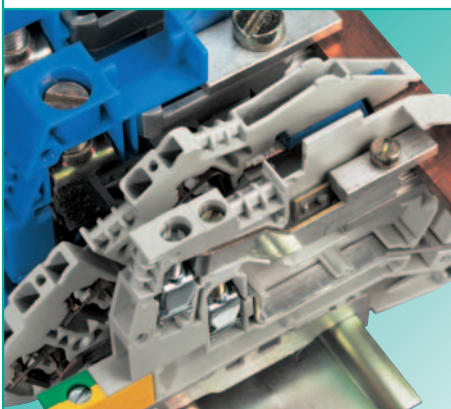


- selos BIT** is designed to meet the wiring and installation requirements of distribution systems in commercial and institutional buildings (such as hospitals, schools, shopping malls, theaters, office buildings, institutes, airports) according to IEC 60364 and standard control requirements

- WKI 4 NT-D-SL enables the required circuit isolation test without disconnecting the neutral conductor

- WKI provides installation blocks in 5 versions:
 WKI 4 DU
 WKI 4 D-D
 WKI 4 D-D-SL
 WKI 4 N-D-SL
 WKI 4 NT-D-SL

- 3 special variants:
 WKI 4 NT-D-SL-GL
 WKI 4 NTN-D-SL
 WKI 4 TKG-D-SL



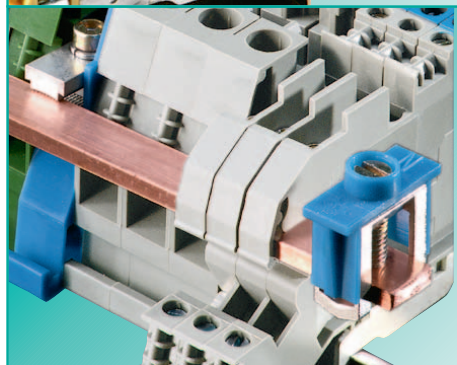
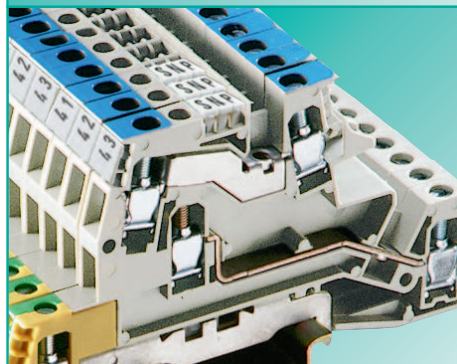
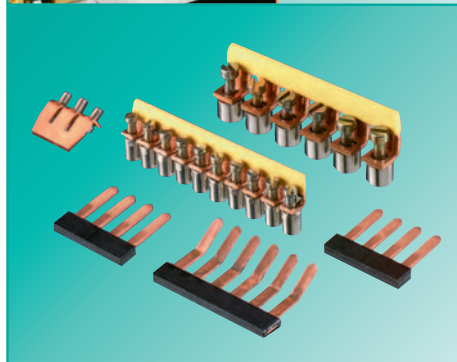
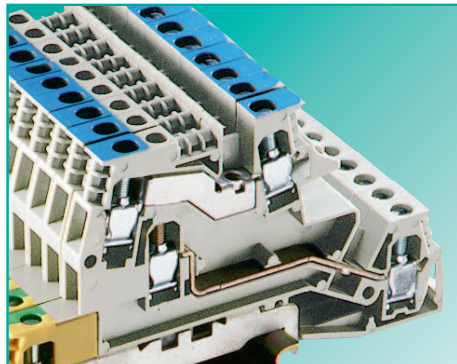
- Connection slot on the terminal block for the neutral busbar

- The terminal blocks for electrical installations of the WKI series in the NT version can be combined with ...

the terminal blocks of the WKIF series (spring connection technology)

the neutral disconnect blocks (ETK) of the WKN series (screw connection technology)

Three-tier block with screw connection for junction boxes, type WKI



Jumping with cross connectors

- Jumping with insulated and uninsulated cross connectors (jumperbars)
- Cross connectors do not take up clamping space
- Uninsulated cross connectors can be cut to length
- When using cross connectors, end plates or partitions are required to maintain max. voltage rating

Jumping with jumper combs

- Jumping with insulated jumper combs
- Jumper comb and conductor are inserted in the clamping body and clamped

Marking facilities

- Marking facility for each termination point
- Tear-off marking strips for 3-digit marking facilities per block
- Single marking tags in 5 mm spacing
- Marking strips (10 individual marking tags) to snap on to 10 terminal blocks
- Custom marking upon request

Connector clamps

- Connector clamps for busbar 10 x 3 mm (E-Cu, tin-plated)
- WAK 16/2... 0.75–16 mm²
- WAK 35/2... 16–35 mm²
- Clear identification of the circuit task when the external neutral conductor is connected to the busbar

DQS certificates for all company divisions

- Quality standard as per DIN ISO 9001
- In Development, Production and Assembly
- Continued control of the quality standard by means of regular internal and external quality audits
- Compatible with certificates of other countries:
 - BSI Certificate, Great Britain
 - SQS Certificate, Switzerland
 - Aib-Vincotte Certificate, Belgium
 - ÖQS Certificate, Austria

Material

Metal parts

Special alloys enable a low contact resistance and provide a gas-tight contact area:

Clamping body/clamping screws: Steel, zinc-plated and dichromated

Current carrying bar: tin-plated copper

Insulation material

Polyamide has excellent electrical, chemical and mechanical characteristics

Insulating housings: Polyamide 66/6

Tracking current resistance: CTI 600

Flammability class: UL 94-V0

(also see master catalog section **facts & DATA**: Technical information)

You can use our **wieplan** software to configure your own terminal block assemblies (see page 36/37).

Note:

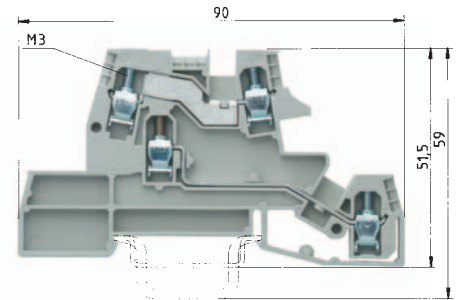
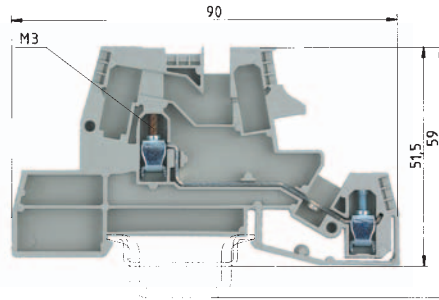
The information regarding cross sectional area and connection types pertains to unprepared wires without ferrules.

The voltage ratings apply to the terminals in their intended application. When different products are mounted adjacent to each other, the proper isolation distances must be adhered to. For this purpose, **Wieland** offers a large selection of appropriate accessories.

A detailed description of technical data, the standards' requirements, and the application conditions can be found in part catalog section **facts & DATA**: "Technical information".

Terminal blocks for electrical installations with screw connection, type **WKI 4**

selos BIT OS



*1) For the current carrying capability of the mounting rail see catalog **facts & DATA**

DU – line feed-through block:
lower contact equipped only

D – line feed-through block
D – line feed-through block

EN 60947-7-1/DIN VDE 0611 T1

EN 60947-7-2

UL ratings

CSA ratings

Width

Wire strip length

Approvals

WKI 4 DU

fine-stranded	solid	V	A
0.5 – 4 mm ²	0.5 – 6 mm ²	400 V/6 kV/3	26
No. 22-10 AWG		300 V	24
No. 22-10 AWG		300 V	25
6 mm			7 mm



WKI 4 D-D

fine-stranded	solid	V	A
0.5 – 4 mm ²	0.5 – 6 mm ²	400 V/6 kV/3	26
No. 22-10 AWG		300 V	24
No. 22-10 AWG		300 V	25
6 mm			7 mm



	Type	Part No.	Std. Pack	Type	Part No.	Std. Pack
Installation block gray				WKI 4 D-D	56.404.9755.0	50
Lower tier of installation block equipped only	WKI 4 DU	56.404.9655.0	50			
Installation block with indicator lamp (110 – 200 V)						
Accessories						
1. Mounting rail TS 35, DIN rail 7.5 mm high L = 2 m	35 x 27 x 7,5 EN 60715	98.300.0000.0	1	35 x 27 x 7,5 EN 60715	98.300.0000.0	1
Mounting rail TS 35, DIN rail 15 mm high L = 2 m	35 x 24 x 15 EN 60715	98.360.0000.0	1	35 x 24 x 15 EN 60715	98.360.0000.0	1
2. End clamp for TS 35, with screw 8 mm wide	9708/2 S35	Z5.522.8553.0	100	9708/2 S35	Z5.522.8553.0	100
End clamp, screwless 8 mm thick	WEF 1/35	Z5.523.9353.0	100	WEF 1/35	Z5.523.9353.0	100
3. End plate 2 mm thick	API 4/2	07.311.6555.0	10	API 4/2	07.311.6555.0	10
4. Partition plate	TWI 4	07.311.6955.0	10	TWI 4	07.311.6955.0	10
5. Cross connector with screws, E-Cu						
uninsulated 2 pole	9703/6-2	Z7.211.0227.0	50	9703/6-2	Z7.211.0227.0	50
to 6 pole	9703/6-6	Z7.211.0627.0	50	9703/6-6	Z7.211.0627.0	50
insulated 12 pole	IVB WKI 4-12	Z7.271.5227.0	10	IVB WKI 4-12	Z7.271.5227.0	10
Field divisible strip – uninsulated, 70 pole	9703/6 M-70	Z7.211.0027.0	10	9703/6 M-70	Z7.211.0027.0	10
6. Busbar, E-Cu 10 x 3 mm, I _N = 140 A L = 1 m	9813 M	98.290.0000.0	1	9813 M	98.290.0000.0	1
Busbar, tin-plated, I _N = 140 A L = 1 m	9813 M Sn	98.290.1000.0	1	9813 M Sn	98.290.1000.0	1
7. Busbar support 4 mm wide	WKI/SH/U	01.108.3255.0	10	WKI/SH/U	01.108.3255.0	10
Busbar support 8 mm wide	WKIF SH/E/35	Z1.108.8453.0	100	WKIF SH/E/35	Z1.108.8453.0	100
8. Connector clamp for busbar						
16 mm ² 8.5 mm wide	WAK 16/2 BLAU	30.494.3021.6	100	WAK 16/2 BLAU	30.494.3021.6	100
35 mm ² 17 mm wide	WAK 35/2	30.494.4121.0	50	WAK 35/2	30.494.4121.0	50
9. Screwdriver, uninsulated	DIN 5264 B 0,6 x 3,5	06.502.4000.0	5	DIN 5264 B 0,6 x 3,5	06.502.4000.0	5
Marking accessories see page 230-237						

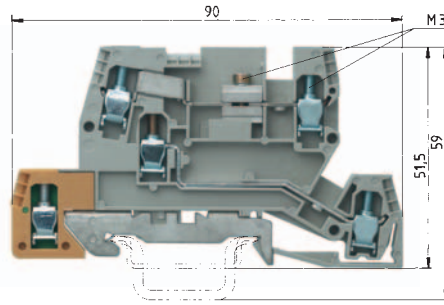
Terminal blocks for electrical installations with screw connection, type WKI 4

selos BIT OS

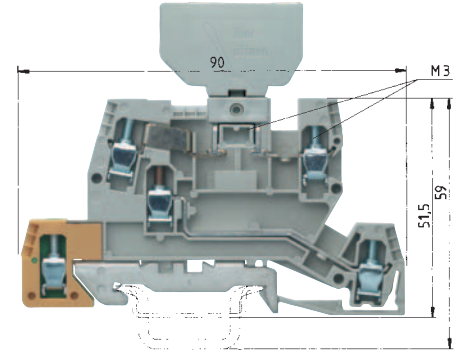
Fuse application:
 Nominal current accord to VDE 0820 T2/EN 60 127-2 when using 1.6 W
 – 6.3 A for single blocks
 – 4 A for blocks mounted directly adjacent to each other
 Voltage and current are determined by the LED and the fuse used in the end application

Ground application:
 *) For the current carrying capability of the mounting rail see catalog **facts & DATA**

Busbar application:
 Position these terminals at the beginning or end of the assembly when incorporating the busbar system.



NTN – disconnect block
 D – line feed-through block:
 SL – ground



TKG – fuse plug for 5 x 20 fuse
 D – line feed-through block:
 SL – ground block

WKI 4 NTN-D-SL

fine-stranded	solid	V	A
0.5 – 4 mm ²	0.5 – 6 mm ²	400 V/6 kV/3	26*)
No. 22-10 AWG		300 V	24
No. 22-10 AWG		300 V	25
Width	Wire strip length	6 mm	7 mm



WKI 4 TKG-D-SL

fine-stranded	solid	V	A
0.5 – 4 mm ²	0.5 – 6 mm ²	400 V/6 kV/3	26*)
No. 22-10 AWG		300 V	12
No. 22-10 AWG		300 V	25
Width	Wire strip length	6 mm	7 mm



EN 60 947-7-1, EN 60 947-7-2

UL ratings

CSA ratings

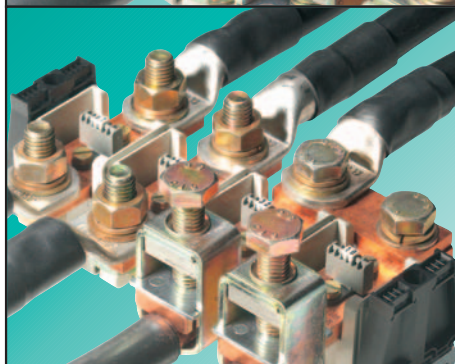
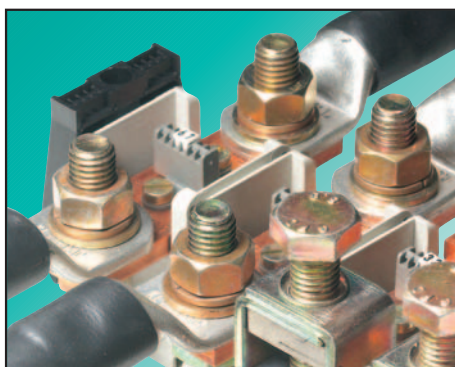
Width

Wire strip length

Approvals

	Type	Part No.	Std. Pack	Type	Part No.	Std. Pack
Installation block	gray	WKI 4 NTN-D-SL	56.404.9155.0 50	WKI 4 TKG-D-SL	56.404.8855.0 50	
Fuse holder for 5 x 20 fuse	gray			Si ST	Z1.299.4055.0 10	
Fuse holder with indicator (24 V)	gray			Si ST LED	Z1.299.4155.0 10	
Fuse holder with indicator (110 – 220 V)	gray			Si ST GL	Z1.299.4255.0 10	
(G fuse-links DIN 41571, 250 V/6.3 A, 5 x 20 mm)						
Accessories						
1. Mounting rail TS 35, DIN rail 7.5 mm high L = 2 m	35 x 27 x 7,5 EN 60715	98.300.0000.0	1	35 x 27 x 7,5 EN 60715	98.300.0000.0	1
Mounting rail TS 35, DIN rail 15 mm high L = 2 m	35 x 24 x 15 EN 60715	98.360.0000.0	1	35 x 24 x 15 EN 60715	98.360.0000.0	1
2. End clamp for TS 35, with screw 8 mm wide	9708/2 S35	Z5.522.8553.0	100	9708/2 S35	Z5.522.8553.0	100
End clamp, screwless 8 mm thick	WEF 1/35	Z5.523.5753.0	100	WEF 1/35	Z5.523.9353.0	100
3. End plate 2 mm thick	API 4/3	07.311.6855.0	10	API 4/3	07.311.6855.0	10
4. Partition plate						
5. Cross connector with screws, (jumper bar)						
uninsulated 2 pole	9703/6-2	Z7.211.0227.0	50	9703/6-2	Z7.211.0227.0	50
to 6 pole	9703/6-6	Z7.211.0627.0	50	9703/6-6	Z7.211.0627.0	50
insulated 12 pole	IVB WKI 4-12	Z7.271.5227.0	10	IVB WKI 4-12	Z7.271.5227.0	10
Field-divisible strip – 70 pole	9703/6 M-70	Z7.211.0027.0	10	9703/6 M-70	Z7.211.0027.0	10
6. Busbar, E-Cu 10 x 3 mm, I _N = 140 A L = 1 m						
Busbar, tin-plated, I _N = 140 A L = 1 m						
7. Busbar support 4 mm wide						
Busbar support 8 mm wide						
8. Connector clamp for busbar						
16 mm ² 8.5 mm wide						
35 mm ² 17 mm wide						
9. Screwdriver, uninsulated	DIN 5264 B 0,6 x 3,5	06.502.4000.0	5	DIN 5264 B 0,6 x 3,5	06.502.4000.0	5
Marking accessories see page 230-237						

selos



RFK offers ...

❑ Rising Cage Connection Technology

❑ Rising Cage and Ring Terminal Connection

- ❑ **Ring Terminal** connections in two styles:
 - Screw (bolt) with nut
 - Screw (bolt) with threaded current bar

❑ **Rated cross section:** 95 – 240 mm²

❑ **Connection Range:** 70 – 240 mm²

❑ **Material:**

- Insulating housing, partition, cover: Polyamide 66/6
- Current carrying bar and jumper rail: E-Cu
- Screws, nuts, washers, clamping bodies: galvanically zinc-plated steel

❑ **Touch Safe Covers**

❑ **Partition Plates** with marking capability

❑ **Jumper bar:**

Available in 2, 3, or 4 pole versions

Application advantages

- A stripped wire can be connected without ferrules, unprepared
- Secure connection due to the elastic design of the clamping body

- Connection requires ring lug terminal
- Secure connection with use of lock washers

- Due to its excellent electrical, chemical and mechanical properties
- Low contact resistance

- Touch safe covers can be installed after connections have been made and do not increase the pitch of the assembly.

- Partition plates provide both visual and electrical separation of adjacent terminals. They do not increase the pitch of the assembly and can be marked with the Wieland standard marking system.

- Jumper bars are used to common the potential of RFK terminals with ring connection.

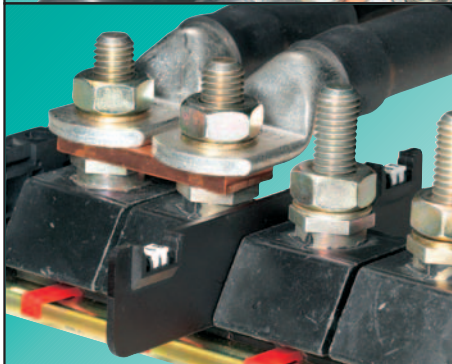
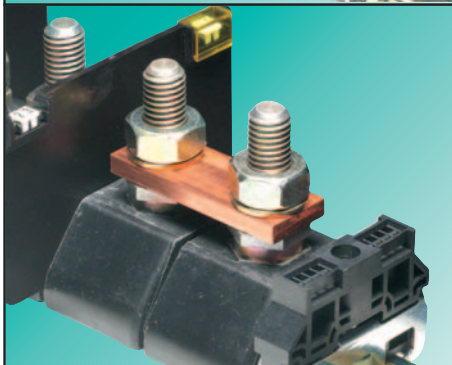
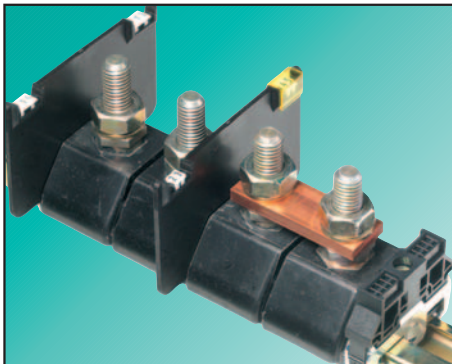
Installation instructions:

When tightening the terminal screw, it is recommended that you hold it against the conductor in order to prevent deformation of the mounting rail and to keep the foot of the terminal free from torsional forces.

The threaded hole in the foot of the terminal type RFK 1/...PA enables the terminals to be screwed to the mounting rail. Perforated rails are available for the purpose and the mounting rail is pre-drill accordingly on site or at the factory.

Caution: Make sure that the recommended stripped length for the conductor of 27 mm is maintained!

selos



BK offers ...

- Ring lug connection**
- Torque values** to ring lug diameter standard **up to 10 Nm**
Connection range per ring lug diameter standard
DIN 46 234 from 2.5 to 240 mm

Material:

- Insulated housing: epoxy resin
- Ring lug, nut and lock washer: galvanized steel, zinc plated
- Jumper Bar: E-Cu
- Locking slide, marking tag, and marking tag holder: Polyamide

- End plates / partition plate** with marking capability

- Marking tag cover**

- Jumper bar:**
Available in 2, 3, 4 pole versions

- Locking slides**
allows the BK series to be locked onto the DIN rail

DQS certificates for all company divisions

- Quality standard as per DIN ISO 9001
- In Development, Production, Assembly
- Continued control of the quality standard by means of regular internal and external quality audits
- Compatible with certificates of other countries:
 - BSI Certificate, Great Britain
 - SQS Certificate, Switzerland
 - Aib-Vincotte Certificate, Belgium
 - ÖQS Certificate, Austria

Application advantages

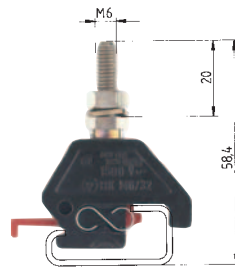
- No loose wires
- High contact force ensures a secure connection with the use of a lock washer
- Constant operating temperature; 150 °C
- Nuts, washer, lock washer are included but are packaged separately
- End plates/partition plates provide both visual and electrical separation of adjacent terminals. They do not increase the pitch of the assembly and can be marked with the Wieland standard marking system.
- The marking tag cover is a translucent yellow material which protects the marking tag against dust and other industrial elements.
- With the BK terminal series, it is possible to common the potential of adjacent terminals with a jumper bar.
- The locking slide ensures secure mounting of the BK terminal on the DIN rail. This is important due to larger conductor sizes and higher torque values of the BK series.

You can use our **wieplan** software to configure your own terminal block assemblies (see page 36/37).

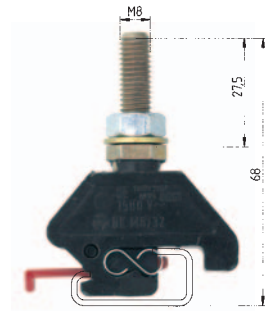
A detailed description of technical data, the standards' requirements, and the application conditions can be found in part **facts & DATA**.

Ring lug terminal for 32 mm DIN rail

selos POWER LINE



The wire size is dependent on the hole diameter of the ring terminal of 6.5 mm and the max. ring terminal width of 15 mm



The wire size is dependent on the hole diameter of the ring terminal of 8.4 mm and the max. ring terminal width of 25 mm

DIN VDE 0110
UL ratings
CSA ratings
Width
Approvals

field/factory wiring

Wire strip length

BK M 6/32

Type	V	A
1500 V~	Gr. C	115
1800 V=	600 V	
2 AWG		
18 mm		

SEV SF

BK M 8/32

Type	V	A
1500 V~	Gr. C	200
1800 V=	1000 V	
000 AWG		
26 mm		

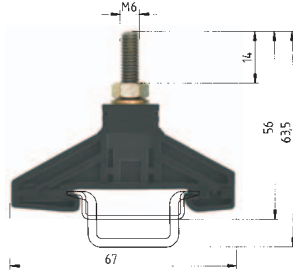
SEV SF

Ring lug terminal	Type	Part No.	Std. Pack	Type	Part No.	Std. Pack
	BK M 6/32	32.630.0042.0	50	BK M 8/32	32.640.0042.0	50
Accessories						
1. Mounting rail TS 35, DIN rail, 7.5 mm high L = 2 m						
Mounting rail TS 35, DIN rail 15 mm high L = 2 m						
Mounting rail TS 35, G rail L = 2 m	9006 EN 60715 G-32	98.190.0000.0	1	9006 EN 60715 G-32	98.190.0000.0	1
2. End clamp with U-foot 10 mm wide	WE 1/U	Z5.523.5753.0	100	WE 1/U	Z5.523.5753.0	100
End clamp TS32 with screw 8 mm wide						
End clamp TS32 with screw 7.5 mm wide	9708	Z5.522.7053.0	100	9708	Z5.522.7053.0	100
3. End plate with marking capability		07.340.4153.0	50		07.340.4153.0	50
				or	07.340.4353.0 *)	50
4. Partition with marking capability		07.340.1153.0	50		07.340.1153.0	50
				or	07.340.1353.0 *)	50
5. Jumper bar from E-Cu						
for 2 blocks		available on request			available on request	
for 3 blocks		available on request			available on request	
for 4 blocks		available on request			available on request	
6. Marking tag cover yellow		04.326.0056.0	100		04.326.0056.0	100
7. Marking plate		07.340.2153.0	50		07.340.2153.0	50
				or	07.340.2353.0 *)	50
*) When selecting the partition consider the air and creepage distances.						

For marking systems see pages 230-237

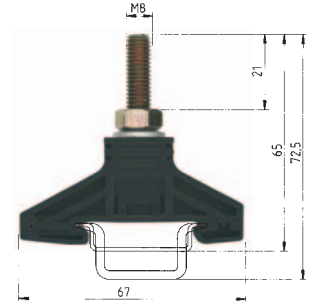
Ring lug terminal for TS 35 mm DIN rail

selos POWER LINE



BK M 6/35

V A
1000 V/8 kV/3¹⁾ 125



BK M 8/35

V A
1000 V/8 kV/3¹⁾ 150

DIN VDE 0110
UL ratings
CSA ratings
Width
Approvals

field/factory wiring

19.6 mm



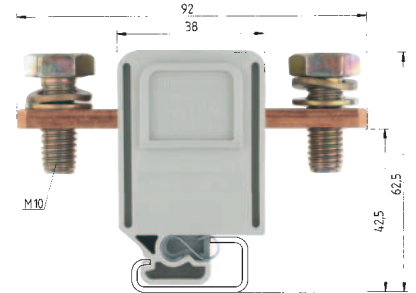
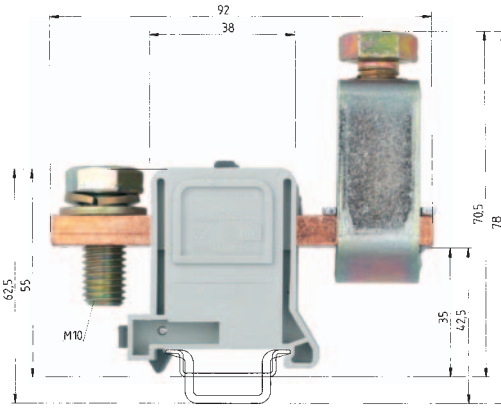
24.6 mm



Ring lug terminal	Type	Part No.	Std. Pack	Type	Part No.	Std. Pack
	BK M 6/35	32.530.0053.0	25	BK M 8/35	32.540.0053.0	25
Accessories						
1. Mounting rail TS 35, DIN rail, 7.5 mm high L = 2 m	35 x 27 x 7,5 EN 60715	98.300.0000.0	1	35 x 27 x 7,5 EN 60715	98.300.0000.0	1
Mounting rail TS 35, DIN rail 15 mm high L = 2 m	35 x 24 x 15 EN 60715	98.360.0000.0	1	35 x 24 x 15 EN 60715	98.360.0000.0	1
Mounting rail TS 35, G rail L = 2 m						
2. End clamp with U-foot 10 mm wide	WE 1/U	Z5.523.5753.0	100	WE 1/U	Z5.523.5753.0	100
End clamp TS35 with screw 8 mm wide	9708/2 S 35	Z5.522.8553.0	100	9708/2 S 35	Z5.522.8553.0	100
End clamp TS32 with screw 7.5 mm wide						
3. Partition plate	TW BK M 6/35	07.340.3553.0	25	TW BK M 8/35	07.340.3653.0	25
4. Jumper bar:						
from E-Cu						
for 2 pole	VB BK M 6/35-2	07.205.5227.0	20	VB BK M 8/35-2	07.205.7227.0	20
for 3 pole	VB BK M 6/35-3	07.205.5327.0	10	VB BK M 8/35-3	07.205.7327.0	10
6. Marking tag						
7. Cover	AD BK M 6-8/35	04.304.0181.0	1	AD BK M 6-8/35	04.304.0181.0	1
8. Installation clip		05.564.0753.0	10		05.564.0753.0	10
For marking systems see pages 230-237				¹⁾ with partition TW BK		

Terminal blocks for up to 240 mm² (500 MCM)

selos POWER LINE



DIN VDE 0611 Teil 1/EN 60947-7-1

UL ratings field/factory wiring

CSA ratings

Width Wire strip length

Approvals

RFK 1/95... S35

fine-stranded

16-95 mm²

6-3/0 AWG

6-3/0 AWG

32 mm

V

1000 V

600 V

600 V

A

250

200

27 mm



RFK 1/95... PA

fine-stranded

16-95 mm²

6-3/0 AWG

6-3/0 AWG

32 mm

V

1000 V

600 V

600 V

A

250

200

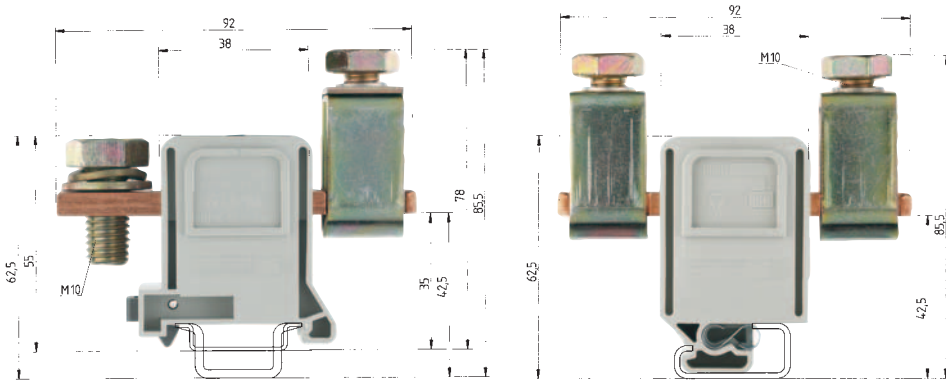
27 mm



			Type	Part No.	Std. Pack	Type	Part No.	Std. Pack
Configurations	gray	F	RFK 1/95 F S 35	56.395.0055.0	10	RFK 1/95 F PA	59.195.0055.0	10
	gray	K	RFK 1/95 K S 35	56.395.0155.0	10	RFK 1/95 K PA	59.195.0155.0	10
	gray	FK	RFK 1/95 FK S 35	56.395.0255.0	10	RFK 1/95 FK PA	59.195.0255.0	10
	gray	FM	RFK 1/95 FM S 35	56.395.1055.0	10	RFK 1/95 FM PA	59.195.1055.0	10
	gray	FMK	RFK 1/95 FMK S 35	56.395.1255.0	10	RFK 1/95 FMK PA	59.195.1255.0	10
Accessories								
1.	Mounting rail TS 35, DIN rail, 7.5 mm high	L = 2 m	35 x 27 x 7,5 EN 60715	98.300.0000.0	1			
	Mounting rail TS 35, DIN rail 15 mm high	L = 2 m	35 x 24 x 15 EN 60715	98.360.0000.0	1			
	Mounting rail TS 35, G rail	L = 2 m				9006 EN 60715 G-32	98.190.0000.0	1
2.	End clamp with U-foot	10 mm wide	WE 2/U	Z5.523.5653.0	100	WE 2/U	Z5.523.5653.0	100
	End clamp TS35 with screw	8 mm wide	9708/2 S35	Z5.522.8553.0	100	9708/2 S35	Z5.522.8553.0	100
	End clamp TS32 with screw	7.5 mm wide	9708	Z5.522.7053.0	100	9708	Z5.522.7053.0	100
3.	Cover for RFK 1/...	yellow		Z7.409.5753.0	10		Z7.409.5753.0	10
4.	Partition/end plate PA 66/6	2.8 mm thick	TE/RFK 1/95	07.340.0353.0	50	TE/RFK 1/95	07.340.0353.0	50
5.	Screws for fixation on the mounting rail					AM 5 x 12 DIN 933	06.065.0021.0	100
6.	Jumper bar for tab connection blocks	from E-Cu						
		for 2 blocks	VB RFK 1/95/2/32	07.205.1227.0	20	VB RFK 1/95/2/32	07.205.1227.0	20
		for 3 blocks	VB RFK 1/95/3/32	07.205.1327.0	10	VB RFK 1/95/3/32	07.205.1327.0	10
		for 4 blocks	VB RFK 1/95/4/32	07.205.1427.0	10	VB RFK 1/95/4/32	07.205.1427.0	10
For marking systems see pages 230-237								

Terminal blocks for up to 240 mm² (500 MCM)

selos



RFK 1/150... S35

	V	A
fine-stranded		
70-150 mm ²	1000 V	335
0 AWG - 300 MCM	600 V	275
0 AWG - 300 MCM	600 V	300
42 mm		27 mm



RFK 1/150... PA

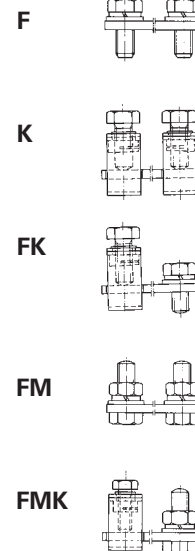
	V	A
fine-stranded		
70-150 mm ²	1000 V	335
0 AWG - 300 MCM	600 V	275
0 AWG - 300 MCM	600 V	300
42 mm		27 mm



mm ²	type	a x b	M I	M II	H	L	F	E
95	F, K, FK, FM, FMK	5 x 18	M 10	M 8	78	180	92	46
150	K, FK, FMK	6 x 26	M 12	M 10	85.5	200	92	46

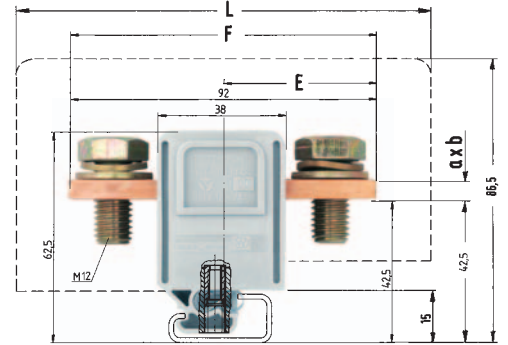
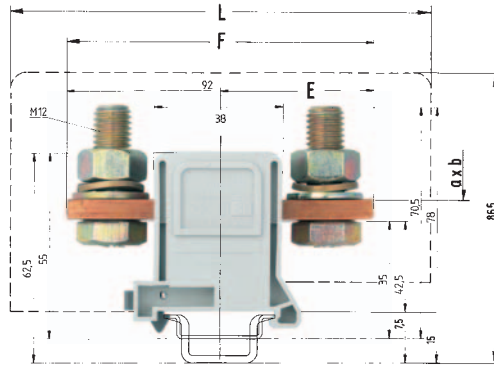
Type	Part No.	Std. Pack	Type	Part No.	Std. Pack
RFK 1/150 F S35	56.397.0055.0	10	RFK 1/150 K PA	59.197.0155.0	10
RFK 1/150 K S35	56.397.0155.0	10	RFK 1/150 FK PA	59.197.0255.0	10
RFK 1/150 FK S35	56.397.0255.0	10			
RFK 1/150 FMK S35	56.397.1255.0	10	RFK 1/150 FMK PA	59.197.1255.0	10
35 x 27 x 7,5 EN 60715	98.300.0000.0	1			
35 x 24 x 15 EN 60715	98.360.0000.0	1			
WE 2/U	Z5.523.5653.0	100	9006 EN 60715 G-32	98.190.0000.0	1
9708/2 S35	Z5.522.8553.0	100	WE 2/U	Z5.523.5653.0	100
9708	Z5.522.7053.0	100	9708/2 S 35	Z5.522.8553.0	100
	Z7.409.5853.0	10	9708	Z5.522.7053.0	100
TE/RFK 1/150 - 240 PA	07.340.1053.0	50		Z7.409.5853.0	10
			TE/RFK 1/150 - 240 PA	07.340.1053.0	50
			AM 5 x 12 DIN 933	06.065.0021.0	100
VB RFK 1/185/2	07.201.4227.0	10	VB RFK 1/185/2	07.201.4227.0	10
VB RFK 1/185/3	07.201.4327.0	10	VB RFK 1/185/3	07.201.4327.0	10
VB RFK 1/185/4	07.201.4427.0	10	VB RFK 1/185/4	07.201.4427.0	10

Configurations:



Terminal blocks for up to 240 mm² (500 MCM)

selos POWER LINE



RFK 1/185... S35

EN 60 947-7-1/DIN VDE 0611 T1
 UL ratings field/factory wiring
 CSA ratings
 Width Wire strip length
 Approvals

0 AWG - 400 kcmil
 0 AWG - 400 kcmil
 42 mm

V A
 1000 V/8 kV/3 353
 600 V 375
 600 V 375
 27 mm

RFK 1/185... PA

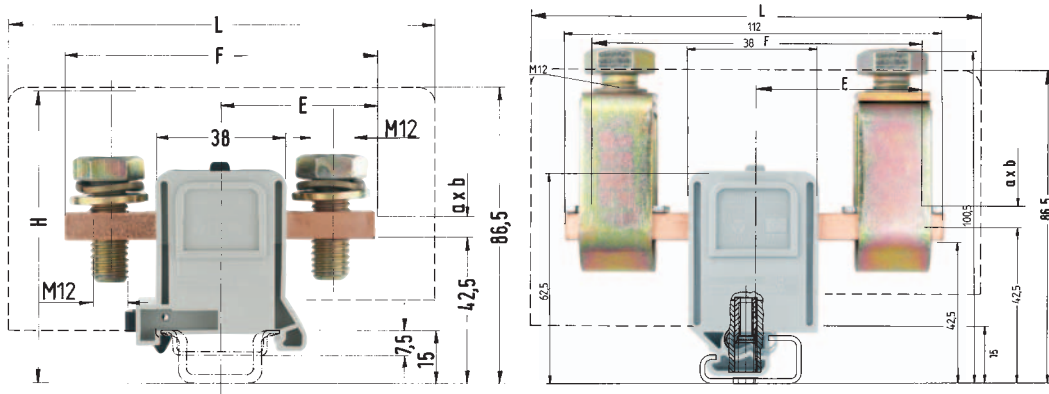
V A
 1000 V/8 kV/3 353
 0 AWG - 400 kcmil 600 V 375
 0 AWG - 400 kcmil 600 V 375
 42 mm 27 mm

Configuration	Type	Part No.	Std. Pack	Type	Part No.	Std. Pack
gray F	RFK 1/185 F S 35	56.398.0055.0	10	RFK 1/185 F PA	59.198.0055.0	10
gray K						
gray FK						
gray FM	RFK 1/185 FM S 35	56.398.1055.0	10	RFK 1/185 FM PA	59.198.1055.0	10
gray FMK						
Accessories						
1. Mounting rail TS 35, DIN rail, 7.5 mm high L = 2 m	35 x 27 x 7,5 EN 60715	98.300.0000.0	1			
Mounting rail TS 35, DIN rail 15 mm high L = 2 m	35 x 24 x 15 EN 60715	98.360.0000.0	1			
Mounting rail TS 35, G rail L = 2 m				9006 EN 60715 G-32	98.190.0000.0	1
2. End clamp with U-foot 10 mm wide	WE 2/U	Z5.523.5653.0	100	WE 2/U	Z5.523.5653.0	100
End clamp TS32 with screw 8 mm wide	9708/2 S35	Z5.522.8553.0	100			
End clamp TS32 with screw 7.5 mm wide				9708	Z5.522.7053.0	100
3. Cover for RFK 1/... yellow		Z7.409.5853.0	10		Z7.409.5853.0	10
4. Partition/end plate PA 66/6 2.8 mm thick	TE/RFK 1/150 - 240 PA	07.340.1053.0	50	TE/RFK 1/150 - 240 PA	07.340.1053.0	50
5. Screws for fixation on the mounting rail				AM 5 x 12 DIN 933	06.065.0021.0	100
6. Jumper bar for tab connection blocks from E-Cu						
for 2 blocks	VB RFK 1/185/2	07.201.4227.0	10	VB RFK 1/185/2	07.201.4227.0	10
for 3 blocks	VB RFK 1/185/3	07.201.4327.0	10	VB RFK 1/185/3	07.201.4327.0	10
for 4 blocks	VB RFK 1/185/4	07.201.4427.0	10	VB RFK 1/185/4	07.201.4427.0	10

For marking systems see pages 230-237

Terminal blocks for up to 240 mm² (500 MCM)

selos



RFK 1/240... S35

fine-stranded	stranded	V	A
70-240 mm ²	70-240 mm ²	1000 V/8 kV/3	415
0 AWG - 500 kcmil		600 V	375
3/0 AWG - 500 kcmil		600 V	425
42 mm			27 mm



RFK 1/240... PA

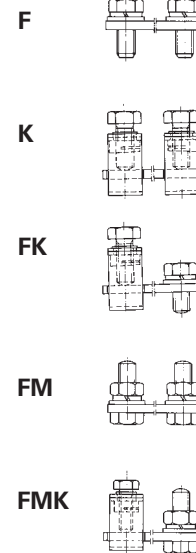
fine-stranded	stranded	V	A
70-240 mm ²	70-240 mm ²	1000 V/8 kV/3	415
0 AWG - 500 kcmil		600 V	375
3/0 AWG - 500 kcmil		600 V	425
42 mm			27 mm



mm ²	type	a x b	M I	M II	H	L	F	E
185	F, FM	6 x 26	M 12	-	-	200	92	46
	F, FM	8 x 26	M 12	-	-	200	92	46
240	FK, FMK	8 x 26	M 12	M 12	100.5	200	102	46
	K	8 x 26	-	M 12	100.5	200	112	56

Type	Part No.	Std. Pack	Type	Part No.	Std. Pack
RFK 1/240 F S 35 ^{*)}	56.399.0055.0	10	RFK 1/240 F PA ^{*)}	59.199.0055.0	10
RFK 1/240 K S 35	56.399.0155.0	10	RFK 1/240 K PA	59.199.0155.0	10
RFK 1/240 FK S 35 ^{*)}	56.399.0255.0	10	RFK 1/240 FK PA ^{*)}	59.199.0255.0	10
RFK 1/240 FM S 35 ^{*)}	56.399.1055.0	10	RFK 1/240 FM PA ^{*)}	59.199.1055.0	10
RFK 1/240 FMK S 35 ^{*)}	56.399.1255.0	10	RFK 1/240 FMK PA ^{*)}	59.199.1255.0	10
35 x 27 x 7,5 EN 60715	98.300.0000.0	1			
35 x 24 x 15 EN 60715	98.360.0000.0	1			
			9006 EN 60715 G-32	98.190.0000.0	1
WE 2/U	Z5.523.5653.0	100	WE 2/U	Z5.523.5653.0	100
9708/2 S 35	Z5.522.8553.0	100			
	Z7.409.5853.0	10	9708	Z5.522.7053.0	100
TE/RFK 1/150 - 240 PA	07.340.1053.0	50	TE/RFK 1/150 - 240 PA	07.340.1053.0	50
			AM 5 x 12 DIN 933	06.065.0021.0	100
VB RFK 1/240/2	07.201.8227.0	10	VB RFK 1/240/2	07.201.8227.0	10
VB RFK 1/240/3	07.201.8327.0	10	VB RFK 1/240/3	07.201.8327.0	10
VB RFK 1/240/4	07.201.8427.0	10	VB RFK 1/240/4	07.201.8427.0	10

Configurations:



^{*)} Only use ring terminals according to DIN 46234

Accessories for DIN rail terminal blocks

selos



Jumper combs, uninsulated

(for rated voltages of up to 50 V)

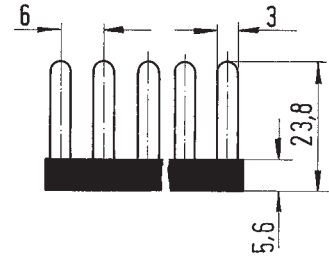
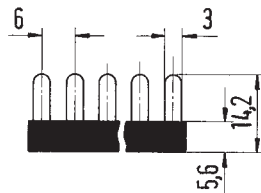
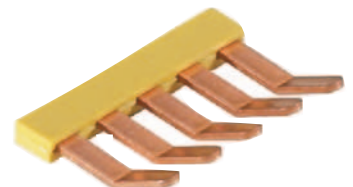
Label with handling instructions

selos

Type	Part No.	Std. Pack	Type	Part No.	Std. Pack	Type	Part No.	Std. Pack
WK 4 E/U			WK 4 TKM/U				05.563.5500.0	1
1 mm thick			WK 4/U					
2 pole VB WK 4 E-2	07.255.2227.0	10	WK 4 TKS D/U					
3 pole VB WK 4 E-3	07.255.2327.0	10	WK 4 TKG-TRST/U					
4 pole VB WK 4 E-4	07.255.2427.0	10	0.5 mm thick					
5 pole VB WK 4 E-5	07.255.2527.0	10	2 pole VB 0,5 WK 4..-2	07.255.0227.0	50			
6 pole VB WK 4 E-6	07.255.2627.0	10	3 pole VB 0,5 WK 4..-3	07.255.0327.0	50			
7 pole VB WK 4 E-7	07.255.2727.0	10	4 pole VB 0,5 WK 4..-4	07.255.0427.0	50			
8 pole VB WK 4 E-8	07.255.2827.0	10	5 pole VB 0,5 WK 4..-5	07.255.0527.0	10			
9 pole VB WK 4 E-9	07.255.2927.0	10	6 pole VB 0,5 WK 4..-6	07.255.0627.0	10			
10 pole VB WK 4 E-10	07.255.3027.0	10	7 pole VB 0,5 WK 4..-7	07.255.0727.0	50			
11 pole VB WK 4 E-11	07.255.3127.0	10	8 pole VB 0,5 WK 4..-8	07.255.0827.0	10			
12 pole VB WK 4 E-12	07.255.3227.0	10	9 pole VB 0,5 WK 4..-9	07.255.0927.0	50			
70 pole VB WK 4 EM-70	07.255.2027.0	10	10 pole VB 0,5 WK 4..-10	07.255.1027.0	50			
1 mm thick, angled			11 pole VB 0,5 WK 4..-11	07.255.1127.0	50			
2 pole VBS WK 4 E-2	07.256.4227.0	10	12 pole VB 0,5 WK 4..-12	07.255.1227.0	10			
3 pole VBS WK 4 E-3	07.256.4327.0	10	70 pole VB 0,5 WK 4.. M-70	07.255.0027.0	10			
4 pole VBS WK 4 E-4	07.256.4427.0	10	1 mm thick					
5 pole VBS WK 4 E-5	07.256.4527.0	10	2 pole VB 1 WK 4..-2	07.255.4227.0	10			
6 pole VBS WK 4 E-6	07.256.4627.0	10	3 pole VB 1 WK 4..-3	07.255.4327.0	10			
7 pole VBS WK 4 E-7	07.256.4727.0	10	4 pole VB 1 WK 4..-4	07.255.4427.0	10			
8 pole VBS WK 4 E-8	07.256.4827.0	10	5 pole VB 1 WK 4..-5	07.255.4527.0	10			
9 pole VBS WK 4 E-9	07.256.4927.0	10	6 pole VB 1 WK 4..-6	07.255.4627.0	10			
10 pole VBS WK 4 E-10	07.256.5027.0	10	7 pole VB 1 WK 4..-7	07.255.4727.0	10			
11 pole VBS WK 4 E-11	07.256.5127.0	10	8 pole VB 1 WK 4..-8	07.255.4827.0	10			
12 pole VBS WK 4 E-12	07.256.5227.0	10	9 pole VB 1 WK 4..-9	07.255.4927.0	10			
			10 pole VB 1 WK 4..-10	07.255.5027.0	10			
			11 pole VB 1 WK 4..-11	07.255.5127.0	10			
			12 pole VB 1 WK 4..-12	07.255.5227.0	10			
			70 pole VB 1 WK 4.. M-70	07.255.4027.0	10			

Accessories for DIN rail terminal blocks

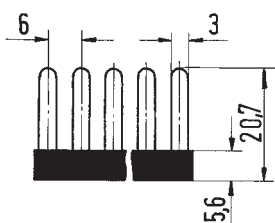
selos



Jumper comb, insulated

Type	Part No.	Std. Pack	Type	Part No.	Std. Pack	Type	Part No.	Std. Pack
for terminal blocks type			WK 4 E/U			WK 4 E/U		
			1 mm thick			1 mm thick, angled		
WK 2,5-4 KI/U			2 pole IVB WK 4 E-2	Z7.255.2227.0	10	2 pole IVBS WK 4 E-2	Z7.256.4227.0	10
WK 2,5-4 KI/U-NGN			3 pole IVB WK 4 E-3	Z7.255.2327.0	10	3 pole IVBS WK 4 E-3	Z7.256.4327.0	10
WK 2,5-4 KI/U-PGN			4 pole IVB WK 4 E-4	Z7.255.2427.0	10	4 pole IVBS WK 4 E-4	Z7.256.4427.0	10
WK 2,5-4 KI SL			5 pole IVB WK 4 E-5	Z7.255.2527.0	10	5 pole IVBS WK 4 E-5	Z7.256.4527.0	10
WK 2,5-4 KI SL-NGN			6 pole IVB WK 4 E-6	Z7.255.2627.0	10	6 pole IVBS WK 4 E-6	Z7.256.4627.0	10
WK 2,5-4 KI SL-PGN			7 pole IVB WK 4 E-7	Z7.255.2727.0	10	7 pole IVBS WK 4 E-7	Z7.256.4727.0	10
WK 2,5-3 D/U			8 pole IVB WK 4 E-8	Z7.255.2827.0	10	8 pole IVBS WK 4 E-8	Z7.256.4827.0	10
WK 2,5-3 D/U-NGN			9 pole IVB WK 4 E-9	Z7.255.2927.0	10	9 pole IVBS WK 4 E-9	Z7.256.4927.0	10
WK 2,5-3 D/U-PGN			10 pole IVB WK 4 E-10	Z7.255.3027.0	10	10 pole IVBS WK 4 E-10	Z7.256.5027.0	10
WK 2,5-3 D SL			11 pole IVB WK 4 E-11	Z7.255.3127.0	10	11 pole IVBS WK 4 E-11	Z7.256.5127.0	10
WK 2,5-3 D SL-NGN			12 pole IVB WK 4 E-12	Z7.255.3227.0	10	12 pole IVBS WK 4 E-12	Z7.256.5227.0	10
WK 2,5-3 D SL-PGN								
0.8 mm thick, angled, red			for lower tier blocks only			for lower tier blocks only		
2 pole IVB WK 2,5-K-2 rot	Z7.267.0227.5	10						
3 pole IVB WK 2,5-K-3 rot	Z7.267.0327.5	10						
4 pole IVB WK 2,5-K-4 rot	Z7.267.0427.5	10						
5 pole IVB WK 2,5-K-5 rot	Z7.267.0527.5	10						
6 pole IVB WK 2,5-K-6 rot	Z7.267.0627.5	10						
7 pole IVB WK 2,5-K-7 rot	Z7.267.0727.5	10						
8 pole IVB WK 2,5-K-8 rot	Z7.267.0827.5	10						
9 pole IVB WK 2,5-K-9 rot	Z7.267.0927.5	10						
10 pole IVB WK 2,5-K-10 rot	Z7.267.1027.5	10						
11 pole IVB WK 2,5-K-11 rot	Z7.267.1127.5	10						
12 pole IVB WK 2,5-K-12 rot	Z7.267.1227.5	10						
70 pole IVB WK 2,5-K M-70 rot	Z7.267.0027.5	10						
0.8 mm thick, angled, blue								
2 pole IVB WK 2,5-K-2 blau	Z7.267.0227.6	10						
3 pole IVB WK 2,5-K-3 blau	Z7.267.0327.6	10						
4 pole IVB WK 2,5-K-4 blau	Z7.267.0427.6	10						
5 pole IVB WK 2,5-K-5 blau	Z7.267.0527.6	10						
6 pole IVB WK 2,5-K-6 blau	Z7.267.0627.6	10						
7 pole IVB WK 2,5-K-7 blau	Z7.267.0727.6	10						
8 pole IVB WK 2,5-K-8 blau	Z7.267.0827.6	10						
9 pole IVB WK 2,5-K-9 blau	Z7.267.0927.6	10						
10 pole IVB WK 2,5-K-10 blau	Z7.267.1027.6	10						
11 pole IVB WK 2,5-K-11 blau	Z7.267.1127.6	10						
12 pole IVB WK 2,5-K-12 blau	Z7.267.1227.6	10						
70 pole IVB WK 2,5-K M-70 blau	Z7.267.0027.6	10						

Accessories for DIN rail terminal blocks



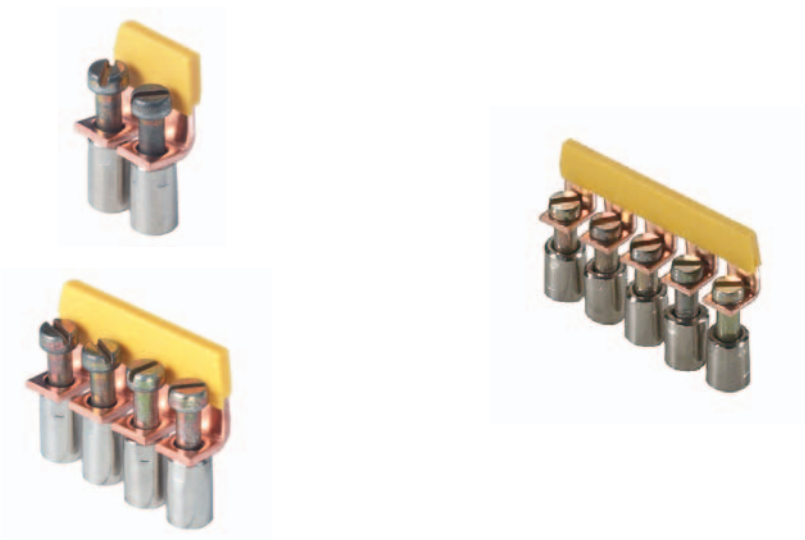
Jumper comb, insulated for installation blocks

Selectable connecting link

Type	Part No.	Std. Pack	Type	Part No.	Std. Pack	Type	Part No.	Std. Pack
WK 4 TKG/U			for terminal block type			for terminal block type		
WK 4 TKM/U								
WK 4/U			WKI 4 D-D			WK 2,5/U	Z7.269.4023.0	50
WK 4 TKS D/U			WKI 4 DU			WK 4/U	Z7.269.4123.0	50
WK 4 TKG-TRST/U			WKI 4 N-D-SL					
0.5 mm thick			WKI 4 NT-D-SL... (and variations)					
2 pole IVB 0,5 WK 4..-2	Z7.255.0227.0	10	WKI 4 NTN-D-SL					
3 pole IVB 0,5 WK 4..-3	Z7.255.0327.0	10	WKI 4 TGK-D-SL					
4 pole IVB 0,5 WK 4..-4	Z7.255.0427.0	10	WKI 4 D-D-SL			WK 6/U	Z7.269.4223.0	50
5 pole IVB 0,5 WK 4..-5	Z7.255.0527.0	10	0.5 mm thick, 6 mm spacing yellow					
6 pole IVB 0,5 WK 4..-6	Z7.255.0627.0	10	2 pole IVB 0,5 WK 4..-2	Z7.255.0227.0	10			
7 pole IVB 0,5 WK 4..-7	Z7.255.0727.0	10	3 pole IVB 0,5 WK 4..-3	Z7.255.0327.0	10	WK 4 E/..	Z7.269.2923.0	50
8 pole IVB 0,5 WK 4..-8	Z7.255.0827.0	10	4 pole IVB 0,5 WK 4..-4	Z7.255.0427.0	10			
9 pole IVB 0,5 WK 4..-9	Z7.255.0927.0	10	5 pole IVB 0,5 WK 4..-5	Z7.255.0527.0	10			
10 pole IVB 0,5 WK 4..-10	Z7.255.1027.0	10	6 pole IVB 0,5 WK 4..-6	Z7.255.0627.0	10	WKM 2,5	Z7.269.3623.0	50
11 pole IVB 0,5 WK 4..-11	Z7.255.1127.0	10	7 pole IVB 0,5 WK 4..-7	Z7.255.0727.0	10			
12 pole IVB 0,5 WK 4..-12	Z7.255.1227.0	10	8 pole IVB 0,5 WK 4..-8	Z7.255.0827.0	10			
			9 pole IVB 0,5 WK 4..-9	Z7.255.0927.0	10			
1 mm thick			10 pole IVB 0,5 WK 4..-10	Z7.255.1027.0	10	WKM 4	Z7.269.0623.0	50
2 pole IVB 1 WK 4..-2	Z7.255.4227.0	10	11 pole IVB 0,5 WK 4..-11	Z7.255.1127.0	10			
3 pole IVB 1 WK 4..-3	Z7.255.4327.0	10	12 pole IVB 0,5 WK 4..-12	Z7.255.1227.0	10			
4 pole IVB 1 WK 4..-4	Z7.255.4427.0	10						
5 pole IVB 1 WK 4..-5	Z7.255.4527.0	10	1 mm thick, 6 mm spacing yellow					
6 pole IVB 1 WK 4..-6	Z7.255.4627.0	10	2 pole IVB 1 WK 4..-2	Z7.255.4227.0	10	Selectable connecting links reduce the nominal voltage to 380 V!		
7 pole IVB 1 WK 4..-7	Z7.255.4727.0	10	3 pole IVB 1 WK 4..-3	Z7.255.4327.0	10			
8 pole IVB 1 WK 4..-8	Z7.255.4827.0	10	4 pole IVB 1 WK 4..-4	Z7.255.4427.0	10	Link:	nickel-plated brass	
9 pole IVB 1 WK 4..-9	Z7.255.4927.0	10	5 pole IVB 1 WK 4..-5	Z7.255.4527.0	10	Bolt:	nickel-plated brass	
10 pole IVB 1 WK 4..-10	Z7.255.5027.0	10	6 pole IVB 1 WK 4..-6	Z7.255.4627.0	10	Screw:	zinc-plated steel	
11 pole IVB 1 WK 4..-11	Z7.255.5127.0	10	7 pole IVB 1 WK 4..-7	Z7.255.4727.0	10			
12 pole IVB 1 WK 4..-12	Z7.255.5227.0	10	8 pole IVB 1 WK 4..-8	Z7.255.4827.0	10			
			9 pole IVB 1 WK 4..-9	Z7.255.4927.0	10			
			10 pole IVB 1 WK 4..-10	Z7.255.5027.0	10			
			11 pole IVB 1 WK 4..-11	Z7.255.5127.0	10			
			12 pole IVB 1 WK 4..-12	Z7.255.5227.0	10			

Accessories for DIN rail terminal blocks

selos

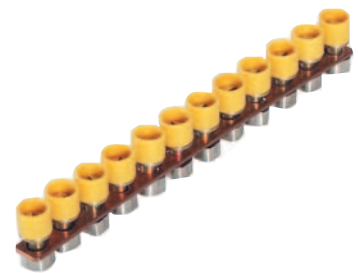


Cross connectors (jumper bars), insulated

Type	Part No.	Std. Pack	Type	Part No.	Std. Pack	Type	Part No.	Std. Pack
for terminal blocks type			WK 4/U	Spacing	Screw	WK 4 E/U	Spacing	Screw
WK 2,5 U	Spacing	Screw	WK 4 TKS D/U	6 mm	M3	WKM 4	6 mm	M3
	5 mm	M2.5	2 pole IVB WK 4-2	Z7.281.1227.0	10	2 pole IVB WK 4E/U-2	Z7.271.2227.0	10
2 pole IVB WK 2,5-2	Z7.280.2227.0	10	3 pole IVB WK 4-3	Z7.281.1327.0	10	3 pole IVB WK 4E/U-3	Z7.271.2327.0	10
3 pole IVB WK 2,5-3	Z7.280.2327.0	10	4 pole IVB WK 4-4	Z7.281.1427.0	10	4 pole IVB WK 4E/U-4	Z7.271.2427.0	10
4 pole IVB WK 2,5-4	Z7.280.2427.0	10	5 pole IVB WK 4-5	Z7.281.1527.0	10	5 pole IVB WK 4E/U-5	Z7.271.2527.0	10
5 pole IVB WK 2,5-5	Z7.280.2527.0	10	6 pole IVB WK 4-6	Z7.281.1627.0	10	6 pole IVB WK 4E/U-6	Z7.271.2627.0	10
6 pole IVB WK 2,5-6	Z7.280.2627.0	10	7 pole IVB WK 4-7	Z7.281.1727.0	10	7 pole IVB WK 4E/U-7	Z7.271.2727.0	10
7 pole IVB WK 2,5-7	Z7.280.2727.0	10	8 pole IVB WK 4-8	Z7.281.1827.0	10	8 pole IVB WK 4E/U-8	Z7.271.2827.0	10
8 pole IVB WK 2,5-8	Z7.280.2827.0	10	9 pole IVB WK 4-9	Z7.281.1927.0	10	9 pole IVB WK 4E/U-9	Z7.271.2927.0	10
9 pole IVB WK 2,5-9	Z7.280.2927.0	10	10 pole IVB WK 4-10	Z7.281.2027.0	10	10 pole IVB WK 4E/U-10	Z7.271.3027.0	10
10 pole IVB WK 2,5-10	Z7.280.3027.0	10	11 pole IVB WK 4-11	Z7.281.2127.0	10	11 pole IVB WK 4E/U-11	Z7.271.3127.0	10
11 pole IVB WK 2,5-11	Z7.280.3127.0	10	12 pole IVB WK 4-12	Z7.281.2227.0	10	12 pole IVB WK 4E/U-12	Z7.271.3227.0	10
12 pole IVB WK 2,5-12	Z7.280.3227.0	10				WK 4/D 1/2 U	Spacing	Screw
WK 2,5-3 D/U	Spacing	Screw				WK 4/D 2/2 U	6 mm	M3
WK 2,5-3 D SL	6 mm	M2.5				2 pole IVB WK 4/D..-2	Z7.281.7227.0	10
2 pole IVB WK 2,5-3 D-2	Z7.270.0227.0	10				3 pole IVB WK 4/D..-3	Z7.281.7327.0	10
3 pole IVB WK 2,5-3 D-3	Z7.270.0327.0	10				4 pole IVB WK 4/D..-4	Z7.281.7427.0	10
4 pole IVB WK 2,5-3 D-4	Z7.270.0427.0	10				5 pole IVB WK 4/D..-5	Z7.281.7527.0	10
5 pole IVB WK 2,5-3 D-5	Z7.270.0527.0	10				6 pole IVB WK 4/D..-6	Z7.281.7627.0	10
6 pole IVB WK 2,5-3 D-6	Z7.270.0627.0	10				7 pole IVB WK 4/D..-7	Z7.281.7727.0	10
7 pole IVB WK 2,5-3 D-7	Z7.270.0727.0	10				8 pole IVB WK 4/D..-8	Z7.281.7827.0	10
8 pole IVB WK 2,5-3 D-8	Z7.270.0827.0	10				9 pole IVB WK 4/D..-9	Z7.281.7927.0	10
9 pole IVB WK 2,5-3 D-9	Z7.270.0927.0	10				10 pole IVB WK 4/D..-10	Z7.281.8027.0	10
10 pole IVB WK 2,5-3 D-10	Z7.270.1027.0	10				11 pole IVB WK 4/D..-11	Z7.281.8127.0	10
11 pole IVB WK 2,5-3 D-11	Z7.270.1127.0	10				12 pole IVB WK 4/D..-12	Z7.281.8227.0	10
12 pole IVB WK 2,5-3 D-12	Z7.270.1227.0	10				WK 4/DEU	Spacing	Screw
70 pole IVB WK 2,5-3 D M-70	Z7.270.0027.0	10				6 mm	M3	
						2 pole IVB WK 4/DEU-2	Z7.271.0227.0	10
						3 pole IVB WK 4/DEU-3	Z7.271.0327.0	10
						4 pole IVB WK 4/DEU-4	Z7.271.0427.0	10
						5 pole IVB WK 4/DEU-5	Z7.271.0527.0	10
						6 pole IVB WK 4/DEU-6	Z7.271.0627.0	10
						7 pole IVB WK 4/DEU-7	Z7.271.0727.0	10
						8 pole IVB WK 4/DEU-8	Z7.271.0827.0	10
						9 pole IVB WK 4/DEU-9	Z7.271.0927.0	10
						10 pole IVB WK 4/DEU-10	Z7.271.1027.0	10
						11 pole IVB WK 4/DEU-11	Z7.271.1127.0	10
						12 pole IVB WK 4/DEU-12	Z7.271.1227.0	10

Accessories for DIN rail terminal blocks

selos



Cross connectors for installation blocks

Type	Part No.	Std. Pack	Type	Part No.	Std. Pack	
WK 6/U	Spacing	Screw	WKN 16/U	Spacing	Screw	for terminal block types
	8 mm	M3,5		12 mm	M4	
2 pole IVB WK 6-2	Z7.282.2227.0	10	2 pole IVB WKN 16-2	Z7.284.2227.0	10	
3 pole IVB WK 6-3	Z7.282.2327.0	10	3 pole IVB WKN 16-3	Z7.284.2327.0	10	
4 pole IVB WK 6-4	Z7.282.2427.0	10	4 pole IVB WKN 16-4	Z7.284.2427.0	10	
5 pole IVB WK 6-5	Z7.282.2527.0	10	5 pole IVB WKN 16-5	Z7.284.2527.0	10	WKI 4 D-D
6 pole IVB WK 6-6	Z7.282.2627.0	10	6 pole IVB WKN 16-6	Z7.284.2627.0	10	WKI 4 DU
7 pole IVB WK 6-7	Z7.282.2727.0	10	7 pole IVB WKN 16-7	Z7.284.2727.0	10	WKI 4 N-D-SL
8 pole IVB WK 6-8	Z7.282.2827.0	10	8 pole IVB WKN 16-8	Z7.284.2827.0	10	WKI 4 NT-D-SL... (and variations)
9 pole IVB WK 6-9	Z7.282.2927.0	10	9 pole IVB WKN 16-9	Z7.284.2927.0	10	WKI 4 NTN-D-SL
10 pole IVB WK 6-10	Z7.282.3027.0	10	10 pole IVB WKN 16-10	Z7.284.3027.0	10	WKI 4 TKG-D-SL
11 pole IVB WK 6-11	Z7.282.3127.0	10	11 pole IVB WKN 16-11	Z7.284.3127.0	10	WKI 4 D-D-SL
12 pole IVB WK 6-12	Z7.282.3227.0	10	12 pole IVB WKN 16-12	Z7.284.3227.0	10	
			30 pole IVB WKN 16 M-30	Z7.284.2027.0	10	Cross connectors, uninsulated
WKN 10/U	Spacing	Screw	WKN 35/U	Spacing	Screw	2 pole 9703/6-2 Z7.211.0227.0 50
WKI 10/U	10 mm	M3,5		16 mm	M5	3 pole 9703/6-3 Z7.211.0327.0 50
2 pole IVB WKN 10-2	Z7.283.2227.0	10	2 pole IVB WKN 35-2	Z7.285.2227.0	5	4 pole 9703/6-4 Z7.211.0427.0 50
3 pole IVB WKN 10-3	Z7.283.2327.0	10	3 pole IVB WKN 35-3	Z7.285.2327.0	5	5 pole 9703/6-5 Z7.211.0527.0 50
4 pole IVB WKN 10-4	Z7.283.2427.0	10	4 pole IVB WKN 35-4	Z7.285.2427.0	5	6 pole 9703/6-6 Z7.211.0627.0 50
5 pole IVB WKN 10-5	Z7.283.2527.0	10	5 pole IVB WKN 35-5	Z7.285.2527.0	5	70 pole 9703/6 M-70 Z7.211.0027.0 10
6 pole IVB WKN 10-6	Z7.283.2627.0	10	6 pole IVB WKN 35-6	Z7.285.2627.0	5	
7 pole IVB WKN 10-7	Z7.283.2727.0	10	7 pole IVB WKN 35-7	Z7.285.2727.0	5	Cross connectors, insulated
8 pole IVB WKN 10-8	Z7.283.2827.0	10	8 pole IVB WKN 35-8	Z7.285.2827.0	5	12 pole IVB WKI 4-12 Z7.271.5227.0 10
9 pole IVB WKN 10-9	Z7.283.2927.0	10	9 pole IVB WKN 35-9	Z7.285.2927.0	5	
10 pole IVB WKN 10-10	Z7.283.3027.0	10	10 pole IVB WKN 35-10	Z7.285.3027.0	5	
11 pole IVB WKN 10-11	Z7.283.3127.0	10	11 pole IVB WKN 35-11	Z7.285.3127.0	5	
12 pole IVB WKN 10-12	Z7.283.3227.0	10	12 pole IVB WKN 35-12	Z7.285.3227.0	5	
			20 pole IVB WKN 35 M-20	Z7.285.2027.0	10	
WKI 16/U						
2 pole IVB WKI 16-2	Z7.284.9227.0	10				
3 pole IVB WKI 16-3	Z7.284.9327.0	10				
4 pole IVB WKI 16-4	Z7.284.9427.0	10				
5 pole IVB WKI 16-5	Z7.284.9527.0	10				
6 pole IVB WKI 16-6	Z7.284.9627.0	10				
WKI 35/U						
2 pole IVB WKI 35-2	Z7.285.4227.0	5				
3 pole IVB WKI 35-3	Z7.285.4327.0	5				
4 pole IVB WKI 35-4	Z7.285.4427.0	5				
5 pole IVB WKI 35-5	Z7.285.4527.0	5				
6 pole IVB WKI 35-6	Z7.285.4627.0	5				

Accessories for DIN rail terminal blocks

selos



Cross connectors, (jumper bars) uninsulated

Type	Part No.	Std. Pack	Type	Part No.	Std. Pack	Type	Part No.	Std. Pack
for terminal blocks type			WK 4/U	Spacing	Screw	WK 6/U	Spacing	Screw
WK 2,5/U	Spacing	Screw	WK 4TKS D/U	6 mm	M3	8 mm	M3,5	
WKN 2,5 E/U	5 mm	M2,5	2 pole VB WK 4-2	Z7.281.0227.0	10	2 pole VB WK 6-2	Z7.282.0227.0	10
2 pole VB WK 2,5-2	Z7.280.0227.0	10	3 pole VB WK 4-3	Z7.281.0327.0	10	3 pole VB WK 6-3	Z7.282.0327.0	10
3 pole VB WK 2,5-3	Z7.280.0327.0	10	4 pole VB WK 4-4	Z7.281.0427.0	10	4 pole VB WK 6-4	Z7.282.0427.0	10
4 pole VB WK 2,5-4	Z7.280.0427.0	10	5 pole VB WK 4-5	Z7.281.0527.0	10	5 pole VB WK 6-5	Z7.282.0527.0	10
5 pole VB WK 2,5-5	Z7.280.0527.0	10	6 pole VB WK 4-6	Z7.281.0627.0	10	6 pole VB WK 6-6	Z7.282.0627.0	10
6 pole VB WK 2,5-6	Z7.280.0627.0	10	70 pole VB WK 4 M-70	Z7.281.0027.0	10	40 pole VB WK 6 M-40	Z7.282.0027.0	10
80 pole VB WK 2,5 M-80	Z7.280.0027.0	10	every 2nd pole 30 pole	Z7.281.1027.0	10			
every 2nd pole 40 pole	Z7.280.1027.0	10						
WKM 2,5/15	Spacing	Screw	WK 4/D 1/2 U	Spacing	Screw	WK 10/Si U 5 x 20	Spacing	Screw
WKM 2,5 F1/15	5 mm	M2,5	WK 4/D 2/2 U	6 mm	M3	WK 10/Si U 5 x 25	12 mm	M3
WKM 2,5 F2/15			2 pole VB WK 4 D...-2	Z7.281.6227.0	10	WK 10/Si U 5 x 30		
2 pole VB WKM 2,5/15-2	Z7.215.4227.0	50	3 pole VB WK 4 D...-3	Z7.281.6327.0	10	WK 10/Si U 6,3 x 32		
3 pole VB WKM 2,5/15-3	Z7.215.4327.0	50	4 pole VB WK 4 D...-4	Z7.281.6427.0	10	WK 10/Si UD		
4 pole VB WKM 2,5/15-4	Z7.215.4427.0	50	5 pole VB WK 4 D...-5	Z7.281.6527.0	10	2 pole VB WK 10/Si-2	Z7.287.0227.0	10
5 pole VB WKM 2,5/15-5	Z7.215.4527.0	50	6 pole VB WK 4 D...-6	Z7.281.6627.0	10	3 pole VB WK 10/Si-3	Z7.287.0327.0	10
6 pole VB WKM 2,5/15-6	Z7.215.4627.0	50	70 pole VB WK 4 D... M-70	Z7.281.6027.0	10	4 pole VB WK 10/Si-4	Z7.287.0427.0	10
60 pole VB WKM 2,5/15 M-60	Z7.215.4027.0	10				5 pole VB WK 10/Si-5	Z7.287.0527.0	10
			WKM 4/15	Spacing	Screw	6 pole VB WK 10/Si-6	Z7.287.0627.0	10
			WK 4/D EU	6 mm	M3	30 pole VB WK 10/Si M-30	Z7.287.0027.0	10
			WK 4 E/U					
			WK 4 E/U GU ORANGE			WKN 10/U	Spacing	Screw
			WK 4 E/U GO			10 mm	M3,5	
			WK 4 E/U G2			2 pole VB WKN 10-2	Z7.283.6227.0	10
			WK 4 E/U G1 ORANGE			3 pole VB WKN 10-3	Z7.283.6327.0	10
			WK 4 E/U G-URL			4 pole VB WKN 10-4	Z7.283.6427.0	10
			WK 4 E/U G-U LR			5 pole VB WKN 10-5	Z7.283.6527.0	10
			WK 4 E/U V B SCHWARZ			6 pole VB WKN 10-6	Z7.283.6627.0	10
			2 pole 9215 - 2	Z7.210.3227.0	50	40 pole VB WKN 10 M-40	Z7.283.6027.0	10
			3 pole 9215 - 3	Z7.210.3327.0	50			
			4 pole 9215 - 4	Z7.210.3427.0	50	WKN 70/U	Spacing	Screw
			5 pole 9215 - 5	Z7.210.3527.0	50	24 mm	M6	
			6 pole 9215 - 6	Z7.210.3627.0	50	2 pole VB WKN 70-2	Z7.286.3227.0	5
			70 pole 9215 M-70	Z7.210.3027.0	10	3 pole VB WKN 70-3	Z7.286.3327.0	5
						4 pole VB WKN 70-4	Z7.286.3427.0	5
						5 pole VB WKN 70-5	Z7.286.3527.0	5
						6 pole VB WKN 70-6	Z7.286.3627.0	5
						WKN 150/U	Spacing	Screw
						28 mm	M8	
						2 pole VB WKN 150-2	Z7.287.1227.0	5
						3 pole VB WKN 150-3	Z7.287.1327.0	5

selos

Accessories for DIN rail terminal blocks

selos



Test plug

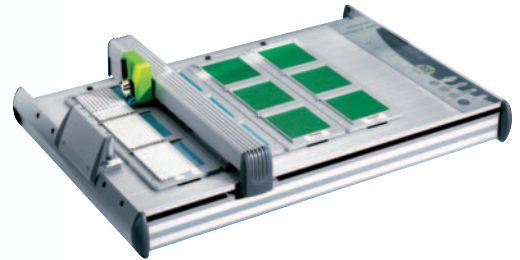
Short-circuit plug

Test plug (tests off the current bar)

Type	Part No.	Std. Pack	Type	Part No.	Std. Pack	Type	Part No.	Std. Pack
Test plug 250 V/2 A			Short-circuit plug			Snap-on with		
WK 2,5			WK 4 TKG-TRST P3/U			locking lever		
WKN 2,5 E/U			WK 4/TKM.../U			for terminal block type		
WK 2,5-3 D/U			WK 4 TKS D/U					
WK 4 TKMP 3/U			WK 4/U F1			WK 4 230 V/2 A	Z1.299.6153.0	10
WK 4 TKG-TRST P3/U			WK 4/U F2					
WK 4 TKS D/U			9290...	Z5.553.9400.0	100	WK 4 E/U 230 V/5 A	Z1.299.9053.0	10
WK 2,5 U/8113 S/H								
WK 4/U F1						Test plug without locking lever		
WK 4/U F2						snap-on	Z1.299.8153.0	10
WK 4								
WK 4/D1/2 U								
WK 4/D2/2 U								
WK 4/DEU								
WK 4 E.../U								
9290...	ST 2/2,3 rot	Z5.553.2921.0						
	ST 2/2,3 schwarz	Z5.533.2921.1						
	ST 2/2,3 blau	Z5.553.2921.6						
WK 6	ST 2/4	Z5.553.3021.0						
Test Sockets								
WK 2,5								
WKN 2,5 E/U								
WK 2,5-3 D/U								
WK 2,5-3 D SL								
WK 2,5 U/8113 S/H	05.509.6021.0	10						
WK 4								
WK 4 TKS D/U								
WK 4/U F1								
WK 4/U F2	05.508.8921.0	10						
WK 4/D1/2 U								
WK 4/D2/2 U								
WK 4/DEU								
WK 4 E.../U	05.508.8821.0	10						
						For marking systems see pages 230-237		

Marking accessories for DIN rail terminal blocks

selos



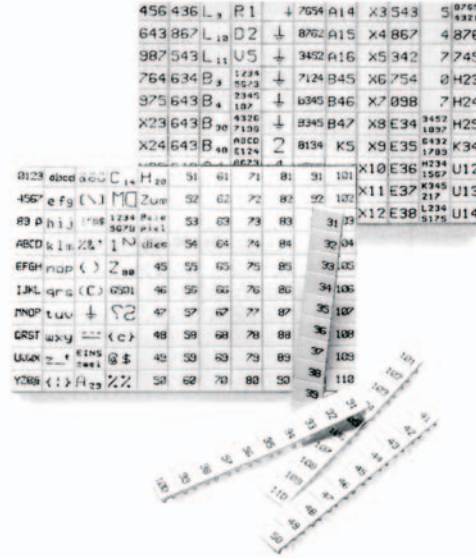
DIN rail terminal block software *wieplan*

wiemarc

wieplot 500

Type	Part No.	Std. Pack	Type	Part No.	Std. Pack	Type	Part No.	Std. Pack
wieplan CD	95.502.1000.0	1	wiemarc CD	95.502.0501.0	1	Description		
Description: <i>wieplan</i> is software for terminal strip configuration.			Description <i>wiemarc</i> is a Windows® based plotter software (Windows 95/98/ME/NT/XP) that is able to drive the following plotter systems:			With <i>wiemarc</i> you can create custom marking data for standard Wieland marking tags on your PC. These can then be output to the <i>wieplot</i> 500 plotter system onto standard Wieland marking plates.		
The software provides the following modules:			– <i>wieplot</i> MUT (Mutoh system) – <i>wieplot</i> 500			Resolution: 0.01 mm Accuracy: +/- 0.05 mm Power supply: 50/60 Hz, 100 – 240 V, Output voltage 24 V DC 1.4 A		
– Project management – Plausibility check – Selection of components – Selection of accessories – Output of drawings – Output of parts lists – Order output			<i>wiemarc</i> makes preparing data for custom printing easier and faster than ever. Intuitive handling allows printing of marking tag cards in single, multiple and series marking jobs. Import of marking data from Excel files, text files and CAD/CAE programs is possible.			Power consumption: approx. 0.3 A at 220 V Approvals: UL1950 CSA 950 and VDE EN 60 950		
System requirements: Pentium 2 or compatible; min. 200 MHz; CD-ROM drive; 32 MByte RAM, VGA graphics adapter and monitor.			<i>wiemarc</i> data file management is user-friendly as print data can be stored and found very easily in the file library. <i>wiemarc</i> knows several special characters for electrical marking. <i>wiemarc</i> is able to mark tags with upward or downward series, series steps can be chosen as well as leading or following characters. Multiple line printing is possible depending on tag size, number of digits and type size. Automatic adaptation of type size according to tag size and number of digits.			Radio interference suppression: FCC class B FCC part 15 and VDE class B Dimensions: 660 mm x 440 mm x 125 mm Weight: 8 kg Interfaces: USB level 1.1, parallel (Centronics)		
			Requirements: Pentium II PC or compatible, min. 200 MHz or higher, 64 MByte RAM, CD-ROM Drive, VGA Graphic Adaptor and Monitor			Plotter <i>wieplot</i> 500 95.502.0603.0 1 Complete package 95.502.0604.0 1 consisting of: – Plotter <i>wieplot</i> 500 (including data cable and manual) – Receptacle for WSB* (4 pcs.) – Accessories kit – Software <i>wiemarc</i>		
			<i>wiemarc</i> supports Windows 95®, Windows 98®, Windows 2000®, Windows NT®, Windows ME® and Windows XP® Professional.			Receptacle for WSB* 95.502.0620.0 1 Receptacle for BZ/WKF 1,5 95.502.0627.0 1 BZ/WKF 1,5/10 95.502.0628.0 1		
						* WSB (=Wieland standard marking system)		

Marking accessories for DIN rail terminal blocks



Marking computer in system kit

Accessories

Type	Part No.	Type	Part No.	Std. Pack	Type	Part No.	Std. Pack
Accessory kit consists of plotter pen 0.25 mm, Ink-cartridge, permanent plotter pen 0.3 mm and cleaning set.		Marker cards:			Marking computer for markingcards		
Accessory kit (pen basic equipment)	95.502.0610.0	110 tags per card, 5 x 8.3 mm			marcom 2	95.502.0000.0	1
		60 tags per card, 5 x 14 mm					
		9075 A/5/10/11	Z4.242.5053.0	10			
		9075 AL/5/10/6	Z4.242.5153.0	10			
Plotter pens for ROLAND and wieplot MUT systems:		110 tags per card, 6 x 8.3 mm					
Plotter pen 0.18 mm	95.502.0118.0	9075 A/6/10/11	Z4.242.6053.0	10	Description		
Plotter pen 0.25 mm	95.502.0125.0	60 tags per card, 6 x 14 mm			wieland marcom 2 is a openly programmable marking computer for marking tags of DIN rail terminal blocks, pluggable connectors, cables and switching devices. The program technology with flexible menu control produces excellent results requiring only few input. Entry of a sequence of figures is automatically limited by the parameters of the selected marking tags, eliminating incorrect print-out. Repeated operations can be saved as so-called JOBS and are therefore immediately available for print-out without further entries. The computer disposes of a large number of fonts, with numerical, alphanumerical (small/capital letters) and symbolic characters.		
Plotter pen 0.35 mm	95.502.0135.0	9075 AL/6/10/6	Z4.242.6353.0	10	marcom 2 is powered by an attached power supply. For a mains-independent operation, the marcom 2 Power Pack is available.		
Plotter pen 0.50 mm	95.502.0150.0	70 tags per card, 8 x 8.3 mm					
Plotter pen 0.70 mm	95.502.0170.0	9075 A/8/10/7	Z4.242.8053.0	10			
Plotter pen 1.00 mm	95.502.0100.0	for block center marking					
Permanent Plotter pen		BZ/WKF 1,5	04.243.2053.0	100			
0.30 mm black	95.502.0230.0	for outside marking					
0.70 mm black	95.502.0270.0	BZ/WKF 1,5/10	Z4.243.2053.0	10			
Permanent Plotter pen set							
consisting of black, red, blue, green pen.							
set 0.30 mm	95.502.0234.0						
set 0.70 mm	95.502.0274.0						
Hand pens							
Hand pen 0.25 mm	95.502.0425.0						
Hand pen 0.35 mm	95.502.0435.0						
Hand pen 0.50 mm	95.502.0450.0						
Hand pen 0.70 mm	95.502.0470.0						
Ink cartridge P1.0 5 x 1 ml	95.502.0199.0						
Cleaning set	95.502.0198.0						
Pen cleaner	95.502.0197.0						
Dust protection hood	95.502.0612.0						
Service kit for pen station	95.502.0613.0						
Kit with sealing inserts							
wiemarc receptacles for Wieland marking plates; available on request for modifying plotter systems of other suppliers in order to use them together with wiemarc							

	9075A/5/10/11	9075AL/5/10/6	9075A/6/10/11	9075AL/6/10/6	9075A/6/7/12/7	9075AL/6/7/12/7	9075A/8/10/7
fasis							
WKF 2.5 ...	X	X		X			
WKF 4 ...			X	X			
WKF 6 ...					X	X*	X
WKF 10 ...	X*	X*					
WKF 16 ...			X*	X*			
WKMF 2.5 ...	X	X					
taris							
WKC 1 ...	X	X					
WKC 2.5 ...			X	X			
selos							
WK 2.5 ...	X	X					
WK 4 ...			X	X			
WK 6 ...					X*	X*	X
WKN 10 ...	X*	X*					
WKN 16 ...			X*	X*			
WKN 35 ...					X*	X*	X*
WKN 70 ...					X*	X*	
WKM 2.5 ...	X	X					
WKM 4 ...			X	X			
9220 A/6			X	X			
9700 A/5	X	X					
9700 A/6			X	X			
9700 A/8					X*	X*	X
9700 A/10	X*	X*					
9700 A/12			X*	X*			
9700 A/16					X*	X*	

* 2 strips needed for 10 terminals
+ markers must be mounted individually
Note: the AL-markers are 69% longer than the A-markers
AL/6.7 is twice as long to allow more printing area

Marking accessories for DIN rail terminal blocks

selos



2.5 mm²/5 mm width

4 mm²/6 mm width

6 mm²/8 mm width

Type	Part No.	Std. Pack	Type	Part No.	Std. Pack	Type	Part No.	Std. Pack
Marking strips, unmarked			Marking strips, unmarked			Marking strips, unmarked		
9705 A/5/10	04.242.5053.0	25	9705 A/6/10	04.242.6053.0	25	9705 A/8/10	04.242.8053.0	25
Marking strips, marked			Marking strips, marked			Marking strips, marked		
9705 A/5/9 B 1 - 9	04.842.4953.0	25	9705 A/6/9 B 1 - 9	04.842.5953.0	25	9705 A/8/9 B 1 - 9	04.842.7953.0	25
9705 A/5/10 B*	04.842.5053.0	25	9705 A/6/10 B*	04.842.6053.0	25	9705 A/8/10 B*	04.842.8053.0	25
9705 A/5/10 B 1 - 10	04.845.0153.0	25	9705 A/6/10 B 1 - 10	04.846.0153.0	25	9705 A/8/10 B 1 - 10	04.848.0153.0	25
11 - 20	04.845.0253.0	25	11 - 20	04.846.0253.0	25	11 - 20	04.848.0253.0	25
21 - 30	04.845.0353.0	25	21 - 30	04.846.0353.0	25	21 - 30	04.848.0353.0	25
31 - 40	04.845.0453.0	25	31 - 40	04.846.0453.0	25	31 - 40	04.848.0453.0	25
41 - 50	04.845.0553.0	25	41 - 50	04.846.0553.0	25	41 - 50	04.848.0553.0	25
51 - 60	04.845.0653.0	25	51 - 60	04.846.0653.0	25	51 - 60	04.848.0653.0	25
61 - 70	04.845.0753.0	25	61 - 70	04.846.0753.0	25	61 - 70	04.848.0753.0	25
71 - 80	04.845.0853.0	25	71 - 80	04.846.0853.0	25	71 - 80	04.848.0853.0	25
81 - 90	04.845.0953.0	25	81 - 90	04.846.0953.0	25	81 - 90	04.848.0953.0	25
91 - 100	04.845.1053.0	25	91 - 100	04.846.1053.0	25	91 - 100	04.848.1053.0	25
⊕ (10 x)	04.855.0053.0	25	⊕ (10 x)	04.856.0053.0	25	⊕ (10 x)	04.858.0053.0	25
± (10 x)	04.855.0153.0	25	± (10 x)	04.856.0153.0	25	± (10 x)	04.858.0153.0	25
+	04.855.0253.0	25	+	04.856.0253.0	25	+	04.858.0253.0	25
-	04.855.0353.0	25	-	04.856.0353.0	25	-	04.858.0353.0	25
L1 (10 x)	04.855.0453.0	25	L1 (10 x)	04.856.0453.0	25	L1 (10 x)	04.858.0453.0	25
L2 (10 x)	04.855.0553.0	25	L2 (10 x)	04.856.0553.0	25	L2 (10 x)	04.858.0553.0	25
L3 (10 x)	04.855.0653.0	25	L3 (10 x)	04.856.0653.0	25	L3 (10 x)	04.858.0653.0	25
PE (10 x)	04.855.0753.0	25	PE (10 x)	04.856.0753.0	25	PE (10 x)	04.858.0753.0	25
SL (10 x)	04.855.3153.0	25	SL (10 x)	04.856.3153.0	25	SL (10 x)	04.858.3153.0	25
N (10 x)	04.855.3253.0	25	N (10 x)	04.856.3253.0	25	N (10 x)	04.858.3253.0	25
F1 (10 x)	04.855.0953.0	25	F1 (10 x)	04.856.0953.0	25	F1 (10 x)	04.858.0953.0	25
F2 (10 x)	04.855.1053.0	25	F2 (10 x)	04.856.1053.0	25	F2 (10 x)	04.858.1053.0	25
L1, L2, L3, N, PE (2 x)	04.855.0853.0	25	L1, L2, L3, N, PE (2 x)	04.856.0853.0	25	L1, L2, L3, N, PE (2 x)	04.858.0853.0	25
with enlarged marking area			with enlarged marking area					
9705 AL/5/10	04.242.5153.0	25	9705 AL/6/10	04.242.6353.0	25			

*Custom marking upon request

Marking accessories for
DIN rail terminal blocks

seiros



10 mm²/10 mm width

16 mm²/12 mm width

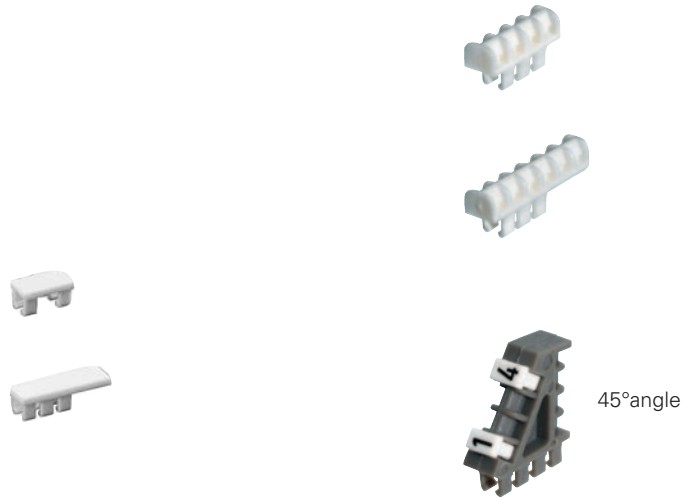
35 mm²/16 mm width

Type	Part No.	Std. Pack	Type	Part No.	Std. Pack	Type	Part No.	Std. Pack
marked for 5 blocks (every 2nd tag) *			marked for 5 blocks (every 2nd tag) *			marked for 5 blocks (every 2nd tag) *		
9705 A/5/10/5 B	04.842.5553.0	25	9705 A/6/10/5 B	04.842.6553.0	25	9705 A/8/10/5 B	04.842.8553.0	25

*Custom marking upon request

Marking accessories for DIN rail terminal blocks

selos



Assortment of marking strips for

5/6/8 mm widths

All block widths

Marking tag carrier

Type	Part No.	Std. Pack	Type	Part No.	Std. Pack	Type	Part No.	Std. Pack
For 5 mm spacing (Typ 9705 A/5/10 B)			Single marking tag, unmarked			For all blocks widths with 4/6 digits		
1-100	04.855.1153.0	1	9705 A	04.242.0850.0	500	4 digits		
101-200	04.855.1253.0	1	Single marking tag, marked			9705 A/4	04.242.0950.0	200
Assortment of S0 1/5			9705 AB*	04.842.0850.0	500	6 digits		
	04.900.2053.0	1				9705 A/6	04.242.1250.0	200
For 6 mm spacing (Typ 9705 A/6/10 B)								
1-100	04.856.1153.0	1	Single marking tag, unmarked with enlarged marking area			Marking tag carrier 45° angle		
101-200	04.856.1253.0	1	9705 AL	04.242.1553.0	500	9705 A/4 W	04.242.2853.0	200
Assortment of S0 1/6			Single marking tag, marked for enlarged marking area			2 x 4 digits, 45°, 5 mm wide		
	04.900.3053.0	1	9705 ALB*	04.842.1553.0	500	makes the marking legible in every block position		
For 8 mm spacing (Typ 9705 A/8/10 B)								
1-100	04.858.1153.0	1						
101-200	04.858.1253.0	1						
Assortment of S0 1/8								
	04.900.4053.0	1						
Assortment kit, empty, S01								
	04.900.0000.0	1						
Assortment of marking strips:								
1 standard pack includes								
10 x 25 strips each = 259 strips								
= 2500 single tags								
Assortment with 500 markingstrips with 50 pcs. each								
of 1-10, 11-20, ..., 91-100			*Custom marking upon request					

Marking accessories for DIN rail terminal blocks

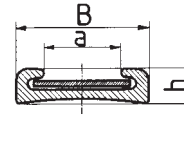
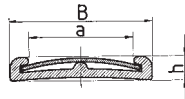
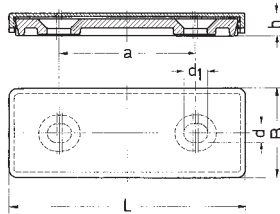


Tear-off marking strip with 10 marking tags

Marking Type	Part No.	Std. Pack	Marking Type	Part No.	Std. Pack	Marking Type	Part No.	Std. Pack
unmarked			marked with the same upper case letter			marked with the same upper case letter		
9704 A	04.241.1150.0	25	A 9704 A/AG B	04.841.2250.0	25	a 9704 A/AK B	04.841.4850.0	25
marked with the same number			B 9704 A/BG B	04.841.2350.0	25	b 9704 A/BK B	04.841.4950.0	25
1 9704 A/1 B	04.841.1150.0	25	C 9704 A/CG B	04.841.2450.0	25	c 9704 A/CK B	04.841.5050.0	25
2 9704 A/2 B	04.841.1250.0	25	D 9704 A/DG B	04.841.2550.0	25	d 9704 A/DK B	04.841.5150.0	25
3 9704 A/3 B	04.841.1350.0	25	E 9704 A/EG B	04.841.2650.0	25	e 9704 A/EK B	04.841.5250.0	25
4 9704 A/4 B	04.841.1450.0	25	F 9704 A/FG B	04.841.2750.0	25	f 9704 A/FK B	04.841.5350.0	25
5 9704 A/5 B	04.841.1550.0	25	G 9704 A/GG B	04.841.2850.0	25	g 9704 A/GK B	04.841.5450.0	25
6 9704 A/6 B	04.841.1650.0	25	H 9704 A/HG B	04.841.2950.0	25	h 9704 A/HK B	04.841.5550.0	25
7 9704 A/7 B	04.841.1750.0	25	I 9704 A/IG B	04.841.3050.0	25	i 9704 A/IK B	04.841.5650.0	25
8 9704 A/8 B	04.841.1850.0	25	J 9704 A/JG B	04.841.3150.0	25	j 9704 A/JK B	04.841.5750.0	25
9 9704 A/9 B	04.841.1950.0	25	K 9704 A/KG B	04.841.3250.0	25	k 9704 A/KK B	04.841.5850.0	25
0 9704 A/0 B	04.841.2050.0	25	L 9704 A/LG B	04.841.3350.0	25	l 9704 A/LK B	04.841.5950.0	25
marked with consecutive numbers			M 9704 A/MG B	04.841.3450.0	25	m 9704 A/MK B	04.841.6050.0	25
1-0 9704 A/1-0 B	04.841.2150.0	25	N 9704 A/NG B	04.841.3550.0	25	n 9704 A/NK B	04.841.6150.0	25
marked with the same symbols			O 9704 A/OG B	04.841.3650.0	25	o 9704 A/OK B	04.841.6250.0	25
+ 9704 A/+ B	04.841.7450.0	25	P 9704 A/PG B	04.841.3750.0	25	p 9704 A/PK B	04.841.6350.0	25
- 9704 A/- B	04.841.7550.0	25	Q 9704 A/QG B	04.841.3850.0	25	q 9704 A/QK B	04.841.6450.0	25
/ 9704 A// B	04.841.7650.0	25	R 9704 A/RG B	04.841.3950.0	25	r 9704 A/RK B	04.841.6550.0	25
. 9704 A/. B	04.841.7750.0	25	S 9704 A/SG B	04.841.4050.0	25	s 9704 A/SK B	04.841.6650.0	25
1 set of the same numbers			T 9704 A/TG B	04.841.4150.0	25	t 9704 A/TK B	04.841.6750.0	25
= 10 x 25 strips = 2500 numbers			U 9704 A/UG B	04.841.4250.0	25	u 9704 A/UK B	04.841.6850.0	25
111 to 000	04.841.9050.0	1	V 9704 A/VG B	04.841.4350.0	25	v 9704 A/VK B	04.841.6950.0	25
1 set of capital letters			W 9704 A/WG B	04.841.4450.0	25	w 9704 A/WK B	04.841.7050.0	25
= 26 x 25 strips = 6500 letters			X 9704 A/XG B	04.841.4550.0	25	x 9704 A/XK B	04.841.7150.0	25
A to Z GB	04.841.9150.0	1	Y 9704 A/YG B	04.841.4650.0	25	y 9704 A/YK B	04.841.7250.0	25
1 set of small letters			Z 9704 A/ZG B	04.841.4750.0	25	z 9704 A/ZK B	04.841.7350.0	25
= 26 x 25 strips = 6500 letters								
a to z KB	04.841.9250.0	1						
Assortment with 50 numbers each								
1-0	04.900.1053.0	1						
Material: Polyamide 66/6 white, marking in black		Marking per strip						

Marking Accessories for DIN rail terminal blocks

selos



Marking tags

The marking tags are delivered unassembled!

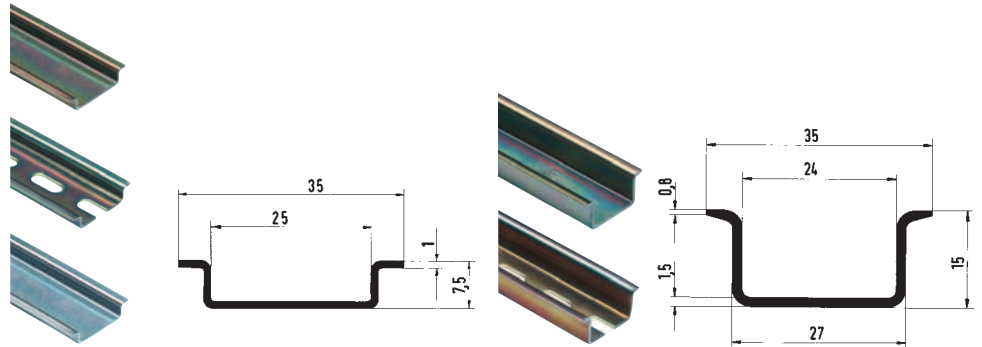
Marking strip

Marking strip

Type	Part No.	Std. Pack	Type	Part No.	Std. Pack	Type	Part No.	Std. Pack																			
Version N:			Available in Polyvinylchlorid (PVC) black and ivory,			Available in Polyvinylchloride,																					
Material:			1 m long			1 m long																					
special photostable plastic,			with marking card (white) and plastic foil cover			with marking card and plastic foil cover																					
transparent, marking card in white						315 GK	90.810.3055.0	10																			
300 B	90.100.1154.0	100	319/13,5 K elf.	90.800.1055.8	10	without card, with plastic insert in white opaque																					
300	90.100.0554.0	100	319/17,5 K elf.	90.800.2055.8	10	315 GC	90.811.3055.0	10																			
301	90.100.0754.0	100																									
303	90.100.0854.0	100	319/13,5 K schwarz	90.800.1055.1	10																						
305	90.100.1054.0	100	319/17,5 K schwarz	90.800.2055.1	10																						
						End piece																					
						315 E	05.590.0052.0	100																			
Version K:																											
Marking cards in perforated																											
sheets for marking with a																											
type writer																											
300 BK	90.100.1354.0	100																									
300 K	90.100.1254.0	100																									
301 K	90.100.1454.0	100																									
303 K	90.100.1554.0	100																									
305 K	90.100.1654.0	100																									
L	B	h	a	e	d	d ₁	l ₁	b	L	B	h	a	e	d	d ₁	l ₁	b	L	B	h	a	e	d	d ₁	l ₁	b	
30	17.5	4	11	3.6	4.6	27	14.5		1000	20	4	13.5						1000	16	4	9						
45	17.5	4	26	3.6	4.6	42	14.5		1000	24	4	17.5						1000	16	4	9						
60	30	7	36.5	3.6	4.6	54.5	24.5		1000	30.5	4	23.5															
90	40	8	55	3.6	4.6	84	34		1000	20	4	13.5															
140	55	8	100	3.6	4.6	134	49		1000	24	4	17.5															
									1000	30.5	4	23.5															

Accessories for DIN rail terminal blocks

selos

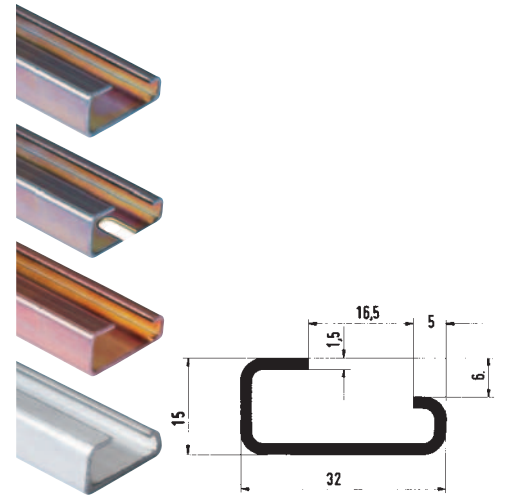
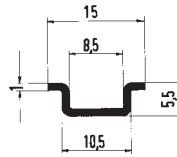
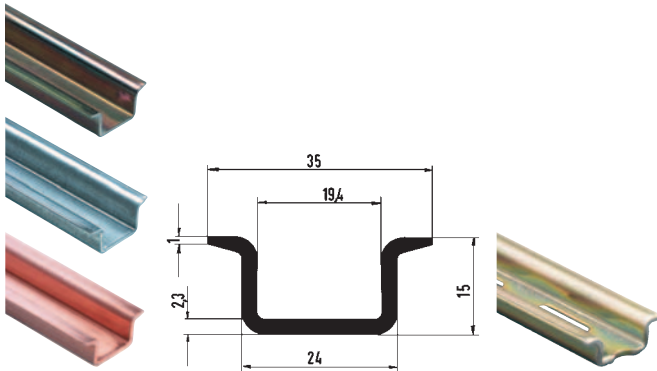


Mounting rail 35 x 7.5
according to DIN EN 60715

Mounting rail 35 x 15
according to DIN EN 60715

	Type	Part No.	Std. Pack	Type	Part No.	Std. Pack
Mounting rail						
1. Steel, galv. zinc-plated and dichromated, unslotted L = 2 m	35 x 27 x 7,5 EN 60715	98.300.0000.0	1	35 x 27 x 15 EN 60715	98.370.0000.0	1
Steel, galv. zinc-plated and dichromated, slotted L = 2 m	35 x 27 x 7,5 EN 60715 gelocht	98.300.1000.0	1	35 x 27 x 15 EN 60715	98.370.1000.0	1
2. Steel, unplated unslotted L = 2 m	35 x 27 x 7,5 EN 60715 blank	98.300.0010.0	1			
Steel, unplated slotted L = 2 m						
3. Steel, hot-galvanized unslotted L = 2 m						
Steel, hot-galvanized slotted L = 2 m						
4. E copper unslotted L = 2 m						
E copper slotted L = 2 m						
5. Steel,galv. zinc-plated + dichromated, slotted L = 1 m				35 x 27 x 15 EN 60715	98.375.1000.0	10
Steel,galv. zinc-plated + dichromated, slotted L = 2 m						
Aluminium unslotted L = 2 m						
V2A slotted L = 2 m				35 x 27 x 15 EN 60715	98.370.1001.0	1

Accessories for DIN rail terminal blocks



Mounting rail 35 x 15 according to DIN EN 60715

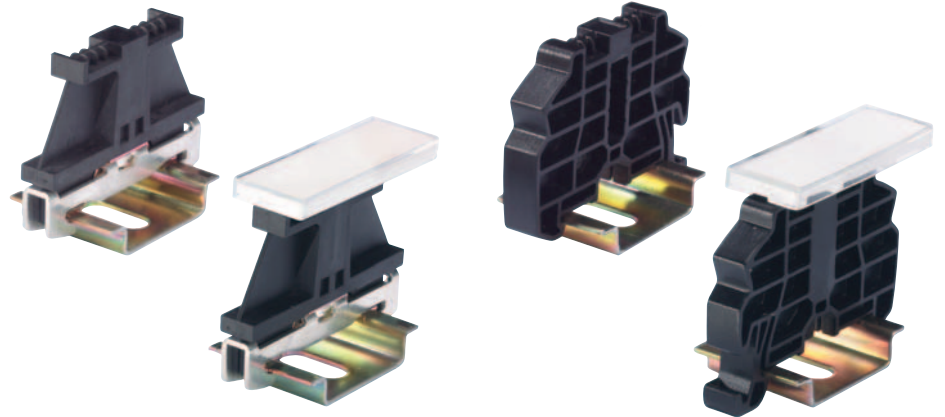
Type	Part No.	Std. Pack
35 x 27 x 15 EN 60715	98.360.0000.0	1
35 x 24 x 15 EN 60715 ZN	98.360.0004.0	1
35 x 24 x 15 EN 60715 CU	98.380.0000.0	10

Mounting rail 15 x 5.5 according to DIN EN 60715

Type	Part No.	Std. Pack
9021/15 x 5,5 EN 60715	98.090.0000.0	1
9021/15 x 5,5 EN 60715	98.090.0015.0	10

Mounting rail TS 32 according to DIN EN 60715

Type	Part No.	Std. Pack
9006 EN 60715 G-32	98.190.0000.0	1
9006 EN 60715 G-32	98.190.1000.0	1
9006 E-CU	98.220.0000.0	10
9006 AL	98.210.0000.0	1



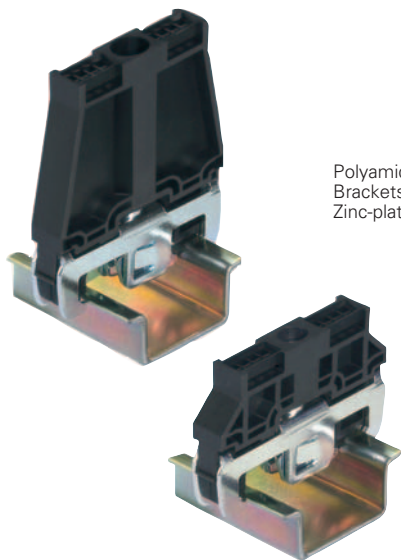
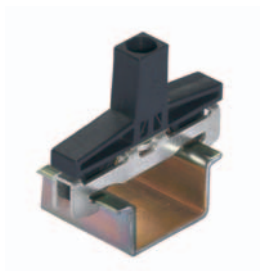
**End clamp for TS 35
screw mount**

**End clamp for TS 35
screwless mount**

End clamp	Type	Part No.	Std. Pack	Type	Part No.	Std. Pack
1. End clamp TS 35, with screw 8 mm wide	9708/2 S 35	Z5.522.8553.0	100			
2. End clamp TS 35, with screw with marking facilities for block assemblies 8/17.5 mm wide	9708/2 BS/35	69.920.0553.0	100			
3. End clamp for TS 35, screwless Marking tag for installation on WEF 1/35 8 mm wide				WEF 1/35	Z5.523.9353.0	100
				BS/R	Z4.243.8453.0	10
4. End clamp for TS 35, screwless with marking facilities for terminal block assemblies 8/17.5 mm wide				WEF 1 BS/35	69.920.1053.0	100
5. End clamp TS 35 7.5 mm wide						
6. End clamp with U-foot 10 mm wide						
End clamp with U-foot 10 mm wide						
End clamp with tag 10 mm wide						
End clamp with tag 10 mm wide						

Accessories for DIN rail terminal blocks

selos



Polyamide 66/6
Brackets
Zinc-plated steel



End clamp for TS 35















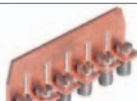




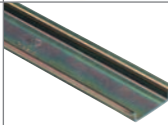
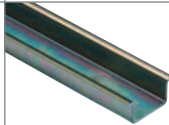
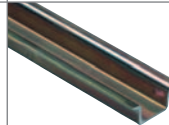
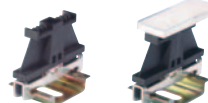
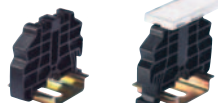


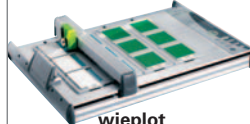






















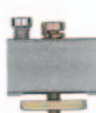




End clamp with U-foot

End clamp for TS 15

Type	Part No.	Std. Pack	Type	Part No.	Std. Pack	Type	Part No.	Std. Pack
9708/3 S 35	Z5.523.5153.0	100						
						9208/S15	Z5.522.7553.0	100
			WE 2/U	Z5.523.5653.0	100			
			WE 1/U	Z5.523.5753.0	100			
			300 WE2/U	69.920.0653.0	100			
			300 WE1/U	69.920.0753.0	100			

DIN rail terminal blocks with screw clamp technology, type 9700 A.. S35

selos CLASSIC LINE

Page 248/249	 9700 A/5 S35	 9700 A/6 S35	 9700 A/8 S35	 9700 A/10 S35	 9700 A/12 S35
Page 250/251	 9700 A/16 S35		 9700 A/6 ETK S35	 9700 A/8 ETK S35	 9700 A/10 ETK S35
Page 252/253	 9700 A/6 SL2 S35	 9700 A/8 SL2 S35	 9700 A/10 SL2 S35	 9700 A/16 SL2 S35	 9700 A/16 PEN 2 S35
Page 254/255	 Cross connector	 Cover with warning symbol	 Selectable connecting link	 Test plug	 Rapid mounting tool
Page 256/257	 TS 35x7,5	 TS 35x15	 TS 35x15	 End clamp for TS 35	 End clamp TS 35
Page 258/259	 wieplan	 wiemarc	 wieplot	 marcom	 marcom
Page 260/261	 2.5 mm²/5 mm spacing	 4 mm²/6 mm spacing	 6 mm²/8 mm spacing	 10 mm²/10 mm spacing	 16 mm²/12 mm spacing 35 mm²/16 mm spacing
Page 262/263	 Marking tags	 Marking tag carrier	 Tear-off marking strips with 10 marking tags		
Page 266/267	 WKB 2,5/U	 WKB 2,5/B/U	 ST 29/10 S		
Page 268/269	 RV2S/...	 RV2S/...L	 RV2S/...TP1		
Page 270/271	 RV2/A...	 RV2A/...L	 RV2A/...TP1		
Page 272/273	 SK...				
Page 274/275	 SKN...	 WE SH 1, WE SH 2	 WE SH 3, WE SH 4	 SKN SH/35, WAK 35/4	

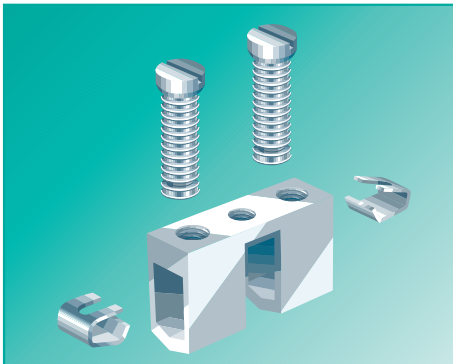
DIN rail terminal blocks with screw clamp technology, type 9700 A.. S35



<p>Page 276/277</p>	 <p>KL28/6DSPA</p>				
<p>Page 278/279</p>	 <p>WAK4/1</p>	 <p>WAK4/3</p>	 <p>FFK18/2Z</p>	 <p>KSO11/12KR</p>	
<p>Page 280/281</p>	 <p>ST 25/5...</p>		 <p>ST 28/10 B, ..S, ..BS</p>	 <p>TS M 4/M 6-32</p>	 <p>TS M ... S 35</p>
<p>Page 282/283</p>	 <p>9290 S</p>	 <p>9290 L</p>			
<p>Page 284/285</p>	 <p>wieplan</p>	 <p>wiemarc</p>	 <p>wieplot</p>		 <p>marcom</p>
<p>Page 286/287</p>	 <p>2.5 mm²/5 mm spacing</p>	 <p>4 mm²/6 mm spacing</p>	 <p>6 mm²/8 mm spacing</p>	 <p>10 mm²/10 mm spacing</p>	 <p>16 mm²/12 mm spacing 35 mm²/16 mm spacing</p>
<p>Page 288/289</p>	<p>Assortment of marking strips</p>	 <p>Marking tag carrier</p>	 <p>Tear-off marking strips with 10 marking tags</p>		

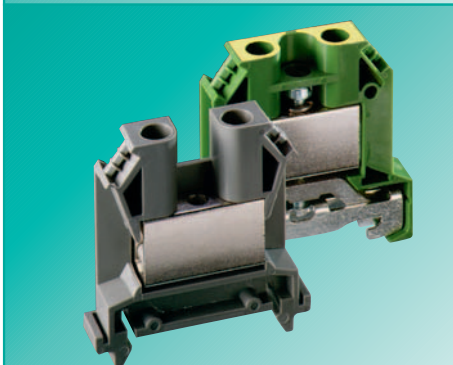
DIN rail terminal blocks with screw clamp technology, type 9700 A.. S35

selos CLASSIC LINE

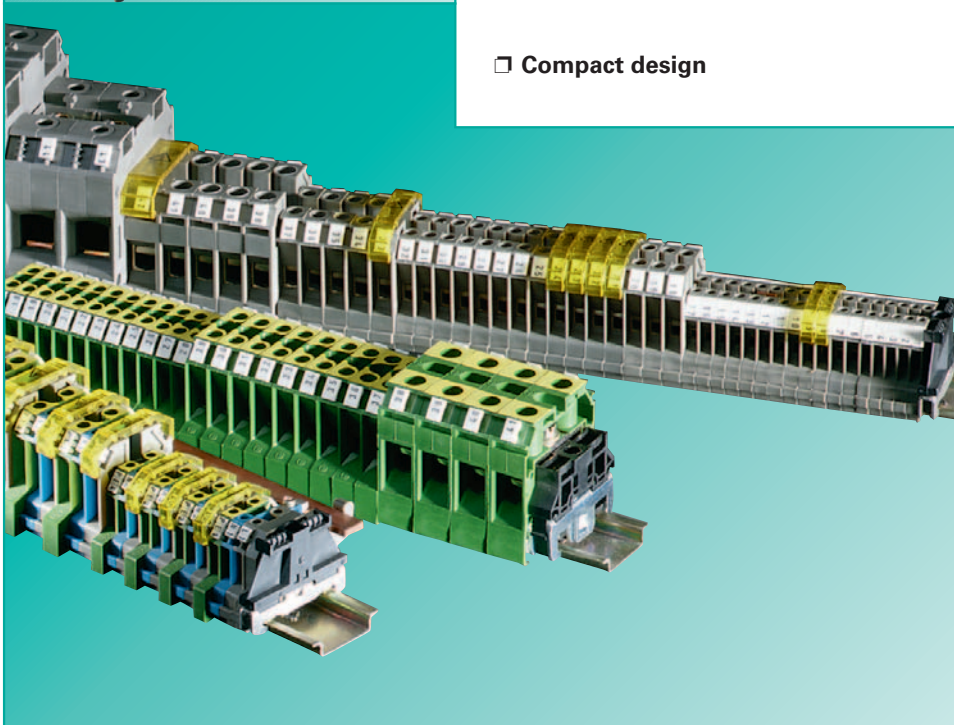


9700 A S35 offers...

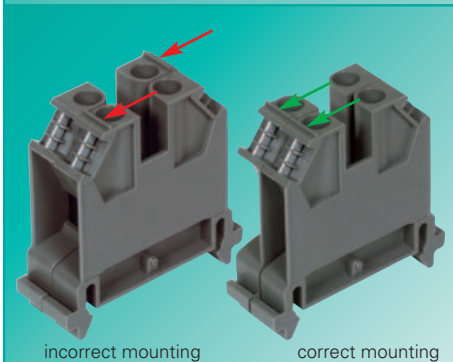
- ☐ **Screw clamp technology**
made from nickel-plated copper alloy



- ☐ **Connection range**
12-2 AWG



- ☐ **Compact design**



incorrect mounting

correct mounting

- ☐ **Function and installation safety**

Application advantages

- Low contact resistance
 - Clamping body has similar physical and chemical characteristics as the conductor
 - One piece clamping body/current bar
- **Connection of Aluminum Conductors**
 - Clamping body is able to penetrate aluminium oxide
- **Steel free Clamping Body**
 - High corrosion resistance

- **Connection range: 0.5 – 50 mm²**
Solid, fine-stranded and stranded wires can be connected to the terminal blocks of **selos** CLASSIC LINE **without ferrules**, as all block sizes have wire protection.

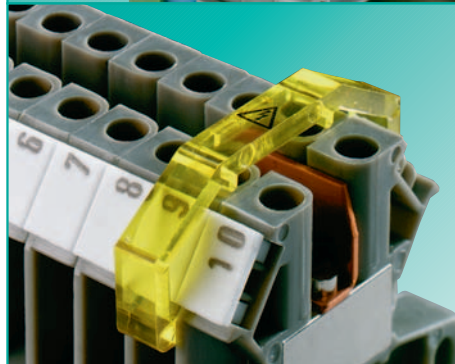
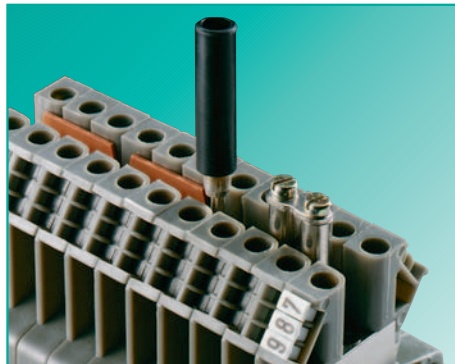
- **Save space on the rail**
 - **selos** Classic Line offers higher density due to the wire size and terminal block pitch.

Connection range	Pitch
12 AWG	5 mm
10 AWG	6 mm
8 AWG	8 mm
6 AWG	10 mm
4 AWG	12 mm
2 AWG	16 mm

- **selos** CLASSIC LINE
 - Mounting on TS 35 DIN Rail (DIN 60 715)
 - Product range:
Feed-through terminals
Ground terminals
Neutral Bus terminals
PEN terminals

- Incorrect mounting indicator on the top of terminal
 - terminals mounted incorrectly are easily identified and fixed.

DIN rail terminal blocks with screw clamp technology, type 9700 A.. S35



Test plugs and shorting plugs

- Test sockets which accept the test plugs and the shorting plugs are installed in the threaded slot on the current carrying bar.
- Modular test plugs are available to create test plug modules larger than two poles.

Selectable connecting links (SCL)

- For easy commoning and disconnecting two terminals

Jumper bar

- Allow easy commoning of potential
- Available in pre-cut 2-6 pole versions
- Available in cut to length version in 50, 70, or 90 pole versions depending on the terminal block
- End plates and partitions are required to maintain creepage distances.

Marking systems

- Single marking tags in 5, 6, or 8 mm pitch
- Marking strips (10 tags) to snap on 10 terminals at the same time
- Tear-off marking strips for marking up to 3 digits per terminal block
- Custom marking available upon request

Cover with warning symbol

- For terminals that remain live after the mains have been switched off (VDE 0113)
- Can be removed with a screwdriver

DQS certificates for all company divisions

- Quality standard as per DIN ISO 9001
- In Development, Production and Assembly
- Continued control of the quality standard by means of regular internal and external quality audits
- Compatible with certificates of other countries:
 - BSI Certificate, Great Britain
 - SQS Certificate, Switzerland
 - Aib-Vincotte Certificate, Belgium
 - ÖQS Certificate, Austria

Material

Metal components

Special alloys and surface treatments offer low contact resistance and a gas tight connection

Clamping body: nickel plated copper alloy
Screws: nickel plated copper alloy

Jumper bar: copper
Test socket: copper alloy, plated
SCL: copper alloy

Insulation housing

Polyamide has excellent electrical, chemical and mechanical characteristics

Insulating housing: Polyamide 66/6
Tracking current resistance: CTI 600
Flammability class: UL 94 V-2

(also see section **facts & DATA**)

You can use our **wieplan** software to configure your own terminal block assemblies (see page 36/37).

Note:

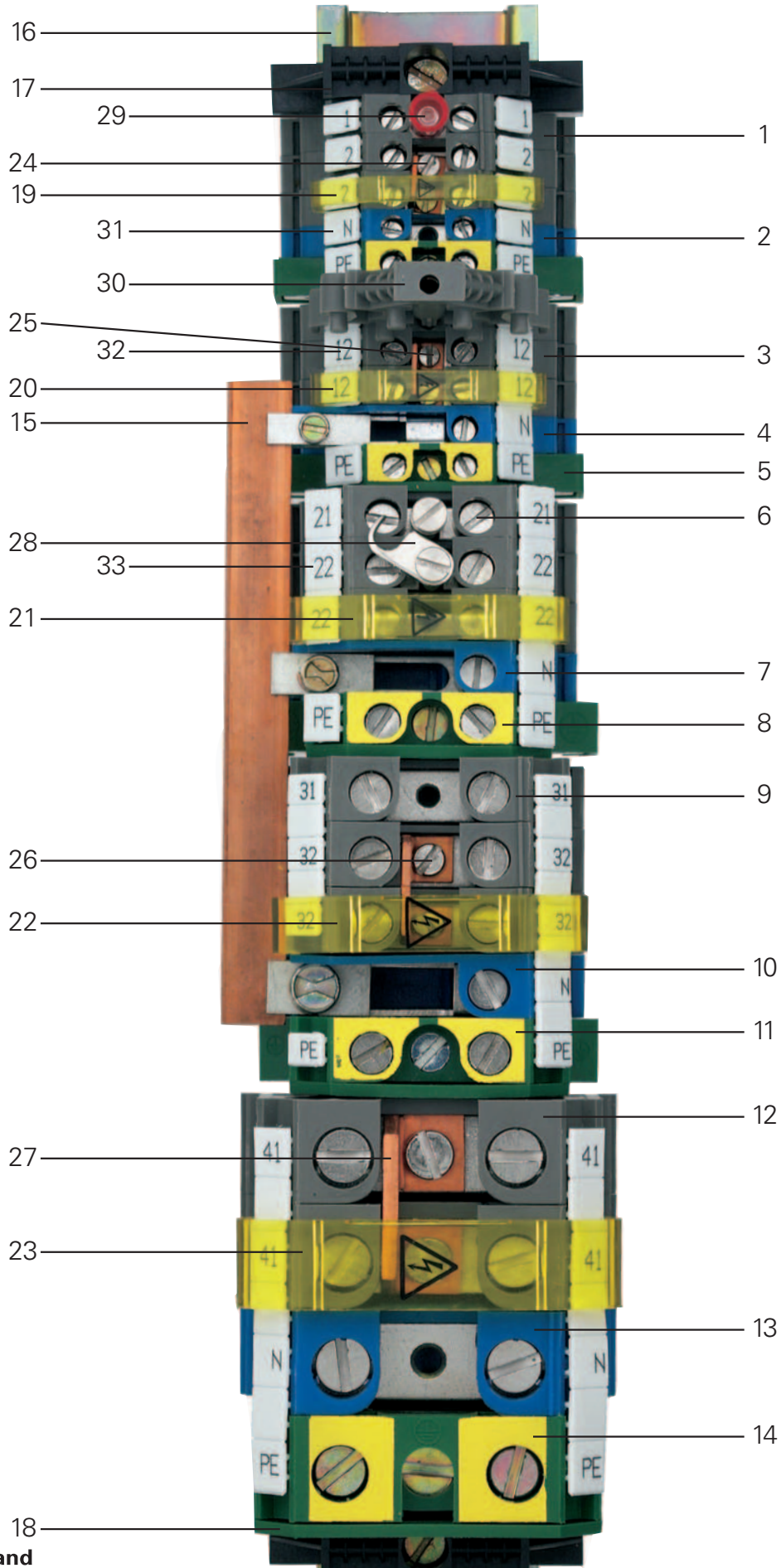
The information regarding cross sectional area and connection types pertains to unprepared wires without ferrules.

The voltage ratings apply to the terminals in their intended application. When different products are mounted adjacent to each other, the proper isolation distances must be adhered to. For this purpose, **Wieland** offers a large selection of appropriate accessories.

A detailed description of technical data, the standards' requirements, and the application conditions can be found in part **facts & DATA**.

DIN rail terminal blocks
with screw clamp technology, type 9700 A.. S35

selos CLASSIC LINE



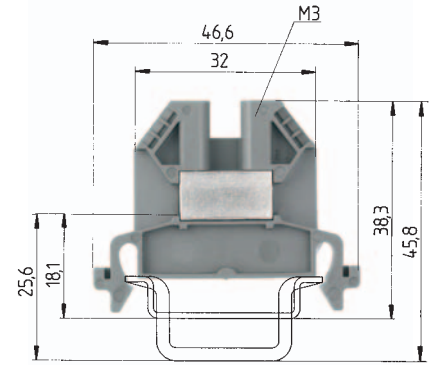
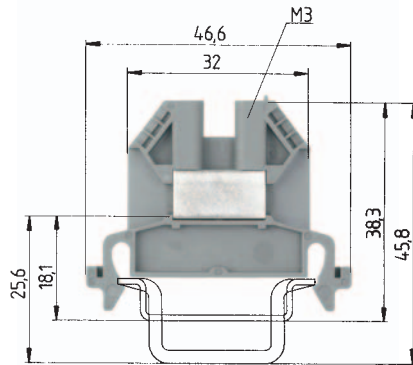
DIN rail terminal blocks with screw clamp technology, type 9700 A.. S35

Item	Description	Type	Part number
1	Feed through block	9700 A/5 S35	54.003.7553.0
2	Feed-through block, BLUE	9700 A/5 S35 BLAU	54.003.7553.6
3	Feed through block	9700 A/6 S35	54.004.7553.0
4	Neutral disconnect block	9700 A/6 ETK S35	54.004.7753.0
5	Ground block	9700 A/6 SL2 S35	56.004.9053.0
6	Feed through block	9700 A/8 S35	54.010.7553.0
7	Neutral disconnect block	9700 A/8 ETK S35	54.010.7753.0
8	Ground block	9700 A/8 SL2 S35	56.010.9053.0
9	Feed through block	9700 A/10 S35	54.016.7553.0
10	Neutral disconnect block	9700 A/10 ETK S35	54.016.7753.0
11	Ground block	9700 A/10 SL2 S35	56.016.9053.0
12	Feed through block	9700 A/16 S35	54.035.7553.0
13	Feed-through block, BLUE	9700 A/16 S35 BLAU	54.035.7553.6
14	Ground block	9700 A/16 SL2 S35	56.035.9053.0
15	Busbar 10x3	9813 M Sn	98.290.1000.0
16	Mounting rail	35 x 27 x 7.5	98.300.0000.0
17	End clamp for TS 35 with screw	9708/2 S35	Z5.522.8553.0
18	End plate, GREEN	9701/16 SL	07.312.0353.0
19	Warning cover	2.5 mm ²	04.325.1656.0
20	Warning cover	4 mm ²	04.325.1056.0
21	Warning cover	10 mm ²	04.325.1156.0
22	Warning cover	16 mm ²	04.325.1256.0
23	Warning cover	35 mm ²	04.325.1456.0
24	Cross connector with screws, uninsulated	9703/5-2	Z7.215.0227.0
25	Cross connector with screws, uninsulated	9703/6-2	Z7.211.0227.0
26	Cross connector with screws, uninsulated	9703/10-2	Z7.214.0227.0
27	Cross connector with screws, uninsulated	9703/16-2	Z7.216.0227.0
28	Selectable connecting link, complete	10 mm ²	Z7.269.3023.0
29	Test plug with insulated handle, Ø 2.3 mm	ST 2/2,3	Z5.553.2921.0
	Ring lug	2.5 mm ²	05.508.8921.0
30	Test plug with locking lever		Z1.299.7153.0
31	Marking tag	9705 A	04.842.0850.0
32	Marking strip	9705 A/6/10 B	04.842.6053.0
33	Marking strip	9705 A/8/10 B	04.842.8053.0



Feed-through blocks with screw connection, type 9700 A.. S35

selos CLASSIC LINE



9700 A/5 S35

fine-stranded solid V A
 0.5–2.5 mm² 0.5–4 mm² 800 V/8 kV/3 24
 No. 18-12 AWG 600 V 20/30
 No. 22-12 AWG 600 V 25
 5 mm 9 mm



9700 A/6 S35

fine-stranded solid V A
 0.5–4 mm² 0.5–6 mm² 800 V/8 kV/3 32
 No. 18-10 AWG 600 V 30/30
 No. 22-10 AWG 600 V 35
 6 mm 9 mm

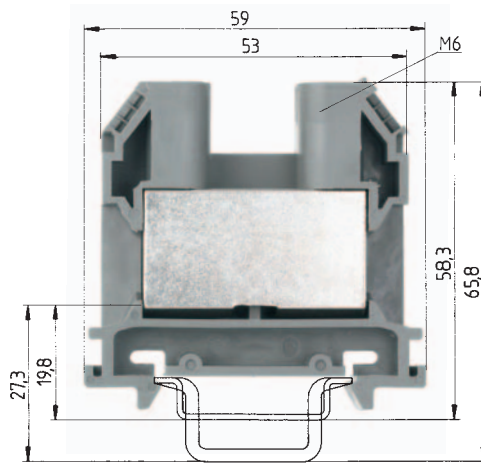


DIN VDE 0611 Teil 3/11.98
 UL ratings field/factory wiring
 CSA ratings
 Width Wire strip length
 Approvals

	Type	Part No.	Std. Pack	Type	Part No.	Std. Pack
Feed-through terminal gray	9700 A/5 S35	54.003.7553.0	100	9700 A/6 S35	54.004.7553.0	100
Feed-through terminal, (Ex)i blue	9700 A/5 S35 BLAU	54.003.7553.6	100	9700 A/6 S35 BLAU	54.004.7553.6	100
Neutral disconnect block blue						
Ground block green-yellow						
PEN terminal green/yellow - blue						
Accessories						
1. Mounting rail TS 35, DIN rail, 7.5 mm high L = 2 m	35 x 27 x 7,5 EN 60715	98.300.0000.0	1	35 x 27 x 7,5 EN 60715	98.300.0000.0	1
Mounting rail TS 35, DIN rail 15 mm high L = 2 m	35 x 27 x 15 EN 60715	98.360.0000.0	1	35 x 27 x 15 EN 60715	98.360.0000.0	1
2. End clamp TS 35, with screw 8 mm wide	9708/2 S35	Z5.522.8553.0	100	9708/2 S35	Z5.522.8553.0	100
3. End plate gray	9701/6	07.310.3153.0	10	9701/6	07.310.3153.0	10
blue	9701/6 BLAU	07.310.3153.6	10	9701/6 BLAU	07.310.3153.6	10
green						
4. Partition plate gray	9702/6	07.310.3453.0	10	9702/6	07.310.3453.0	10
blue	9702/6 BLAU	07.310.3453.6	10	9702/6 BLAU	07.310.3453.6	10
5. Jumper bar with screws, 2pole	9703/5-2	Z7.215.0227.0	50	9703/6-2	Z7.211.0227.0	50
E-Cu, uninsulated 3pole	9703/5-3	Z7.215.0327.0	50	9703/6-3	Z7.211.0327.0	50
4pole	9703/5-4	Z7.215.0427.0	50	9703/6-4	Z7.211.0427.0	50
5pole	9703/5-5	Z7.215.0527.0	50	9703/6-5	Z7.211.0527.0	50
6pole	9703/5-6	Z7.215.0627.0	50	9703/6-6	Z7.211.0627.0	50
Cut-to-order strip 0.6 m long	9703/5-M	Z7.215.0027.0	10	9703/6-M	Z7.211.0027.0	10
6. Selectable connecting link		Z7.269.3523.0	50		Z7.269.2923.0	50
7. Ring lug for test plug	9011 D	05.508.8921.0	10	9011 C	05.508.8821.0	10
8. Test plug	ST 2/2,3	Z5.553.2921.0	10	ST 2/2,3	Z5.553.2921.0	10
9. Cover with warn. symbol for 1 block yellow		04.325.1656.0	10		04.325.1056.0	10
10. Busbar						
E-Cu, 10 x 3 mm, tin-plated, I _N = 140 A L = 1 m						
E-Cu, 10 x 3 mm, unplated, I _N = 140 A L = 1 m						
11. Connector clamps for busbar						
25 mm ² 11.1 mm wide						
35 mm ² 14.3 mm wide						
12. Busbar support 6 mm wide						
13. Rapid mounting tool		05.593.5853.0	10		05.593.4153.0	1
For marking accessories see pages 258-263						

Feed-through blocks with screw connection, type 9700 A.. S35

selos CLASSIC LINE



9700 A/16 S35

DIN VDE 0611 Teil 3/11.98

UL ratings

CSA ratings

Width

Approvals

field/factory wiring

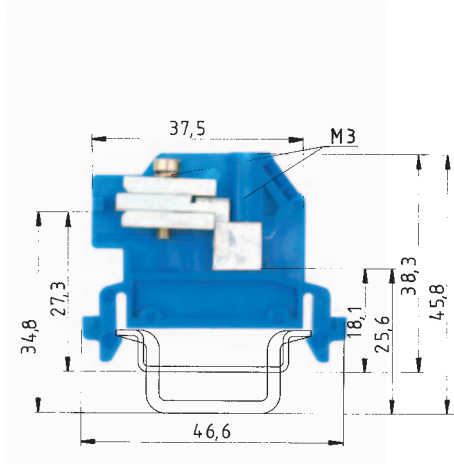
Wire strip length

fine-stranded	solid/stranded	V	A
2.5–35 mm ²	2.5–50 mm ²	800 V/8 kV/3	125
No. 6-2 AWG		600 V	115/130
No. 12-2 AWG		600 V	125
16 mm			20 mm



	Type	Part No.	Std. Pack
Feed-through block gray	9700 A/16 S 35	54.035.7553.0	50
Feed-through block, (Ex)i blue	9700 A/16 S 35 BLAU	54.035.7553.6	50
Neutral disconnect block blue			
Ground block green-yellow			
PEN terminal green/yellow - blue			
Accessories			
1. Mounting rail TS 35, DIN rail, 7.5 mm high L = 2 m	35 x 27 x 7,5 EN 60715	98.300.0000.0	1
Mounting rail TS 35, DIN rail 15 mm high L = 2 m	35 x 24 x 15 EN 60715	98.360.0000.0	1
2. End clamp for TS 35, with screw 8 mm wide	9708/2 S35	Z5.522.8553.0	100
3. End plate gray	9701/12	07.310.3353.0	10
blue	9701/12 BLAU	07.310.3353.6	10
green			
4. Partition plate gray	9702/12	07.310.3653.0	10
blue	9702/12 BLAU	07.310.3653.6	10
5. Jumper bar with screws, E-Cu, uninsulated 2pole	9703/16-2	Z7.216.0227.0	50
3pole	9703/16-3	Z7.216.0327.0	50
4pole	9703/16-4	Z7.216.0427.0	50
5pole	9703/16-5	Z7.216.0527.0	50
6pole	9703/16-6	Z7.216.0627.0	50
Cut-to-order strip 0.6 m long			
6. Selectable connecting link		Z7.269.3423.0	50
7. Ring lug for test plug		05.508.6521.0	10
8. Test plug	ST 2/4	Z5.553.3021.0	10
9. Cover with warn. symbol over 1 block yellow		04.325.1456.0	10
10. Busbar			
E-Cu, 10 x 3 mm, tin-plated, I _N = 140 A L = 1 m			
E-Cu, 10 x 3 mm, unplated, I _N = 140 A L = 1 m			
11. Connector clamps for busbar			
25 mm ² 11.1 mm wide			
35 mm ² 14.3 mm wide			
12. Busbar support 6 mm wide			
13. Rapid mounting tool			
For marking accessories see pages 258-263			

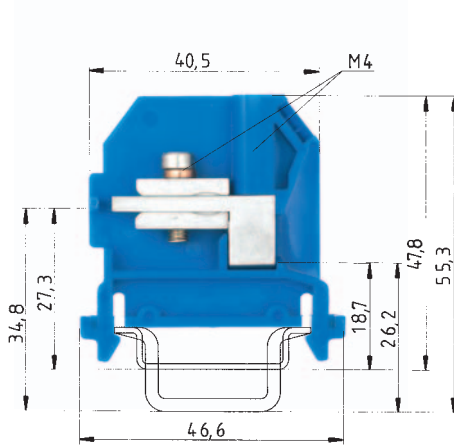
Neutral disconnect blocks with screw terminal, type 9700 A.. S35



*!Install in grounded systems 690/400 V

9700 A/6 ETK S35

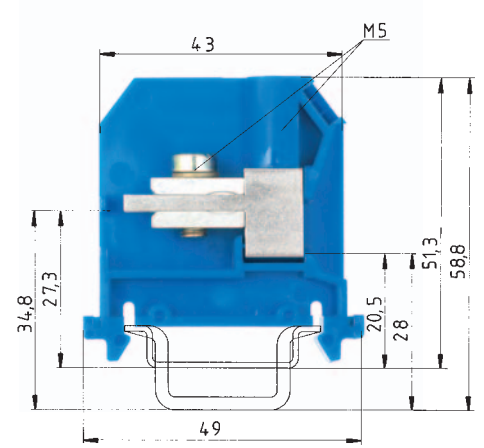
fine-stranded solid V A
0.5 – 4 mm² 0.5 – 6 mm² 400 V/6 kV/3*) 25



*!Install in grounded systems 690/400 V

9700 A/8 ETK S35

fine-stranded solid/stranded V A
1 – 10 mm² 1 – 10 mm² 400 V/6 kV/3*) 40



*!Install in grounded systems 690/400 V

9700 A/10 ETK S35

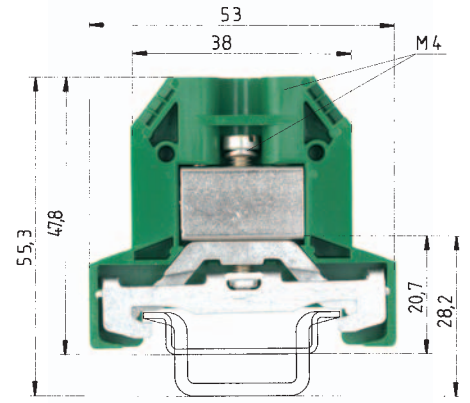
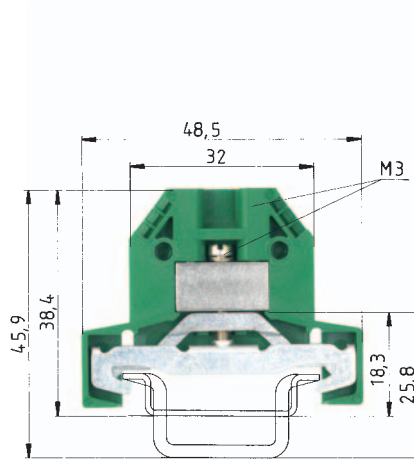
fine-stranded solid/stranded V A
1.5 – 16 mm² 1.5 – 16 mm² 400 V/6 kV/3*) 50

6 mm 9 mm 8 mm 12 mm 10 mm 15 mm

Type	Part No.	Std. Pack	Type	Part No.	Std. Pack	Type	Part No.	Std. Pack
9700 A/6 ETK S 35	54.004.7753.0	100	9700 A/8 ETK S 35	54.010.7753.0	100	9700 A/10 ETK S 35	54.016.7753.0	100
35 x 27 x 7,5 EN 60715	98.300.0000.0	1	35 x 27 x 7,5 EN 60715	98.300.0000.0	1	35 x 27 x 7,5 EN 60715	98.300.0000.0	1
35 x 24 x 15 EN 60715	98.370.0000.0	1	35 x 24 x 15 EN 60715	98.370.0000.0	1	35 x 24 x 15 EN 60715	98.370.0000.0	1
9708/2 S 35	Z5.522.8553.0	100	9708/2 S 35	Z5.522.8553.0	100	9708/2 S 35	Z5.522.8553.0	100
9701/6 ETKL	07.310.4553.0	10	9701 B/8 ETK	07.310.5253.0	50	9701 B/10 ETK	07.310.5353.0	50
9813 M	98.290.0000.0	1	9813 M	98.290.0000.0	1	9813 M	98.290.0000.0	1
9813 M SN	98.290.1000.0	1	9813 M SN	98.290.1000.0	1	9813 M SN	98.290.1000.0	1
	30.494.1110.6	100		30.494.1110.6	100		30.494.1110.6	100
	30.494.2510.6	100		30.494.2510.6	100		30.494.2510.6	100
9701 ASH S 35	01.112.1453.0	100	9701 ASH S 35	01.112.1453.0	100	9701 ASH S 35	01.112.1453.0	100

Ground blocks with screw technology, type 9700 A.. S35

selos CLASSIC LINE



DIN VDE 0611 Teil 3/11.98
UL ratings
CSA ratings
Width
Approvals

field/factory wiring
Wire strip length

9700 A/6 SL2 S35

fine-stranded solid V A
0.5–4 mm² 0.5–6 mm² 800 V/8 kV/3*) **)
No. 18-10 AWG 600 V*)
No. 22-10 AWG 600 V*)
6 mm 9 mm

UL CSA CE CB

9700 A/8 SL2 S35

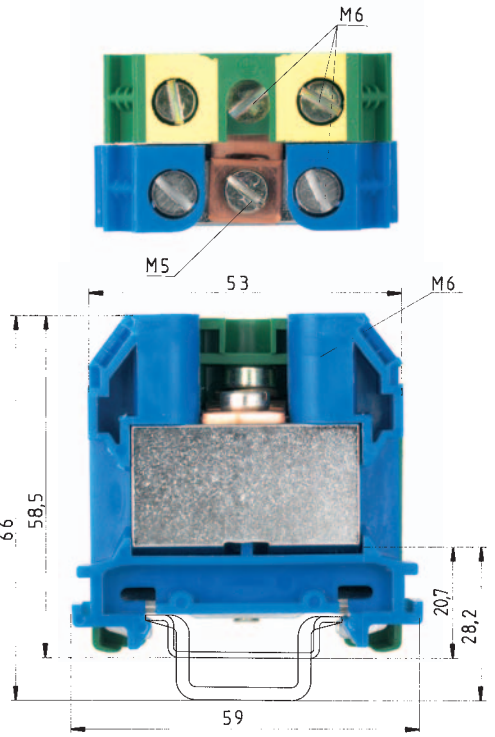
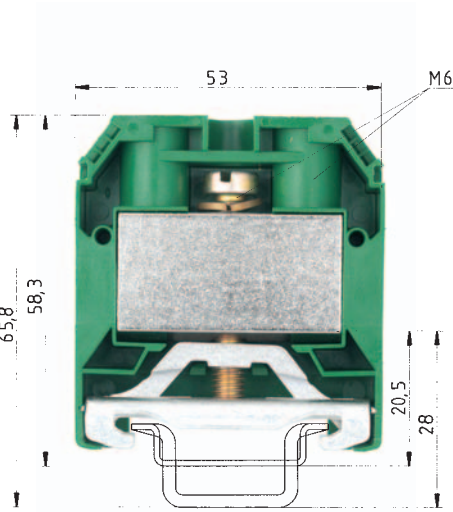
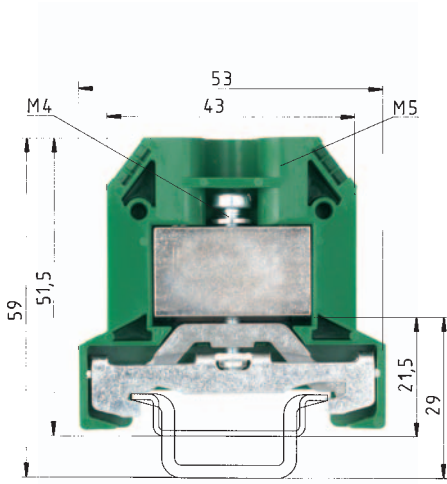
fine-stranded solid/stranded V A
0.5–10 mm² 0.5–10 mm² 800 V/8 kV/3*) **)
No. 18-8 AWG 600 V*)
No. 18-8 AWG 600 V*)
8 mm 11 mm

UL CSA CE CB

	Type	Part No.	Std. Pack	Type	Part No.	Std. Pack
Feed-through terminal	gray					
Feed-through block, (Ex)i	blue					
Neutral disconnect block	blue					
Ground block	green-yellow	9700 A/6 SL 2 S 35	56.004.9053.0 100	9700 A/8 SL 2 S 35	56.010.9053.0 100	
PEN terminal	green/yellow - blue					
Accessories						
1. Mounting rail TS 35, DIN rail, 7.5 mm high L = 2 m	35 x 27 x 7,5 EN 60715	98.300.0000.0	1	35 x 27 x 7,5 EN 60715	98.300.0000.0	1
Mounting rail TS 35, DIN rail 15 mm high L = 2 m	35 x 24 x 15 EN 60715	98.360.0000.0	1	35 x 24 x 15 EN 60715	98.360.0000.0	1
2. End clamp TS 35, with screw 8 mm wide	9708/2 S35	Z5.522.8553.0	100	9708/2 S 35	Z5.522.8553.0	100
3. End plate	gray					
	blue					
	green	9701/6 SL	07.312.0053.0 10	9701/8 SL	07.312.0153.0 10	
4. Partition plate	gray					
	blue					
5. Jumper bar with screws,	2pole					
E-Cu, uninsulated	3pole					
	4pole					
	5pole					
	6pole					
	Cut-to-order strip 0.6 m long					
6. Selectable connecting link						
7. Ring lug for test plug						
8. Test plug						
9. Cover with warn. symbol for 1 block	yellow					
10. Busbar						
	E-Cu, 10 x 3 mm, tin-plated, I _N = 140 A L = 1 m					
	E-Cu, 10 x 3 mm, unplated, I _N = 140 A L = 1 m					
11. Connector clamps for busbar						
	25 mm ² 11.1 mm wide					
	35 mm ² 14.3 mm wide					
12. Busbar support	6 mm wide					
13. Rapid mounting tool						
For marking accessories see pages 258-263						

Ground blocks with screw technology, type 9700 A.. S35

selos



**For the ratings to adjacent feed-through blocks of the same series and size

9700 A/10 SL2 S35

fine-stranded	solid/stranded	V	A
1.5–16 mm ²	1.5–16 mm ²	800 V/8 kV/3 ^{*)}	**)
No. 18-6 AWG			600 V ^{*)}
No. 16-6 AWG			600 V ^{*)}
10 mm			16 mm



9700 A/16 SL2 S35

fine-stranded	solid/stranded	V	A
2.5–35 mm ²	2.5–50 mm ²	800 V/8 kV/3 ^{*)}	**)
No. 12-2 AWG			600 V ^{*)}
No. 12-2 AWG			600 V ^{*)}
16 mm			18 mm



9700 A/16 PEN 2 S35

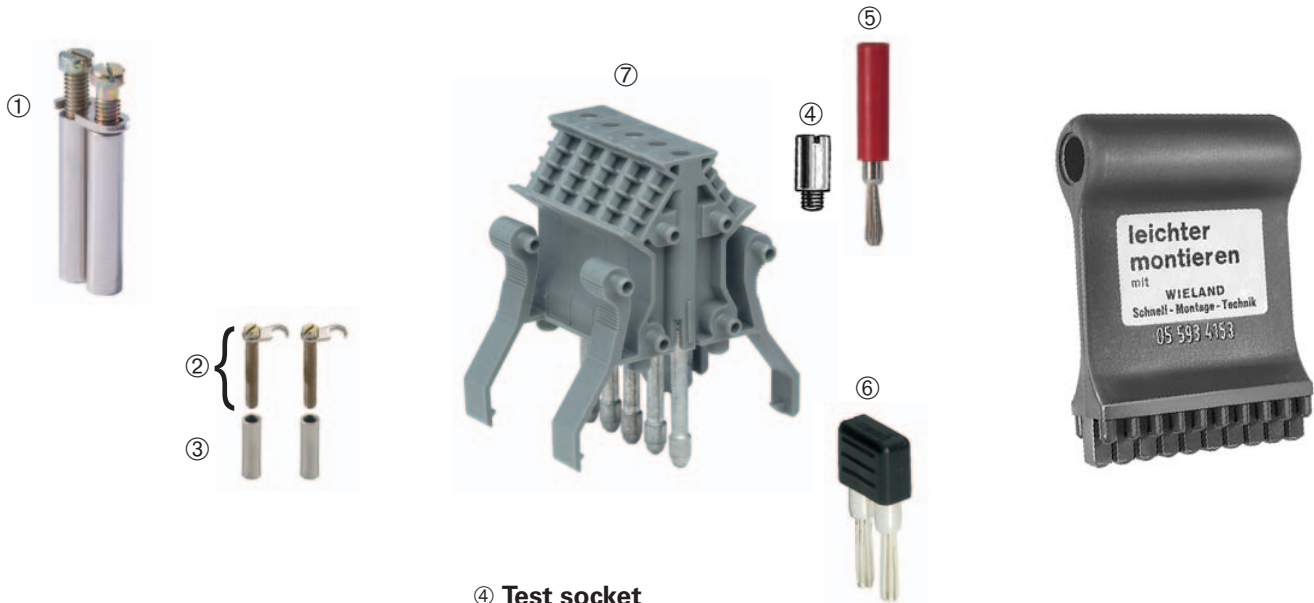
fine-stranded	solid/stranded	V	A
2.5–35 mm ²	2.5–50 mm ²	500 V/6 kV/3 ^{**)}	**)
			18 mm



Type	Part No.	Std. Pack	Type	Part No.	Std. Pack	Type	Part No.	Std. Pack
9700 A/10 SL 2 S 35	56.016.9053.0	50	9700 A/16 SL 2 S 35	56.035.9053.0	50	9700 A/16 PEN 2, S 35	56.035.9453.0	20
35 x 27 x 7,5 EN 60715	98.300.0000.0	1	35 x 27 x 7,5 EN 60715	98.300.0000.0	1	35 x 27 x 7,5 EN 60715	98.300.0000.0	1
35 x 24 x 15 EN 60715	98.360.0000.0	1	35 x 24 x 15 EN 60715	98.360.0000.0	1	35 x 24 x 15 EN 60715	98.370.0000.0	1
9708/2 S 35	Z5.522.8553.0	100	9708/2 S 35	Z5.522.8553.0	100	9708/2 S 35	Z5.522.8553.0	100
9701/10 SL	07.312.0253.0	10	9701/16 SL	07.312.0353.0	10	9701/12 BLAU	07.310.3353.6	10
						9702/12 BLAU	07.310.3653.6	10

Accessories for DIN rail mount terminal blocks with screw technology, type 9700 A.. S35

setos



- ① Selectable connecting link
- ② Screws with link
- ③ Screw spacer

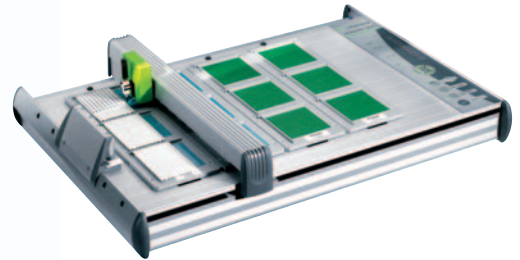
- ④ Test socket
- ⑤ Test plug with insulated handle
- ⑥ Shorting plug
- ⑦ Modular test plug

Rapid mounting tool

Type	Part No.	Std. Pack	Type	Part No.	Std. Pack	Type	Part No.	Std. Pack
for terminal block type 9700 A/.. S 35			for terminal block type 9700 A/.. S 35			for terminal block type 9700 A/.. S 35		
Selectable connecting link ①			Test socket ④			Rapid mounting tool		
2.5 mm ²	Z7.269.3523.0	50	2.5 mm ²	05.508.8921.0	10	2.5 mm ²	05.593.5853.0	10
4 mm ²	Z7.269.2923.0	50	4 mm ²	05.508.8821.0	10	4 mm ²	05.593.4153.0	1
10 mm ²	Z7.269.3023.0	50	10 mm ²	05.508.3221.0	10	10 mm ²	05.593.5953.0	10
16 mm ²	Z7.269.3123.0	50	16 mm ²	05.508.3121.0	10			
25 mm ²	Z7.269.3223.0	50	25 mm ²	05.508.6521.0	10			
35 mm ²	Z7.269.3423.0	50	35 mm ²	05.508.6521.0	10			
Selectable connecting link with screws ②			Test plug with insulated handle ⑤					
2.5 mm ²	Z7.269.2823.0	50	Ø 2.3 mm 2.5/4 mm ² red					
4 mm ²	Z7.269.0623.0	50	Ø 4 mm 10/16/25/35 mm ² black					
10 mm ²	Z7.269.0523.0	50	2.5 mm ²	Z5.553.2921.0	10			
16 mm ²	Z7.269.0723.0	50	4 mm ²	Z5.553.2921.0	10			
Threaded ring lug (screw spacer) ③			10 mm ²	Z5.553.3021.0	10			
2.5 mm ²	05.508.8621.0	50	16 mm ²	Z5.553.3021.0	10			
4 mm ²	05.508.8621.0	50	25 mm ²	Z5.553.3021.0	10			
10 mm ²	05.508.8721.0	50	35 mm ²	Z5.553.3021.0	10			
16 mm ²	05.508.9721.0	50	Shorting plug ⑥					
				Z5.553.9400.0	100			
			For all 6 mm wide control cabinet terminal blocks, to be used together with test socket (part no. 05.508.8821)					
			Modular test plug ⑦					
			Snap-on with locking lever for 9700 A 6/S 35					
				Z1.299.7153.0	10			
			Test plug					
			snap-on			Z1.299.8153.0	10	

Marking accessories for DIN rail terminal blocks

selos CLASSIC LINE



Software for DIN rail terminal blocks **wieplan**

Type	Part No.	Std. Pack
wieplan CD	95.502.1000.0	1
Description:		
wieplan is software for terminal strip configuration.		
The software provides the following modules:		
– Project management		
– Plausibility check		
– Selection of components		
– Selection of accessories		
– Output of drawings		
– Output of parts lists		
– Order output		
System requirements:		
Pentium 2 or compatible; min. 200 MHz; CD-ROM drive; 32 MByte RAM, VGA graphics adapter and monitor.		

wiemarc

Type	Part No.	Std. Pack
wiemarc CD	95.502.0501.0	1
Description		
wiemarc is a Windows® based plotter software (Windows 95/98/ME/NT/XP) that is able to drive the following plotter systems:		
– wieplot MUT (Mutoh system)		
– wieplot 500		
wiemarc makes preparing data for custom printing easier and faster than ever.		
Intuitive handling allows printing of marking tag cards in single, multiple and series marking jobs.		
Import of marking data from Excel files, text files and CAD/CAE programs is possible.		
wiemarc data file management is user-friendly as print data can be stored and found very easily in the file library.		
wiemarc knows several special characters for electrical marking.		
wiemarc is able to mark tags with upward or downward series, series steps can be chosen as well as leading or following characters. Multiple line printing is possible depending on tag size, number of digits and type size. Automatic adaptation of type size according to tag size and number of digits.		
Requirements:		
Pentium II PC or compatible, min. 200 MHz or higher, 64 MByte RAM, CD-ROM Drive, VGA Graphic Adaptor and Monitor		
wiemarc supports Windows 95®, Windows 98®, Windows 2000®, Windows NT®, Windows ME® and Windows XP® Professional.		

wieplot 500

Type	Part No.	Std. Pack
Description		
With wiemarc you can create custom marking data for standard Wieland marking tags on your PC. These can then be output to the wieplot 500 plotter system onto standard Wieland marking plates.		
Resolution:	0,01 mm	
Accuracy:	+/- 0.05 mm	
Power supply:	50/60 Hz, 100 – 240 V, Output voltage 24 V DC 1.4 A	
Power consumption:	approx. 0.3 A at 220 V	
Approvals:	UL1950 CSA 950 and VDE EN 60 950	
Radio interference suppression:	FCC class B FCC part 15 and VDE class B	
Dimensions:	660 mm x 440 mm x 125 mm	
Weight:	8 kg	
Interfaces:	USB level 1.1, parallel (Centronics)	
Plotter wieplot 500	95.502.0603.0	1
Complete package	95.502.0604.0	1
consisting of:		
– Plotter wieplot 500 (including data cable and manual)		
– Receptacle for WSB* (4 pcs.)		
– Accessories kit		
– Software wiemarc		
Receptacle for WSB*	95.502.0620.0	1
Receptacle for BZ/WKF 1,5	95.502.0627.0	1
BZ/WKF 1,5/10	95.502.0628.0	1
* WSB (=Wieland standard marking system)		

Marking accessories for DIN rail terminal blocks

selos CLASSIC LINE



2.5 mm²/5 mm width

4 mm²/6 mm width

6 mm²/8 mm width

Type	Part No.	Std. Pack	Type	Part No.	Std. Pack	Type	Part No.	Std. Pack
Marking strips, unmarked			Marking strips, unmarked			Marking strips, unmarked		
9705 A/5/10	04.242.5053.0	25	9705 A/6/10	04.242.6053.0	25	9705 A/8/10	04.242.8053.0	25
Marking strips, marked			Marking strips, marked			Marking strips, marked		
9705 A/5/9 B 1 - 9	04.842.4953.0	25	9705 A/6/9 B 1 - 9	04.842.5953.0	25	9705 A/8/9 B 1 - 9	04.842.7953.0	25
9705 A/5/10 B*	04.842.5053.0	25	9705 A/6/10 B*	04.842.6053.0	25	9705 A/8/10 B*	04.842.8053.0	25
9705 A/5/10 B 1 - 10	04.845.0153.0	25	9705 A/6/10 B 1 - 10	04.846.0153.0	25	9705 A/8/10 B 1 - 10	04.848.0153.0	25
11 - 20	04.845.0253.0	25	11 - 20	04.846.0253.0	25	11 - 20	04.848.0253.0	25
21 - 30	04.845.0353.0	25	21 - 30	04.846.0353.0	25	21 - 30	04.848.0353.0	25
31 - 40	04.845.0453.0	25	31 - 40	04.846.0453.0	25	31 - 40	04.848.0453.0	25
41 - 50	04.845.0553.0	25	41 - 50	04.846.0553.0	25	41 - 50	04.848.0553.0	25
51 - 60	04.845.0653.0	25	51 - 60	04.846.0653.0	25	51 - 60	04.848.0653.0	25
61 - 70	04.845.0753.0	25	61 - 70	04.846.0753.0	25	61 - 70	04.848.0753.0	25
71 - 80	04.845.0853.0	25	71 - 80	04.846.0853.0	25	71 - 80	04.848.0853.0	25
81 - 90	04.845.0953.0	25	81 - 90	04.846.0953.0	25	81 - 90	04.848.0953.0	25
91 - 100	04.845.1053.0	25	91 - 100	04.846.1053.0	25	91 - 100	04.848.1053.0	25
⊕ (10 x)	04.855.0053.0	25	⊕ (10 x)	04.856.0053.0	25	⊕ (10 x)	04.858.0053.0	25
⊖ (10 x)	04.855.0153.0	25	⊖ (10 x)	04.856.0153.0	25	⊖ (10 x)	04.858.0153.0	25
+ (10 x)	04.855.0253.0	25	+ (10 x)	04.856.0253.0	25	+ (10 x)	04.858.0253.0	25
- (10 x)	04.855.0353.0	25	- (10 x)	04.856.0353.0	25	- (10 x)	04.858.0353.0	25
L1 (10 x)	04.855.0453.0	25	L1 (10 x)	04.856.0453.0	25	L1 (10 x)	04.858.0453.0	25
L2 (10 x)	04.855.0553.0	25	L2 (10 x)	04.856.0553.0	25	L2 (10 x)	04.858.0553.0	25
L3 (10 x)	04.855.0653.0	25	L3 (10 x)	04.856.0653.0	25	L3 (10 x)	04.858.0653.0	25
PE (10 x)	04.855.0753.0	25	PE (10 x)	04.856.0753.0	25	PE (10 x)	04.858.0753.0	25
SL (10 x)	04.855.3153.0	25	SL (10 x)	04.856.3153.0	25	SL (10 x)	04.858.3153.0	25
N (10 x)	04.855.3253.0	25	N (10 x)	04.856.3253.0	25	N (10 x)	04.858.3253.0	25
F1 (10 x)	04.855.0953.0	25	F1 (10 x)	04.856.0953.0	25	F1 (10 x)	04.858.0953.0	25
F2 (10 x)	04.855.1053.0	25	F2 (10 x)	04.856.1053.0	25	F2 (10 x)	04.858.1053.0	25
L1, L2, L3, N, PE (2 x)	04.855.0853.0	25	L1, L2, L3, N, PE (2 x)	04.856.0853.0	25	L1, L2, L3, N, PE (2 x)	04.858.0853.0	25
with enlarged marking area			with enlarged marking area					
9705 AL/5/10	04.242.5153.0	25	9705 AL/6/10	04.242.6353.0	25			

*Custom marking upon request

Marking accessories for DIN rail terminal blocks

selos CLASSIC LINE



All terminal block widths

Marking tag carrier

Type	Part No.	Std. Pack	Type	Part No.	Std. Pack
Single marking tag, unmarked			for all block widths with 4/6 digits		
9705 A	04.242.0850.0	500	4 digits		
Single marking tag, marked			9705 A/4	04.242.0950.0	200
9705 AB*	04.842.0850.0	500	6 digits		
			9705 A/6	04.242.1250.0	200
Single marking tag, unmarked with enlarged marking area			Marking tag carrier 45° angle		
9705 AL	04.242.1553.0	500	9705 A/4 W	04.242.2853.0	200
Single marking tag, marked for enlarged marking area			2 x 4 digits, 45°, 5 mm wide		
9705 ALB*	04.842.1553.0	500	makes the marking legible in every block position		
*Custom marking upon request					

Marking accessories for DIN rail terminal blocks

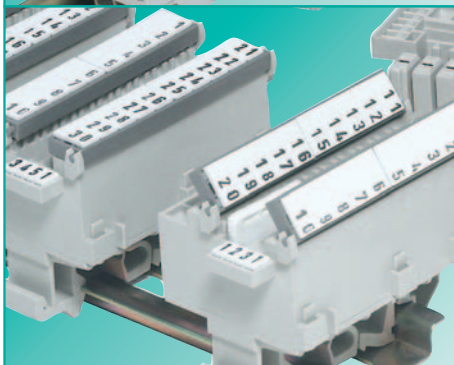
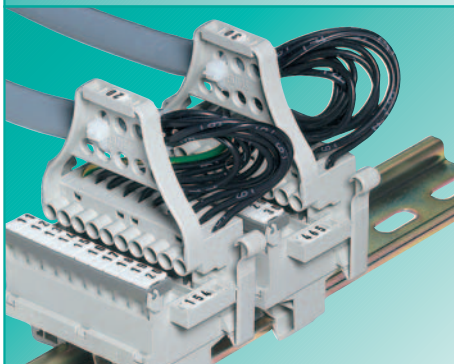
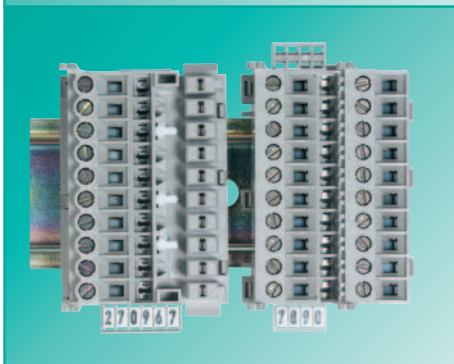


Tear-off marking strip with 10 marking tags

Marking Type	Part No.	Std. Pack	Marking Type	Part No.	Std. Pack	Marking Type	Part No.	Std. Pack
unmarked			marked with the same upper case letters			marked with the same lower case letters		
9704 A	04.241.1150.0	25	A 9704 A/AG B	04.841.2250.0	25	a 9704 A/AK B	04.841.4850.0	25
marked with the same number			B 9704 A/BG B	04.841.2350.0	25	b 9704 A/BK B	04.841.4950.0	25
1 9704 A/1 B	04.841.1150.0	25	C 9704 A/CG B	04.841.2450.0	25	c 9704 A/CK B	04.841.5050.0	25
2 9704 A/2 B	04.841.1250.0	25	D 9704 A/DG B	04.841.2550.0	25	d 9704 A/DK B	04.841.5150.0	25
3 9704 A/3 B	04.841.1350.0	25	E 9704 A/EG B	04.841.2650.0	25	e 9704 A/EK B	04.841.5250.0	25
4 9704 A/4 B	04.841.1450.0	25	F 9704 A/FG B	04.841.2750.0	25	f 9704 A/FK B	04.841.5350.0	25
5 9704 A/5 B	04.841.1550.0	25	G 9704 A/GG B	04.841.2850.0	25	g 9704 A/GK B	04.841.5450.0	25
6 9704 A/6 B	04.841.1650.0	25	H 9704 A/HG B	04.841.2950.0	25	h 9704 A/HK B	04.841.5550.0	25
7 9704 A/7 B	04.841.1750.0	25	I 9704 A/IG B	04.841.3050.0	25	i 9704 A/IK B	04.841.5650.0	25
8 9704 A/8 B	04.841.1850.0	25	J 9704 A/JG B	04.841.3150.0	25	j 9704 A/JK B	04.841.5750.0	25
9 9704 A/9 B	04.841.1950.0	25	K 9704 A/KG B	04.841.3250.0	25	k 9704 A/KK B	04.841.5850.0	25
0 9704 A/0 B	04.841.2050.0	25	L 9704 A/LG B	04.841.3350.0	25	l 9704 A/LK B	04.841.5950.0	25
marked with consecutive numbers			M 9704 A/MG B	04.841.3450.0	25	m 9704 A/MK B	04.841.6050.0	25
1-0 9704 A/1-0 B	04.841.2150.0	25	N 9704 A/NG B	04.841.3550.0	25	n 9704 A/NK B	04.841.6150.0	25
marked with the same symbols			O 9704 A/OG B	04.841.3650.0	25	o 9704 A/OK B	04.841.6250.0	25
+ 9704 A/+ B	04.841.7450.0	25	P 9704 A/PG B	04.841.3750.0	25	p 9704 A/PK B	04.841.6350.0	25
- 9704 A/- B	04.841.7550.0	25	Q 9704 A/QG B	04.841.3850.0	25	q 9704 A/QK B	04.841.6450.0	25
/ 9704 A// B	04.841.7650.0	25	R 9704 A/RG B	04.841.3950.0	25	r 9704 A/RK B	04.841.6550.0	25
. 9704 A/. B	04.841.7750.0	25	S 9704 A/SG B	04.841.4050.0	25	s 9704 A/SK B	04.841.6650.0	25
1 set of the same numbers			T 9704 A/TG B	04.841.4150.0	25	t 9704 A/TK B	04.841.6750.0	25
= 10 x 25 strips = 2500 numbers			U 9704 A/UG B	04.841.4250.0	25	u 9704 A/UK B	04.841.6850.0	25
111 to 000	04.841.9050.0	1	V 9704 A/VG B	04.841.4350.0	25	v 9704 A/VK B	04.841.6950.0	25
1 set of upper case letters			W 9704 A/WG B	04.841.4450.0	25	w 9704 A/WK B	04.841.7050.0	25
= 26 x 25 strips = 6500 letters			X 9704 A/XG B	04.841.4550.0	25	x 9704 A/XK B	04.841.7150.0	25
A to Z GB	04.841.9150.0	1	Y 9704 A/YG B	04.841.4650.0	25	y 9704 A/YK B	04.841.7250.0	25
1 set of lower case letters			Z 9704 A/ZG B	04.841.4750.0	25	z 9704 A/ZK B	04.841.7350.0	25
= 26 x 25 strips = 6500 letters								
a to z KB	04.841.9250.0	1						
Assortment with 50 numbers								
1-0	04.900.1053.0	1						
Material: Polyamide 66/6 white, marking in black								
Marking per strip								

selos selos

TOP system selos



The TOP system offers

- Terminal block module based on narrow pitch of 5 mm
- Top-System allows wire entry and screwdriver access in the same plane

Universal mounting foot for

- TS 35 mm DIN rail to EN 60715
- TS 32 mm DIN rail to EN 60715

Feed-through terminals located in the center

Materials:

Insulating housing: Polyamide 66/6
Clamping body / clamping screws: steel, zinc-plated and dichromated
Current Carrying Bar: Tin-plated copper alloy

TOP plug system

Accepts 10 pole pluggable connector

Coding capability: 28 coding configurations

Pluggable connector with locking levers

Strain relief

TOP system standard

10 pole feed through terminal block module

Orientation perpendicular to the mounting rail

Pitch/width is only 39 mm for 10 terminals

Screw technology

Marking tag system

- Snap in marking tag carrier
- Marking facility for module
- Marking system uses Wieland standard tags
- Module is molded with marking 1-10

Potential commoning

- Insulated pluggable jumper bars (2-10 pole)

Application advantages

- Save space in the panel – up to 40%
- Ease of inserting and terminating the conductor

- Easy mounting, secure attachment on all types of DIN rail

- Due to its excellent electrical, chemical and mechanical properties
- Low contact resistance
- Each terminal can be marked individually

Ease of use

Clean and neat wiring

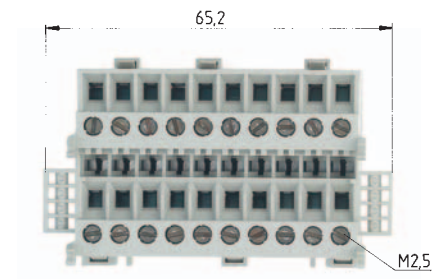
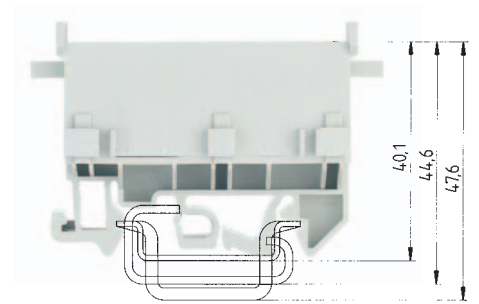
Pluggable connector cannot be mismatched
Pluggable connector provides a safe connection which locks in place

Strain relief with cable ties via holes on the marking plate

Ease of use

Clearly visible and orderly wiring

Secure connection



EN 60 947-7-1/DIN VDE 0611 T1
UL ratings
CSA ratings
Width
Approvals

Wire strip length

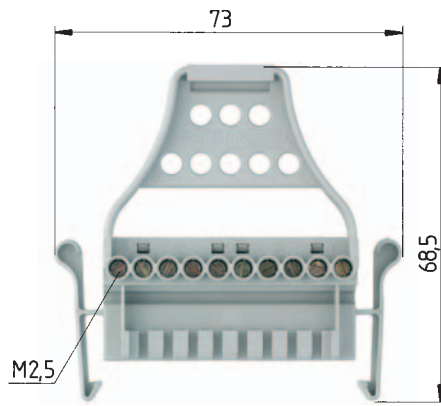
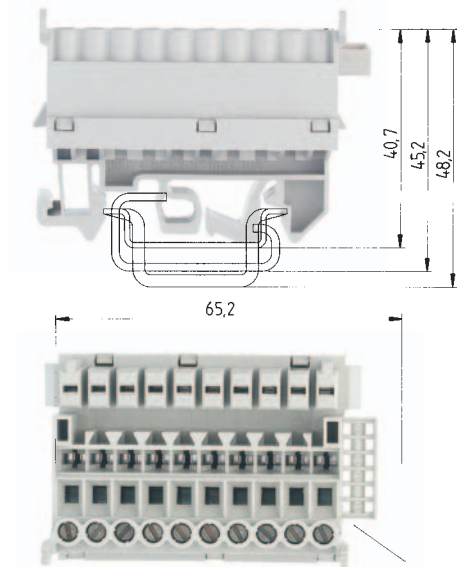
WKB 2,5/U

fine-stranded solid V A
0.5 - 2.5 mm² 0.5 - 4 mm² 400 V/6 kV/3 20
No. 22-12 AWG 300 V 10
No. max. 12 AWG 300 V 10
39 mm 10 mm



	Type	Part No.	Std. Pack
Terminal block assembly (screw)	WKB 2,5/U	57.603.0055.0	10
Terminal block assembly (screw/plug)			
TOP plug with coding and marking facilities			
Accessories			
1. Mounting rail TS 35, DIN rail, 7.5 mm high L = 2 m	35 x 27 x 7,5 EN 60715	98.300.0000.0	1
Mounting rail TS 35, DIN rail 1.5 mm high L = 2 m	35 x 24 x 15 EN 60715	98.360.0000.0	1
Mounting rail TS 32 G rail L = 2 m	9006 EN 60715 G-32	98.190.0000.0	1
2. End clamp with U-foot 10 mm wide	WE 1/U	Z5.523.5753.0	100
End clamp TS 35, with screw 8 mm wide	9708/2 S 35	Z5.522.8553.0	100
End clamp TS 32, with screw 7.5 mm wide	9708	Z5.522.7053.0	100
3. Push-in jumper bar			
E-Cu insulated 2 pole		Z7.258.0225.0	10
3 pole		Z7.258.0325.0	10
to 10 pole		Z7.258.1025.0	10
4. Mounting adapter for mounting right		05.523.1610.0	10
parallel to the rail left		05.523.1710.0	10
Coding pins, 10 each per strip			
Marking tag carrier, snap-on		04.242.3253.0	50
For marking systems see pages 284-289			
*) When two cross connectors are mounted adjacent to each other, the rated voltage is reduced to 250 V/4 kV/3			

TOP system selos



WKB 2,5/B/U

fine-stranded solid V A
 0.5 - 2.5 mm² 0.5 - 4 mm² 400 V/6 kV/3 10
 No. 22-12 AWG 300 V 5
 No. 22-12 AWG 300 V 5
 38 mm 10 mm



ST 29/10 S

fine-stranded solid V A
 0.5 - 2.5 mm² 0.5 - 4 mm² 400 V/6 kV/3 10
 No. 22-14 AWG 300 V 5
 No. 22-14 AWG 300 V 5
 6 mm



Type	Part No.	Std. Pack	Type	Part No.	Std. Pack
WKB 2,5/B/U	57.603.3555.0	10	ST 29/10 S	93.102.0055.0	50
35 x 27 x 7,5 EN 60715	98.300.0000.0	1			
35 x 24 x 15 EN 60715	98.360.0000.0	1			
9006 EN 60715 G-32	98.190.0000.0	1			
WE 1/U	Z5.523.5753.0	100			
9708/2 S 35	Z5.522.8553.0	100			
9708	Z5.522.7053.0	100			
	Z7.258.0225.0	10		Z7.258.0225.0	10
	Z7.258.0325.0	10		Z7.258.0325.0	10
	Z7.258.1025.0	10		Z7.258.1025.0	10
	05.599.8053.0	100		05.599.8053.0	100

Coding

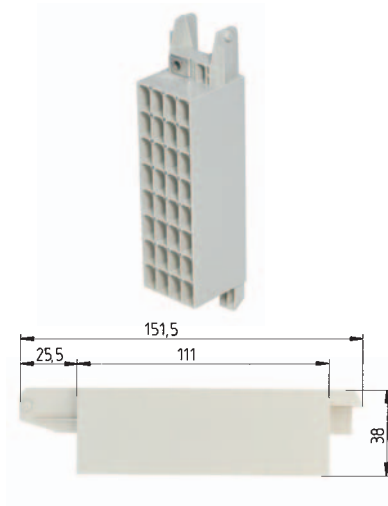
S	B	B	B	B	B	B	B	S	1st combination
S	B	B	B	B	B	S	B		2nd combination
S	B	B	B	B	S	B	B		3rd combination
S	B	B	B	S	B	B	B		4th combination
S	B	B	S	B	B	B	B		5th combination
S	B	S	B	B	B	B	B		6th combination
S	S	B	B	B	B	B	B		7th combination
B	S	B	B	B	B	B	S		8th combination
B	S	B	B	B	B	S	B		9th combination
B	S	B	B	B	S	B	B		10th combination
B	S	B	B	S	B	B	B		11th combination
B	S	B	S	B	B	B	B		12th combination
B	S	S	B	B	B	B	B		13th combination
B	B	S	B	B	B	B	S		14th combination
B	B	S	B	B	B	S	B		15th combination
B	B	S	B	B	S	B	B		16th combination
B	B	S	S	B	B	B	B		17th combination
B	B	S	S	B	B	B	B		18th combination
B	B	B	S	B	B	B	S		19th combination
B	B	B	S	B	B	S	B		20th combination

etc.

Distribution module, 32 pole Pluggable system with shield connection

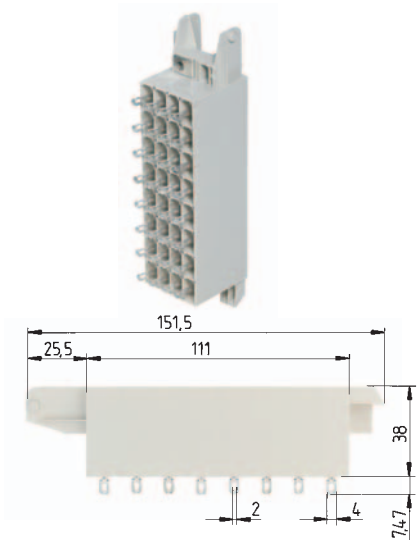
Material: Insulating part: Polyamide 66/6 gray, blue
 Tab connector: tin-plated copper alloy
 Spring contact: tin-plated bronze
 Tab connector: 2.8 x 0.8 mm

*) Push-on connector 6.3 mm 20 A
 Push-on connector 2.8 mm 10 A
 TERMI-POINT 10 A



RV2S/...

Front	Rear	V	A
3 x 2.8 x 0.8	3 x 2.8 x 0.8	400 V/6 kV/3	*)
2 x 2.8 x 0.8	2 x 2.8 x 0.8		



RV2S/...L

Front	Rear	V	A
3 x 2.8 x 0.8	1 solder connection	400 V/6 kV/3	*)
2 x 2.8 x 0.8	1 solder connection		

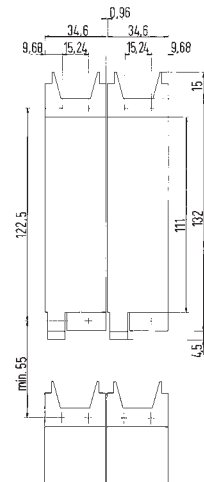
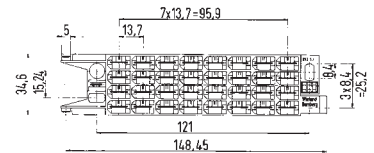
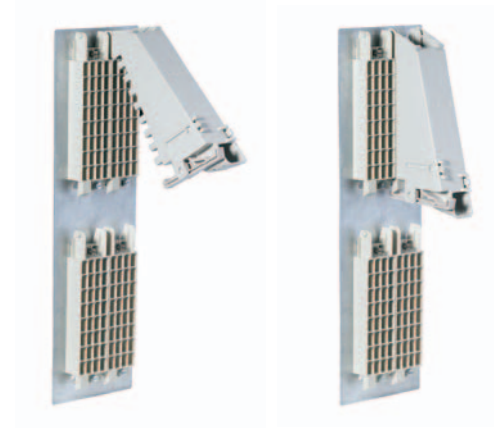
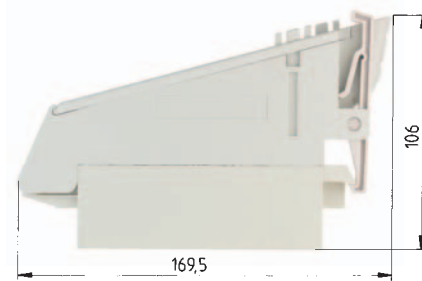
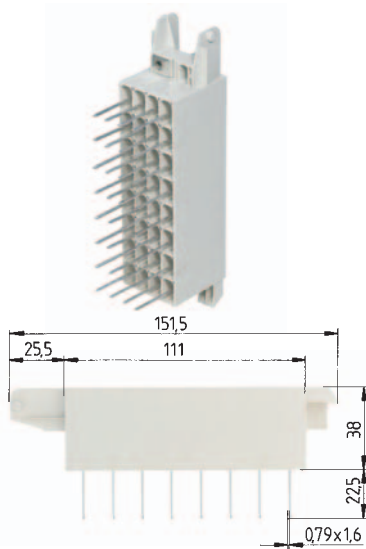
Voltage according to DIN VDE 0110

Distribution module gray (per pole)
 blue

	Type	Part No.	Std. Pack	Type	Part No.	Std. Pack
Distribution module pluggable system	gray	RV2S/6	26.500.2053.0 10	RV2S/3L	26.500.2153.0 10	
	blue	RV2S/4 blau	26.500.2353.0 10	RV2S/2L blau	26.500.2453.0 10	
Pluggable connector	gray					
	blue					
Accessories						
1. Spring contact for 0.5 - 1 mm ²						
Banded contacts						
Single contact						
4. Spring contact for 0.1 – 0.5 mm ²						
Banded contacts						
Single contact						
7. Crimp Tool						
8. Contact removal tool						
9. Replacement latch						
For marking systems see pages 284-289						

Distribution module, 32 pole Pluggable system with shield connection

setos



RV2S/...TP1

Front	Rear	V	A	V	A
		400 V/6 kV/3	*)	400 V/6 kV/3	*)
3 x 2.8 x 0.8	2 x 2.8 x 0.8				
	1 x Termi-Point				
2 x 2.8 x 0.8	1 x Termi-Point				

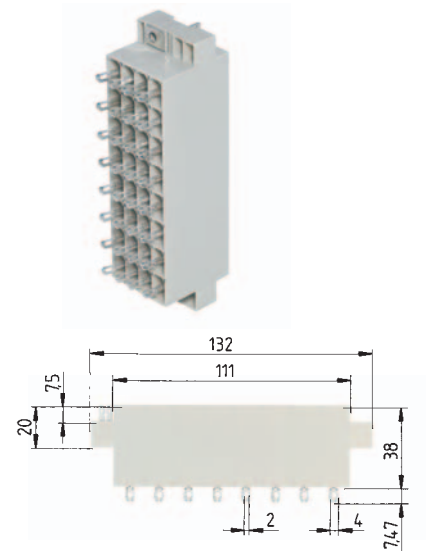
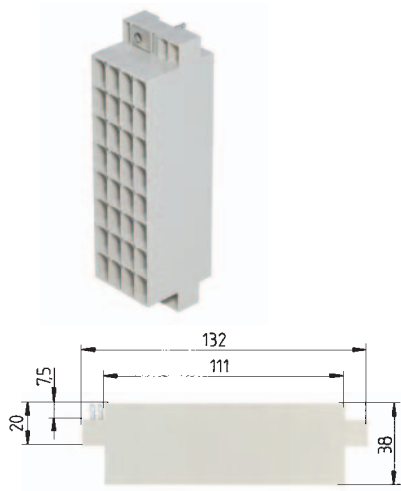
Type	Part No.	Std. Pack	Type	Part No.	Std. Pack
RV2S/3TP1	26.500.2253.0	10			
RV2S/2TP1blau	26.500.2553.0	10			
				93.004.0056.0	10
				93.004.0056.6	10
				02.124.4000.0	4000
				02.124.4029.0	4000
				02.124.4100.0	4000
				02.124.4129.0	4000
				95.101.0612.0	1
				05.502.0200.0	1
				05.502.0500.0	1

The narrow design of the terminal block is only 35 mm wide, with 32 connections in four rows and, means that you can increase the packing density when using push-on clamp type or solder connection methods. This system can be expanded using a 32 pole plug which enables simultaneous connection of 32 contacts.

Advantages:

- easy connection of all poles via a hinged lever on the group plug
- can be fixed securely by means of an easy-to-operate locking lever on the lower section
- cable strain relief
- a cover on the plug connector enables measurements to be taken when the group plug is connected
- leading ground contact which can be directly connected to the frame upon assembly
- marking facility - marker tag type 9705 AB and 9704 AB (see page 180)

Distribution Module 32 pole



Material: Insulating part: Polyamide 66/6
gray, blue
Tab connector: tin-plated brass
Tab connector: 2.8 x 0.8 mm

*) Push-on connector 6.3 mm 20 A
Push-on connector 2.8 mm 10 A
TERMI-POINT 10 A

RV2/A...

Front	Rear	V	A
3 x 2.8 x 0.8	3 x 2.8 x 0.8	400 V/6 kV/3	*)
2 x 2.8 x 0.8	2 x 2.8 x 0.8		

RV2A/...L

Front	Rear	V	A
3 x 2.8 x 0.8	1 solder connection	400 V/6 kV/3	*)
2 x 2.8 x 0.8	1 solder connection		

Voltage according to DIN VDE 0110

Stacking coordinate gray (per pole)
blue

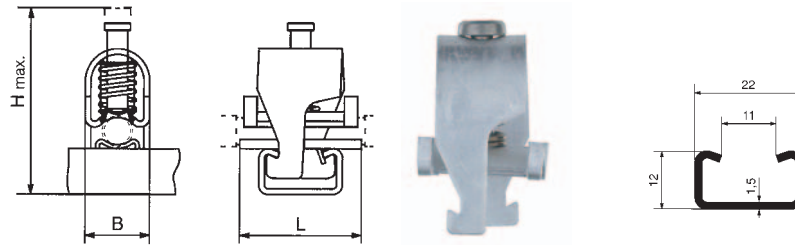
		Type	Part No.	Std. Pack	Type	Part No.	Std. Pack
Distribution module standard version	gray	RV2A/6	26.500.4053.0	10	RV2A/3L	26.500.4153.0	10
	blue	RV2A/4 blau	26.500.4353.0	10	RV2A/2L blau	26.500.4453.0	10
For marking systems see pages 284-289							

Shielded cable terminals, type SK



System advantages

- ☐ Easy and safe contact without damage to the braided shield
- ☐ Stainless steel pressure spring ensures excellent contact
- ☐ Corrosion resistant due to non-corrosive contact material
- ☐ spring terminal available in three different sizes (5 – 34 mm diameter)
- ☐ Potential commoning via the mounting rail
- ☐ Insulated mounting of the rail via the plastic (duroplast) mounting feet



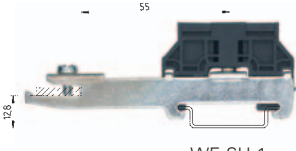
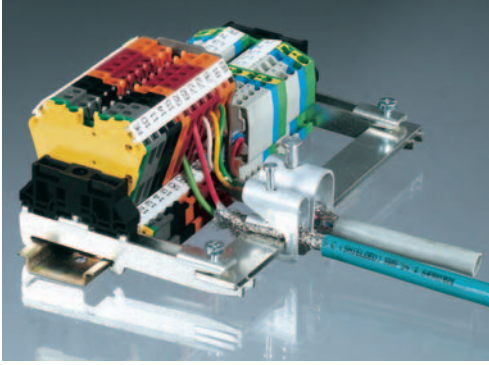
Material: non corrosive

SK...

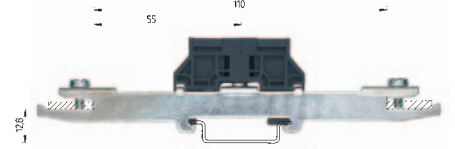
Type (shielded cable diameter)	Clamping	B	L	H _{max}
SK5-11	14-24 N	17 mm	32 mm	49 mm
SK9.5-13.5	20-35 N	22 mm	32 mm	54 mm
SK12.5-16.5	28-47 N	26 mm	32 mm	58.5 mm
SK15.5-20.5	70-95 N	32 mm	32 mm	66.5 mm
SK19-27	85-107 N	39 mm	32 mm	73 mm
SK26-34	105-130 N	48 mm	32 mm	84 mm

	Type	Part No.	Std. Pack	Type	Part No.	Std. Pack
Shielded cable terminals	SK 5-11	Z2.803.0228.0	10			
	SK 9.5-13,5	Z2.803.0328.0	10			
	SK 12.5-16,5	Z2.803.0428.0	10			
	SK 15.5-20,5	Z2.803.2228.0	10			
	SK 19-27	Z2.803.2328.0	10			
	SK 26-34	Z2.803.2428.0	10			
Accessories						
1. Mounting rail (galvanized steel)	L = 2 m				98.400.0000.0	1
2. Mounting feet	light gray					
3. Ground terminal						

Shielded cable terminals, type SKN

WE SH 1



WE SH 2

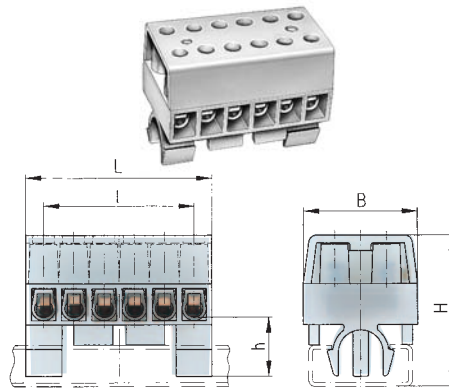
Material: nickel-plated brass

SKN...

Type (shielded cable diameter)	Clamping	B	L	H ₁
SKN1.5-6.5	8-13 N	10 mm	25 mm	33.5 mm
SKN5-11	22-31 N	17 mm	25 mm	41 mm
SKN10-17	32-58 N	23 mm	25 mm	57 mm
SKN16-24	37-53 N	30 mm	25 mm	71 mm

	Type	Part No.	Std. Pack	Type	Part No.	Std. Pack
Shielded cable terminals						
	SKN1,5-6,5	Z2.803.1328.0	10			
	SKN5-11	Z2.803.1428.0	10			
	SKN10-17	Z2.803.1528.0	10			
	SKN16-24	Z2.803.1628.0	10			
Accessories						
1. Busbar support (one-sided), tin-plated steel				WE SH 1/35	Z5.515.3310.0	20
Busbar support (two-sided), tin-plated steel				WE SH 2/35	Z5.515.3410.0	20
Busbar support, plastic	black					
2. Ground terminal, tin-plated steel	green-yellow					
3. Busbar, Cu tin-plated 18x3 mm	L = 1 m					

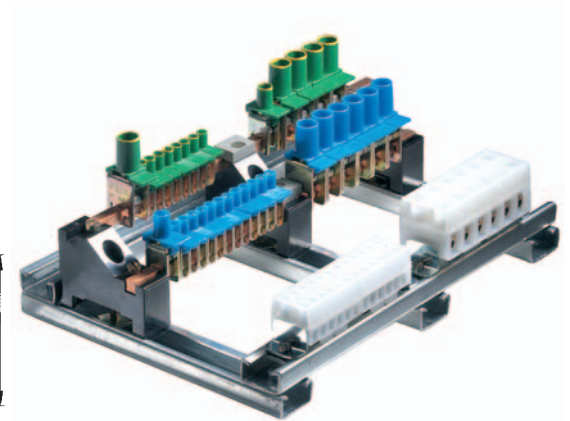
Insulating housing: Polyamide 66/6 - tracking resistant
 Clamping body: nickel-plated brass
 Wire protection: phosphor bronze
 Clamping screws: steel, zinc-plated and dichromated



	L	I	H	h	B
4 mm ²	35.9	5 x 5.8 = 29	29	14	20
10 mm ²	64.5	5 x 10.5 = 52.5	36	14	27.5

DIN VDE 0110

V
500 V/6 kV/3



Complete sheet-steel distribution systems in accordance with IEC 61 984 and VDE 0108 can be assembled using these components. The widths of the terminals are chosen so that it is easy to identify which terminal is allocated to each individual circuit and so that they match the spacing of the miniature circuit breakers.

The PE and N busbar (E-Cu 6 x 6 mm) are attached to the busbar mounting brackets. The bare supply and distribution board terminals are pushed onto 6 x 6 mm busbars.

The PE busbar is attached to the top connection of the bracket and N busbar to the bottom one. The insulated terminals for the phase connections are pushed onto the perforated rail from the top.

For identifying the individual poles of the insulated terminals, marker strips are available in rolls numbered in sequences from 1 to 99 for AC circuits and from 101 for DC circuits.

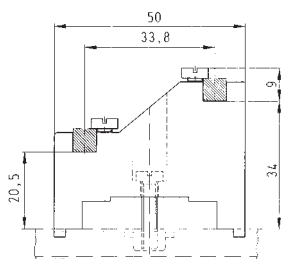
Approvals



	Type	Part No.	Std. Pack
Terminal block (up to 10 AWG)	KL28/6DSPA	33.011.0653.0	50
Terminal block (up to 4 AWG)	KL29/6DSPA	33.041.0653.0	20
Accessories for N and PE distribution terminals			
1. PE and N rail carrier with sliding nut			
2. Spacer for separating busbars			
3. Slotted mounting rail			
4. End clamp, 9 mm wide			
5. Sliding nut			
6. Jumper bar, insulated for KL28	2 pole	IVBIK4-2	Z7.255.0227.0 10
	3 pole	IVBIK4-3	Z7.255.0327.0 10
	to 6 pole	IVBIK4-6	Z7.255.0627.0 10
7. Marking strip rolls, 60 m each			
for KL 28 and terminal block 1-99 Distance between figures: 6 mm		04.007.1080.0	1
for KL 29 and terminal block 1-55 Distance between figures: 10.8 mm		04.007.3080.0	1

Busbar components

selos



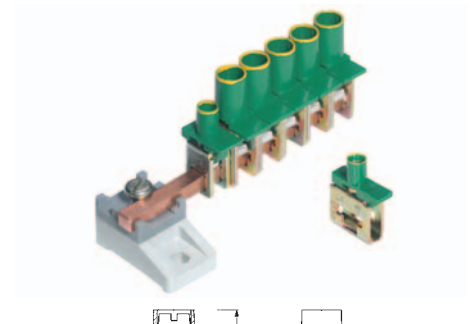
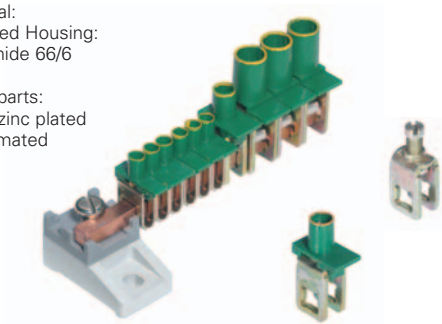
Type	Part No.	Std. Pack	Type	Part No.	Std. Pack	Type	Part No.	Std. Pack
	Z1.990.2030.0	50						
				05.592.1953.0	100			
	98.310.0000.0	10						
						2163	Z5.522.1923.0	100
	05.516.9510.0	100						

Modular N and PE distributor terminals

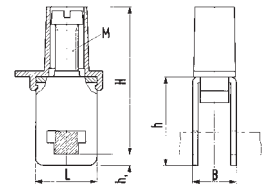
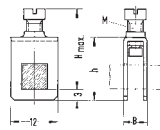
selos

Material:
Insulated Housing:
Polyamide 66/6

Metal parts:
Steel, zinc plated
dichromated



Bus bar distribution terminals with plastic cover, screw turret, screw break point, and marking ledge.



	H	h	M	B
4 mm ²	23.6	16	M3,5	6.0
16 mm ²	30.8	20.2	M5	9.5

	H	h	h ₁	L	M	B
4 mm ²	26	16	3	12	M3.5	6.0
16 mm ²	33.5	20.2	3	12	M5	10.7
25 mm ²	41.5	23.1	2.8	16	M6	11.5
35 mm ²	44	25.2	2.8	16	M6	14.3

EN 60998-2-1

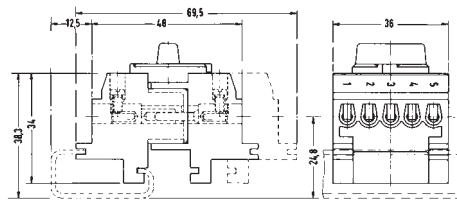
Approvals



	Type	Part No.	Std. Pack	Type	Part No.	Std. Pack
Distribution terminal 4 mm ²	WAK4/1	30.494.0010.0	250	WAK4/3	30.494.0110.0	250
Distribution N terminal 4 mm ² Cap: blue	WAK4/1 bl	30.494.0010.6	500	WAK4/3 bl	30.494.0110.6	500
Distribution PE terminal 4 mm ² Cap: green-yellow	WAK4/1 gr-gb	30.494.0010.7	500	WAK4/3 gr-gb	30.494.0110.7	500
Distribution terminal 16 mm ²	WAK16/1	30.494.1010.0	250			
Distribution N terminal 16 mm ² Cap: blue	WAK16/1 bl	30.494.1010.6	250			
Distribution PE terminal 16 mm ² Cap: green-yellow	WAK16/1 gr-gb	30.494.1010.7	250			
Distribution terminal 25 mm ²				WAK25/3	30.494.1110.0	100
Distribution N terminal 25 mm ² Cap: blue				WAK25/3 bl	30.494.1110.6	100
Distribution PE terminal 25 mm ² Cap: green-yellow				WAK25/3 gr-gb	30.494.1110.7	100
Distribution terminal 35 mm ²				WAK35/3	30.494.2510.0	100
Distribution N terminal 35 mm ² Cap: blue				WAK35/3 bl	30.494.2510.6	100
Distribution PE terminal 35 mm ² Cap: green-yellow				WAK35/3 gr-gb	30.494.2510.7	100
Neutral conductor rail 15 x 3 mm I _N =140A L = 1 m with DIN 85 screws and lock washers						
without screws and washers						
Distributor with busbar 6 x 6 mm according to A802						
Accessories						
1. Rail carrier base	KS011/1ZKR	19.230.0040.0	65	KS011/1ZKR	19.230.0040.0	65
2. Busbar 6 x 6 mm E-Cu I _N =140A L = 2 m		98.320.0000.0	1		98.320.0000.0	1
3. Busbar 6 x 6 mm E-Cu I _N =140A L = 1 m		98.325.1000.0	1		98.325.1000.0	1
4. Busbar 10 x 3 mm E-Cu I _N =140A L = 1 m					98.290.0000.0	1
Marking stip rolls, 60 m each						
for KL 28 and terminal blocks 1-99 Distance between figures: 6 mm		04.007.1080.0	1		04.007.1080.0	1
for KL 29 and terminal blocks 1-55 Distance between figures: 10.8 mm		04.007.3080.0	1		04.007.3080.0	1

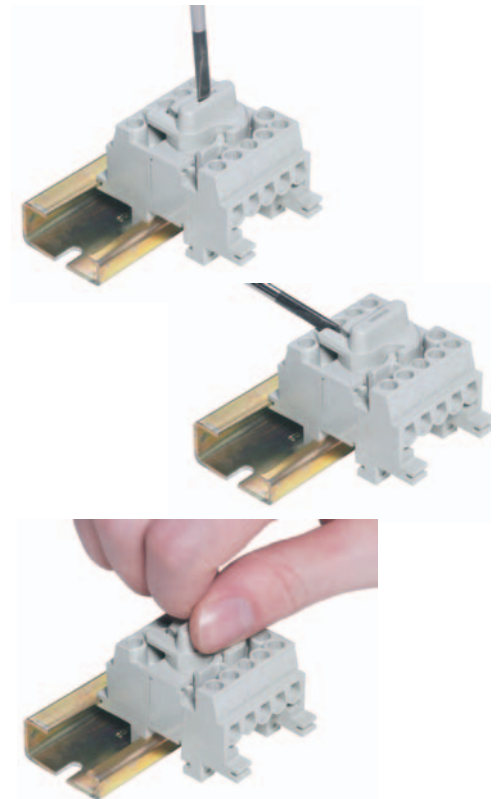
Pluggable rail mount terminal with screw technology

selos



ST 25/5...

fine-stranded solid		V	A
2.5 mm ²	2.5 mm ²	250 V/4 kV/3	16
No. 22-12 AWG		300 V	20
No. 22-14 AWG		300 V	16
	Wire strip length		5.5 mm



EN 60 998-2-1/VDE 0613 T2-1
UL ratings
CSA ratings

Wire strip length

Approvals

	Type	Part No.	Std. Pack
Pluggable connector	ST 25/5 B	93.031.2055.0	50
Rail mount socket			
Pluggable connector w/locking lever	ST 25/5 SV	93.032.2455.0	50
Pluggable connector without locking lever	ST 25/5 S	93.032.2055.0	50
Pluggable connector and rail mount socket			
Accessories			
1. Mounting rail TS 35, DIN rail 7.5 mm high L = 2 m	35 x 27 x 7,5 EN 60715	98.300.0000.0	1
Mounting rail TS 35, DIN rail 1.5 mm high L = 2 m	35 x 24 x 15 EN 60715	98.360.0000.0	1
Mounting rail TS 32 G rail L = 2 m	9006 EN 60715 G-32	98.190.0000.0	1
2. End clamp with U-foot 10 mm wide	WE 1/U	Z5.523.5753.0	100
End clamp TS 35, with screw 8 mm wide	9708/2 S 35	Z5.522.8553.0	100
End clamp TS 32, with screw 7.5 mm wide	9708	Z5.522.7053.0	100
3. Jumper comb for 5 poles (E-Cu)	VB 11/2	07.250.2527.0	50
Mounting bracket for C rail M4 and M6			
Mounting base for DIN rail M3 thread			
	M4 thread		
	M5 thread		
	M6 thread		
Tear-off coding pieces with 10 coding pieces each			
Marking peg (white Polyamide) unmarked	BZ 12	04.232.0051.0	5000
Marking peg (white Polyamide) marked	BZ 12 B	04.832.0051.0	5000

Material:

Insulating housing: fibreglass reinforced Polyamide – tracking resistant

Plug and socket contact: brass, surface treated

Clamping screws: steel, zinc-plated and dichromated

Locking device screws: thermoplastic

The terminal connections have a friction lock to prevent the screws from becoming loose as well as wire protection.

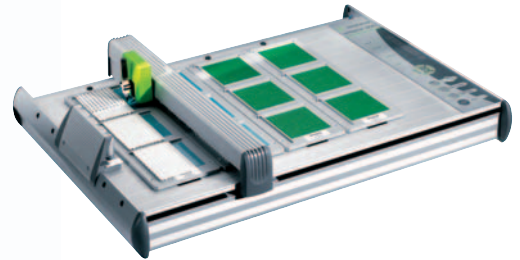
This pluggable connector is available with or without locking levers which operate automatically when connection is made. The connector can be separated either using a screwdriver held in a vertical or horizontal position or by hand.

When operating the connector, the interlocking device acts as a control curve, which separates the two halves of the connector. The individual parts of the connector are identified by embossed consecutive numbers (1 to 5). Each 5 pole block can be identified using a marking plug.

selos

Marking accessories for DIN rail terminal blocks with spring clamp connection

selos



Software for DIN rail terminal blocks **wieplan**

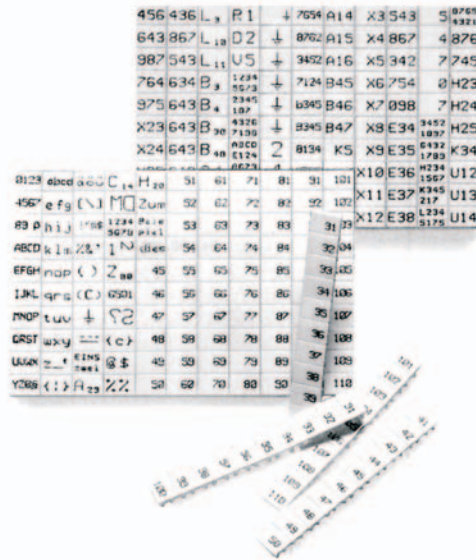
wiemarc

wieplot 500

Type	Part No.	Std. Pack	Type	Part No.	Std. Pack	Type	Part No.	Std. Pack
wieplan CD	95.502.1000.0	1	wiemarc CD	95.502.0501.0	1	Description		
Description: wieplan is software for terminal strip configuration.			Description wiiemarc is a Windows® based plotter software (Windows 95/98/ME/NT/XP) that is able to drive the following plotter systems:			With wiemarc you can create custom marking data for standard Wieland marking tags on your PC. These can then be output to the wieplot 500 plotter system onto standard Wieland marking plates.		
The software provides the following modules:			– wieplot MUT (Mutoh system)			Resolution: 0.01 mm		
– Project management			– wieplot 500			Accuracy: +/- 0.05 mm		
– Plausibility check			wiemarc makes preparing data for custom printing easier and faster than ever.			Power supply: 50/60 Hz, 100 – 240 V, Output voltage 24 V DC 1.4 A		
– Selection of components			Intuitive handling allows printing of marking tag cards in single, multiple and series marking jobs.			Power consumption: approx. 0.3 A at 220 V		
– Selection of accessories			Import of marking data from Excel files, text files and CAD/CAE programs is possible.			Approvals: UL1950 CSA 950 and VDE EN 60 950		
– Output of drawings			wiemarc data file management is user-friendly as print data can be stored and found very easily in the file library.			Radio interference suppression: FCC class B FCC part 15 and VDE class B		
– Output of parts lists			wiemarc knows several special characters for electrical marking.			Dimensions: 660 mm x 440 mm x 125 mm		
– Order output			wiemarc is able to mark tags with upward or downward series, series steps can be chosen as well as leading or following characters. Multiple line printing is possible depending on tag size, number of digits and type size.			Weight: 8 kg		
System requirements: Pentium 2 or compatible; min. 200 MHz; CD-ROM drive; 32 MByte RAM, VGA graphics adapter and monitor.			Automatic adaptation of type size according to tag size and number of digits.			Interfaces: USB level 1.1, parallel (Centronics)		
			Requirements: Pentium II PC or compatible, min. 200 MHz or higher, 64 MByte RAM, CD-ROM Drive, VGA Grafic Adaptor and Monitor			Plotter wieplot 500 95.502.0603.0 1		
			wiemarc supports Windows 95®, Windows 98®, Windows 2000®, Windows NT®, Windows ME® and Windows XP® Professional.			Complete package 95.502.0604.0 1		
						consisting of: – Plotter wieplot 500 (including data cable and manual) – Receptacle for WSB* (4 pcs.) – Accessories kit – Software wiemarc		
						Receptacle for WSB* 95.502.0620.0 1		
						Receptacle for BZ/WKF 1,5 95.502.0627.0 1		
						BZ/WKF 1,5/10 95.502.0628.0 1		
						* WSB (=Wieland standard marking system)		

Marking accessories for DIN rail terminal blocks with spring clamp connection

selos



Accessories

Type	Part No.	Type	Part No.	Std. Pack
Accessory kit consists of plotter pen 0.25 mm, Ink-cartridge, permanent plotter pen 0.3 mm and cleaning set.		Marker Cards:		
Accessory kit (pen basic equipment)	95.502.0610.0	110 tags per card, 5 x 8.3 mm		
		9075 A/5/10/11	Z4.242.5053.0	10
		60 tags per card, 5 x 14 mm		
		9075 AL/5/10/6	Z4.242.5153.0	10
Plotter pens for ROLAND and wieplot MUT systems:		110 tags per card, 6 x 8.3 mm		
Plotter pen 0.18 mm	95.502.0118.0	9075 A/6/10/11	Z4.242.6053.0	10
Plotter pen 0.25 mm	95.502.0125.0	60 tags per card, 6 x 14 mm		
Plotter pen 0.35 mm	95.502.0135.0	9075 AL/6/10/6	Z4.242.6353.0	10
Plotter pen 0.50 mm	95.502.0150.0	70 tags per card, 8 x 8.3 mm		
Plotter pen 0.70 mm	95.502.0170.0	9075 A/B/10/7	Z4.242.8053.0	10
Plotter pen 1.00 mm	95.502.0100.0	for block center marking		
Permanent Plotter pen		BZ/WKF 1,5	04.243.2053.0	100
0.30 mm black	95.502.0230.0	for outside marking		
0.70 mm black	95.502.0270.0	BZ/WKF 1,5/10	Z4.243.2053.0	10
Permanent Plotter pen set				
consisting of black, red, blue, green pen.				
set 0.30 mm	95.502.0234.0			
set 0.70 mm	95.502.0274.0			
Hand pens				
Hand pen 0.25 mm	95.502.0425.0			
Hand pen 0.35 mm	95.502.0435.0			
Hand pen 0.50 mm	95.502.0450.0			
Hand pen 0.70 mm	95.502.0470.0			
Ink cartridge P1.0 5 x 1 ml	95.502.0199.0			
Cleaning set	95.502.0198.0			
Pen cleaner	95.502.0197.0			
Dust protection hood	95.502.0612.0			
Service kit for pen station	95.502.0613.0			
Kit with sealing inserts				
wiemarc-receptacle for Wieland marking plates				
available on request for modifying plotter system of other suppliers in order to use them together with				
wiemarc				

	9075A/5/10/11	9075AL/5/10/6	9075A/6/10/11	9075AL/6/10/6	9075A/6/7/12/7	9075AL/6/7/12/7	9075A/8/10/7
fasis							
WKF 2.5 ...	X	X		X			
WKF 4 ...			X	X			
WKF 6 ...					X	X*	X
WKF 10 ...	X*	X*					
WKF 16 ...			X*	X*			
WKMF 2.5 ...	X	X					
taris							
WKC 1 ...	X	X					
WKC 2.5 ...			X	X			
selos							
WK 2.5 ...	X	X					
WK 4 ...			X	X			
WK 6 ...					X*	X*	X
WKN 10 ...	X*	X*					
WKN 16 ...			X*	X*			
WKN 35 ...					X*	X*	X*
WKN 70 ...					X*	X*	
WKM 2.5 ...	X	X					
WKM 4 ...			X	X			
9220 A/6			X	X			
9700 A/5	X	X					
9700 A/6			X	X			
9700 A/8					X*	X*	X
9700 A/10	X*	X*					
9700 A/12			X*	X*			
9700 A/16					X*	X*	

* 2 strips needed for 10 terminals
+ markers must be mounted individually
Note: the AL-markers are 69% longer than the A-markers
AL/6.7 is twice as long to allow more printing area

Marking computer in system kit

Type	Part No.	Std. Pack
Marking computer for markingcards		
marcom 2	95.502.0000.0	1
Description		
wieland marcom 2 is a openly programmable marking computer for marking tags of DIN rail terminal blocks, pluggable connectors, cables and switching devices.		
The program technology with flexible menu control produces excellent results requiring only few input.		
Entry of a sequence of figures is automatically limited by the parameters of the selected marking tags, eliminating incorrect print-out. Repeated operations can be saved as so-called JOBs and are therefore immediately available for print-out without further entries. The computer disposes of a large number of fonts, with numerical, alphanumerical (small/capital letters) and symbolic characters.		
marcom 2 is powered by an attached power supply. For a mains-independent operation, the marcom 2 Power Pack is available.		

Marking accessories for DIN rail terminal blocks

selos



2.5 mm²/5 mm width

4 mm²/6 mm width

6 mm²/8 mm width

Type	Part No.	Std. Pack	Type	Part No.	Std. Pack	Type	Part No.	Std. Pack
Marking strips, unmarked			Marking strips, unmarked			Marking strips, unmarked		
9705 A/5/10	04.242.5053.0	25	9705 A/6/10	04.242.6053.0	25	9705 A/8/10	04.242.8053.0	25
Marking strips, marked			Marking strips, marked			Marking strips, marked		
9705 A/5/9 B 1 - 9	04.842.4953.0	25	9705 A/6/9 B 1 - 9	04.842.5953.0	25	9705 A/8/9 B 1 - 9	04.842.7953.0	25
9705 A/5/10 B*	04.842.5053.0	25	9705 A/6/10 B*	04.842.6053.0	25	9705 A/8/10 B*	04.842.8053.0	25
9705 A/5/10 B 1 - 10	04.845.0153.0	25	9705 A/6/10 B 1 - 10	04.846.0153.0	25	9705 A/8/10 B 1 - 10	04.848.0153.0	25
11 - 20	04.845.0253.0	25	11 - 20	04.846.0253.0	25	11 - 20	04.848.0253.0	25
21 - 30	04.845.0353.0	25	21 - 30	04.846.0353.0	25	21 - 30	04.848.0353.0	25
31 - 40	04.845.0453.0	25	31 - 40	04.846.0453.0	25	31 - 40	04.848.0453.0	25
41 - 50	04.845.0553.0	25	41 - 50	04.846.0553.0	25	41 - 50	04.848.0553.0	25
51 - 60	04.845.0653.0	25	51 - 60	04.846.0653.0	25	51 - 60	04.848.0653.0	25
61 - 70	04.845.0753.0	25	61 - 70	04.846.0753.0	25	61 - 70	04.848.0753.0	25
71 - 80	04.845.0853.0	25	71 - 80	04.846.0853.0	25	71 - 80	04.848.0853.0	25
81 - 90	04.845.0953.0	25	81 - 90	04.846.0953.0	25	81 - 90	04.848.0953.0	25
91 - 100	04.845.1053.0	25	91 - 100	04.846.1053.0	25	91 - 100	04.848.1053.0	25
⊕ (10 x)	04.855.0053.0	25	⊕ (10 x)	04.856.0053.0	25	⊕ (10 x)	04.858.0053.0	25
± (10 x)	04.855.0153.0	25	± (10 x)	04.856.0153.0	25	± (10 x)	04.858.0153.0	25
+	04.855.0253.0	25	+	04.856.0253.0	25	+	04.858.0253.0	25
-	04.855.0353.0	25	-	04.856.0353.0	25	-	04.858.0353.0	25
L1 (10 x)	04.855.0453.0	25	L1 (10 x)	04.856.0453.0	25	L1 (10 x)	04.858.0453.0	25
L2 (10 x)	04.855.0553.0	25	L2 (10 x)	04.856.0553.0	25	L2 (10 x)	04.858.0553.0	25
L3 (10 x)	04.855.0653.0	25	L3 (10 x)	04.856.0653.0	25	L3 (10 x)	04.858.0653.0	25
PE (10 x)	04.855.0753.0	25	PE (10 x)	04.856.0753.0	25	PE (10 x)	04.858.0753.0	25
SL (10 x)	04.855.3153.0	25	SL (10 x)	04.856.3153.0	25	SL (10 x)	04.858.3153.0	25
N (10 x)	04.855.3253.0	25	N (10 x)	04.856.3253.0	25	N (10 x)	04.858.3253.0	25
F1 (10 x)	04.855.0953.0	25	F1 (10 x)	04.856.0953.0	25	F1 (10 x)	04.858.0953.0	25
F2 (10 x)	04.855.1053.0	25	F2 (10 x)	04.856.1053.0	25	F2 (10 x)	04.858.1053.0	25
L1, L2, L3, N, PE (2 x)	04.855.0853.0	25	L1, L2, L3, N, PE (2 x)	04.856.0853.0	25	L1, L2, L3, N, PE (2 x)	04.858.0853.0	25
with enlarged marking area			with enlarged marking area					
9705 AL/5/10	04.242.5153.0	25	9705 AL/6/10	04.242.6353.0	25			

*Custom marking upon request

Marking accessories for DIN rail terminal blocks

selos



45° angle

Assortment of marking strips for

5/6/8 mm widths

Marking tag carrier

Type	Part No.	Std. Pack	Type	Part No.	Std. Pack
for 5 mm spacing (type 9705 A/5/10 B)			for all block widths with 4/6 digits		
1-100	04.855.1153.0	1	4 digits		
101-200	04.855.1253.0	1	9705 A/4	04.242.0950.0	200
Assortment of S0 1/5			6 digits		
	04.900.2053.0	1	9705 A/6	04.242.1250.0	200
for 6 mm spacing (type 9705 A/6/10 B)			Marking tag carrier		
1-100	04.856.1153.0	1	45° angle		
101-200	04.856.1253.0	1	9705 A/4 W	04.242.2853.0	200
Assortment of S0 1/6			2 x 4 digits, 45°, 5 mm wide		
	04.900.3053.0	1	makes the marking readable in every block position		
for 8 mm spacing (type 9705 A/8/10 B)					
1-100	04.858.1153.0	1			
101-200	04.858.1253.0	1			
Assortment of S0 1/8					
	04.900.4053.0	1			
Assortment kit, empty, S01					
	04.900.0000.0	1			
Assortment of marking strips:					
1 standard pack includes					
10 x 25 strips each = 259 strips					
= 2500 single tags					
Assortment with 500 markingstrips with 50 pcs. each					
of 1-10, 11-20, ..., 91-100					

Marking accessories for DIN rail terminal blocks



Tear-off marking strip with 10 marking tags

Marking Type	Part No.	Std. Pack	Marking Type	Part No.	Std. Pack	Marking Type	Part No.	Std. Pack
unmarked			marked with the same upper case letters			marked with the same lower case letters		
9704 A	04.241.1150.0	25	A 9704 A/AG B	04.841.2250.0	25	a 9704 A/AK B	04.841.4850.0	25
marked with the same number			B 9704 A/BG B	04.841.2350.0	25	b 9704 A/BK B	04.841.4950.0	25
1 9704 A/1 B	04.841.1150.0	25	C 9704 A/CG B	04.841.2450.0	25	c 9704 A/CK B	04.841.5050.0	25
2 9704 A/2 B	04.841.1250.0	25	D 9704 A/DG B	04.841.2550.0	25	d 9704 A/DK B	04.841.5150.0	25
3 9704 A/3 B	04.841.1350.0	25	E 9704 A/EG B	04.841.2650.0	25	e 9704 A/EK B	04.841.5250.0	25
4 9704 A/4 B	04.841.1450.0	25	F 9704 A/FG B	04.841.2750.0	25	f 9704 A/FK B	04.841.5350.0	25
5 9704 A/5 B	04.841.1550.0	25	G 9704 A/GG B	04.841.2850.0	25	g 9704 A/GK B	04.841.5450.0	25
6 9704 A/6 B	04.841.1650.0	25	H 9704 A/HG B	04.841.2950.0	25	h 9704 A/HK B	04.841.5550.0	25
7 9704 A/7 B	04.841.1750.0	25	I 9704 A/IG B	04.841.3050.0	25	i 9704 A/IK B	04.841.5650.0	25
8 9704 A/8 B	04.841.1850.0	25	J 9704 A/JG B	04.841.3150.0	25	j 9704 A/JK B	04.841.5750.0	25
9 9704 A/9 B	04.841.1950.0	25	K 9704 A/KG B	04.841.3250.0	25	k 9704 A/KK B	04.841.5850.0	25
0 9704 A/0 B	04.841.2050.0	25	L 9704 A/LG B	04.841.3350.0	25	l 9704 A/LK B	04.841.5950.0	25
marked with consecutive numbers			M 9704 A/MG B	04.841.3450.0	25	m 9704 A/MK B	04.841.6050.0	25
1-0 9704 A/1-0 B	04.841.2150.0	25	N 9704 A/NG B	04.841.3550.0	25	n 9704 A/NK B	04.841.6150.0	25
marked with the same symbols			O 9704 A/OG B	04.841.3650.0	25	o 9704 A/OK B	04.841.6250.0	25
+ 9704 A/+ B	04.841.7450.0	25	P 9704 A/PG B	04.841.3750.0	25	p 9704 A/PK B	04.841.6350.0	25
- 9704 A/- B	04.841.7550.0	25	Q 9704 A/QG B	04.841.3850.0	25	q 9704 A/QK B	04.841.6450.0	25
/ 9704 A// B	04.841.7650.0	25	R 9704 A/RG B	04.841.3950.0	25	r 9704 A/RK B	04.841.6550.0	25
. 9704 A/. B	04.841.7750.0	25	S 9704 A/SG B	04.841.4050.0	25	s 9704 A/SK B	04.841.6650.0	25
1 set of the same numbers			T 9704 A/TG B	04.841.4150.0	25	t 9704 A/TK B	04.841.6750.0	25
= 10 x 25 strips = 2500 numbers			U 9704 A/UG B	04.841.4250.0	25	u 9704 A/UK B	04.841.6850.0	25
111 to 000	04.841.9050.0	1	V 9704 A/VG B	04.841.4350.0	25	v 9704 A/VK B	04.841.6950.0	25
1 set of upper case letters			W 9704 A/WG B	04.841.4450.0	25	w 9704 A/WK B	04.841.7050.0	25
= 26 x 25 strips = 6500 letters			X 9704 A/XG B	04.841.4550.0	25	x 9704 A/XK B	04.841.7150.0	25
A to Z GB	04.841.9150.0	1	Y 9704 A/YG B	04.841.4650.0	25	y 9704 A/YK B	04.841.7250.0	25
1 set of lower case letters			Z 9704 A/ZG B	04.841.4750.0	25	z 9704 A/ZK B	04.841.7350.0	25
= 26 x 25 strips = 6500 letters								
a to z KB	04.841.9250.0	1						
Assortment with 50 numbers								
1-0	04.900.1053.0	1						
Material: Polyamide 66/6 white, marking in black		Marking per strip						