



 schleicher
 wieland

System solutions
System components
Components

The background of the page is a faded industrial factory setting with complex machinery and conveyor belts. In the foreground, a bright green plastic bin is filled with several brown cardboard boxes. One box has a white shipping label with some text and a barcode. The overall scene suggests a manufacturing or logistics environment.

Components and System Components for Field Applications

Remote automation

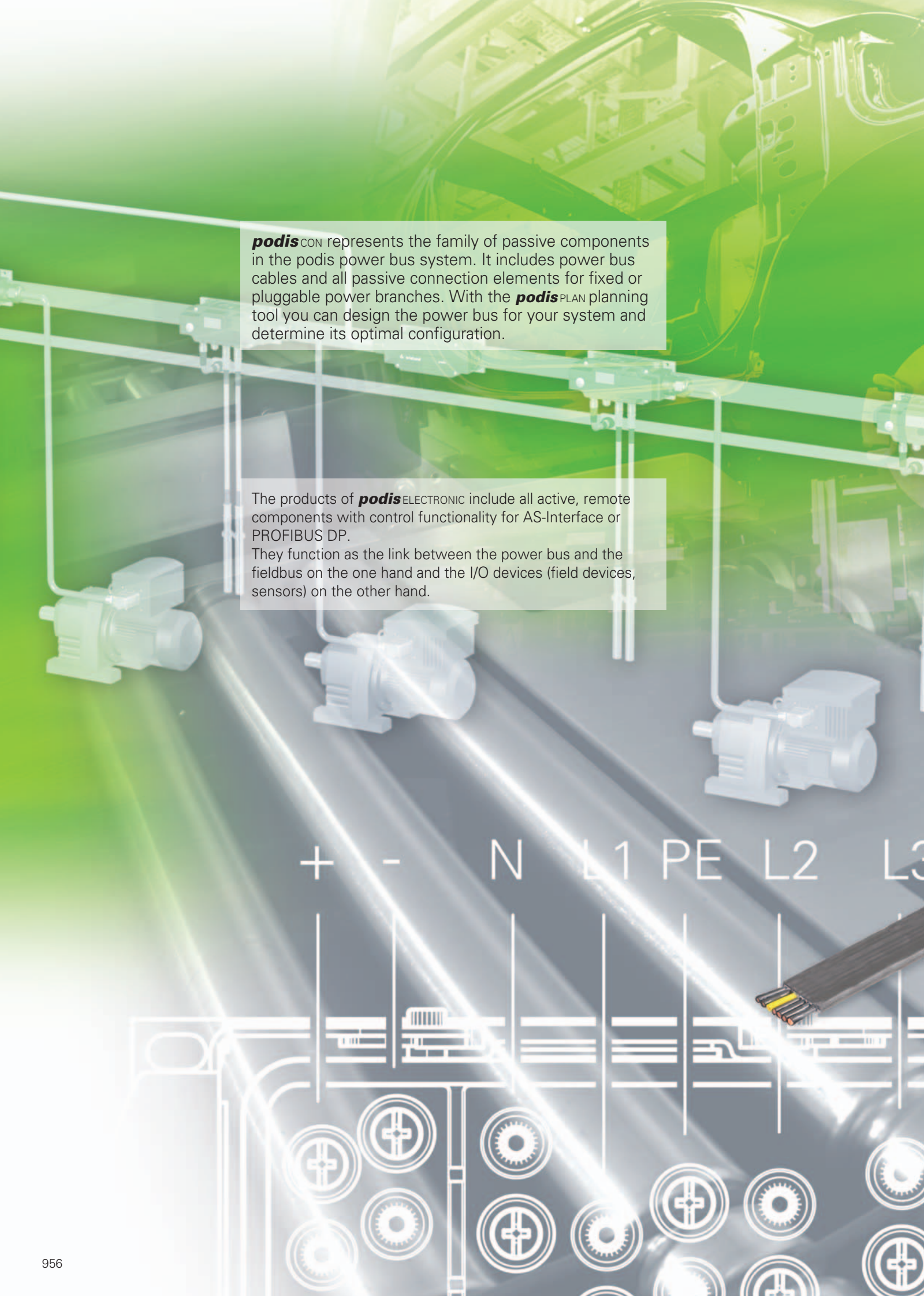
The power bus system for remote installation and fieldbus interfaces for applications in the automotive industry, conveyor technology and system engineering.

RST

A complete connector system with IP68 protection that fulfills all the requirements of an economical electrical installation, both in plant engineering and device engineering.

Industrial multipole connectors

Specially designed for applications in rough environmental conditions. The main areas of application are the automotive industry, mechanical engineering and system engineering as well as measuring and control technology.



podis_{CON} represents the family of passive components in the podis power bus system. It includes power bus cables and all passive connection elements for fixed or pluggable power branches. With the **podis**_{PLAN} planning tool you can design the power bus for your system and determine its optimal configuration.

The products of **podis**_{ELECTRONIC} include all active, remote components with control functionality for AS-Interface or PROFIBUS DP. They function as the link between the power bus and the fieldbus on the one hand and the I/O devices (field devices, sensors) on the other hand.

+ - N L1 PE L2 L3



Remote Automation

podis[®]



Contents

			Page
Introduction to remote automation with <i>podis</i>		System description	960
		Applications	964
		podis PLAN planning software	966
		Technical information	968
podis CON	Power bus flat cables	PVC 7 x 2.5 mm ²	969
		EVA 7 x 4 mm ²	969
	Fixed connection modules	7 pole, 500 V, insulation-piercing termination / spring clamp connection	970
		7 pole, 277/480 V, insulation-piercing termination / screw connection	970
		2/3 pole, 50 V, insulation-piercing termination / screw connection	971
	Distribution module	7 pole, 500 V, screw connection	972
	Pluggable tap modules	7 pole, 500 V, insulation-piercing termination / female connector	972
	Connector	7 pole, 277/480 V, male connector / screw connection	973
	Expansion connector	7 pole, 277/480 V, expansion connector / screw connection	973
	Connection cables	7 pole, connection cable, male connector / free end	974
		7 pole, connection cable, male connector / connection module	974
		7 pole, connection cable, connection module / free end	975
		7 pole, connection cable, connection module / connection module	975
		7 pole, connection cable, connection module with repair switch / free end	976
Accessories	Cutter	977	
	Sheath stripping tools	977	
	Screwdriver	977	
Power bus accessories	Cable end cap (bus termination)	977	
	Flat cable bushing	977	
	Fastening clips	977	
	Sealing sleeve	977	
Power bus accessories	Cover plates / protective covers	978	
	Cable glands	978	
Multipole connectors for the power bus	revos multipole connector housings with flat cable bushing	979	
	Female insert	979	
	Male insert	979	

Contents

podis

Contents

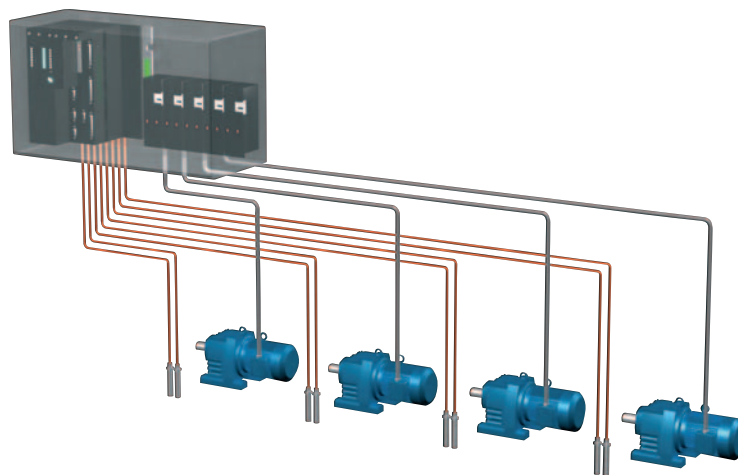
			Page
podis ^{CON}	Overvoltage protection	AS-i connection clip with overvoltage protection	980
	Sample kit		981
podis ^{PLAN}	Planning software	Planning software for the podis power bus	981
podis ^{ELECTRONIC}	podis ^{MOT}	Binary interface at the AS-i	982
	podis ^{MOT}	Serial interface at the AS-i	986
	podis ^{SWITCH}	Switch on the AS-i	988
	podis ^{MOT}	Binary interface at the AS-i	990
	podis ^{SWITCH}	Switch on the AS-i	992
	podis ^{I/O}	I/O module on the AS-i	994
	podis ^{MOT}	Serial interface at the PROFIBUS-DP	996
	podis ^{PS}	Remote switch-mode power supply	998
	Accessories	AS-Interface	1000 1002 1002 1002
		PROFIBUS-DP	1002 1003
		Actuator/sensor termination cables	1003

Decentralization in automation

Until a few years ago almost all industrial systems were supplied with power and control signals from a central control cabinet. Drive elements were then switched, controlled, regulated and monitored through contactors, circuit breakers or frequency converters within the central control cabinet. All drives as well as sensors and actuators were started

individually through cables connected to the control cabinet. As the drive units became increasingly complex with their optional components such as brakes, special fans or position sensors or encoders, additional cable connections to the central control system were required.

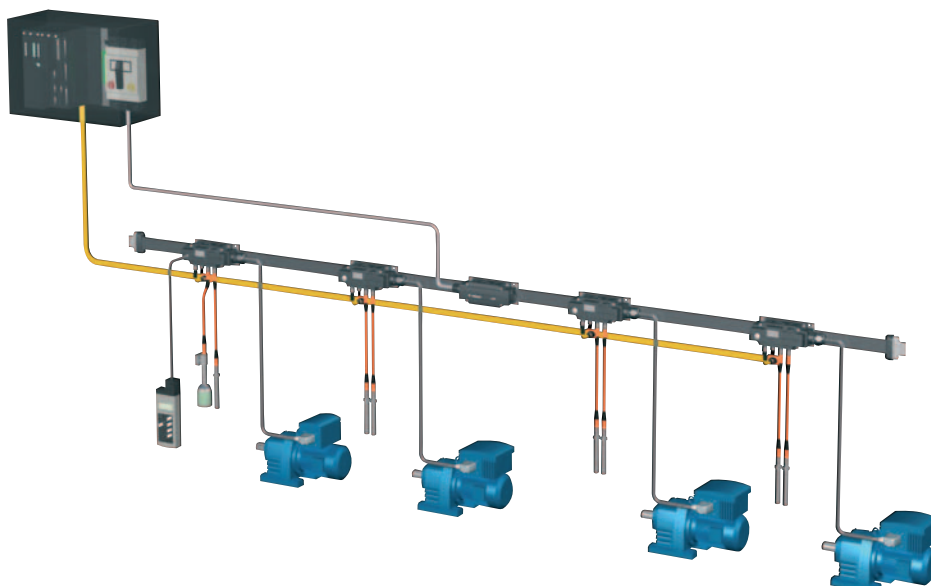
Central installation



Remote automation has greatly expanded, particularly in wide-area industrial systems, as the amount of cabling material required causes considerable installation costs. Remote installation has established itself even in systems with only a few I/O points, but many drives spread over a wider area. As a result the number of central control cabinets has fallen to a minimum. Their task is limited to power supply via circuit

breakers and possibly the control of signal processing and diagnostics. Distribution of the power and signals in the field, however, is performed within a remote system through a power and data bus, where the power of control signals can ideally be tapped off in any required position close to the field device.

Remote installation



Power bus for remote installation: *podis*[®]CON

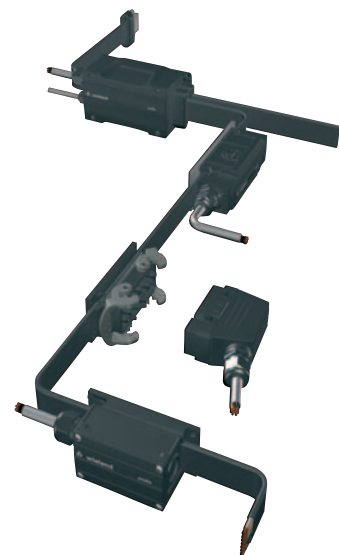
The **podis** power bus is a remote system. Power is distributed in the field through 7 pole flexible flat cables in 2.5 mm² or 4 mm². Fixed or pluggable power outputs for the drives are installed quickly, easily and close to the field device in any position required without interruption of the power bus line. The **podis** system is based on the 7 pole flexible flat cable and an interruption-free connection technology with insulation-piercing termination. This is a new concept of power transmission and distribution in protection degree IP 65 for

automation technology in industrial environments. Wieland Electric introduced the system to the market in 2000, and regularly has been able to prove its reliability and potential for efficiency since then.

Regarding its safety, the system operates stably according to EN 60 947-7-1 over extended periods of time.

What are the outstanding features of the **podis** power bus?

- Simple and fast installation
- Prevention of wiring errors due to coded power outputs
- Contacting without stripping the sheath or insulation
- Flexible addition of branch lines
- Connection of power outputs – pluggable or fixed
- Optimal design of the power bus by means of the planning tool **podis**PLAN



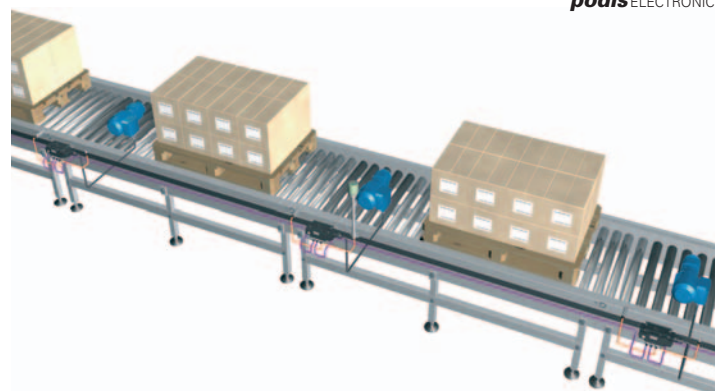
podisCON

Field components for remote automation: *podis*[®]ELECTRONIC

A power bus can, in principal, be constructed with all fieldbus systems that have a common cable and connection technology for data and auxiliary power. These include, for example, AS-Interface or PROFIBUS DP. A tailor-made solution for the power bus is the AS-Interface that harmonically completes the flexible power rail with its typical features such

as tree structure, unscreened two-wire cable and integrated auxiliary power. The data volume per address meets the requirements for simple sensors and actuators such as motor starters. The available address space with a maximum of 62 addresses provides sufficient options for additional AS-i components.

The **podis**CON power bus can be combined with the **podis**ELECTRONIC interface modules to transfer not only the data, but also serially from module to module the power required for the drives. Very heavy drive cables are replaced by one single power cable. This is also a benefit in view of electromagnetic compatibility, as the interference spectrum is omitted that would build within the system over several hundred meters when the drives are switched in a central control cabinet. Induced interferences are now limited to the connection cable from the remote motor starter to the drive – mostly only a few meters – and are omitted completely in case of motor-integrated starters. As there are only a few different modules, specifying and ordering is extremely simplified.

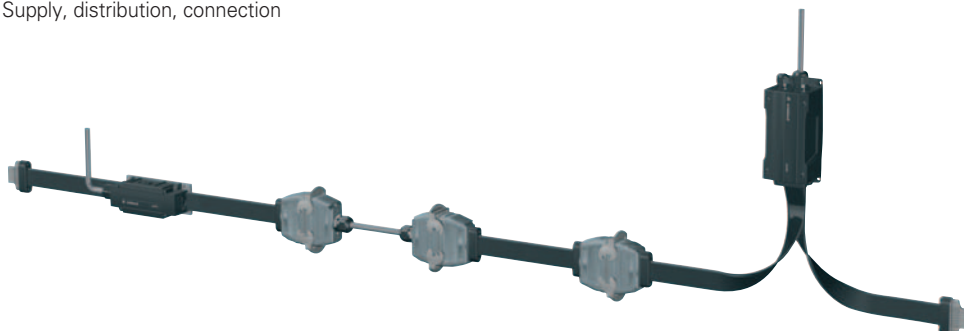


podisELECTRONIC

Remote installation with the *podis*[®] power bus – *podis*[®]CON

podis[®]

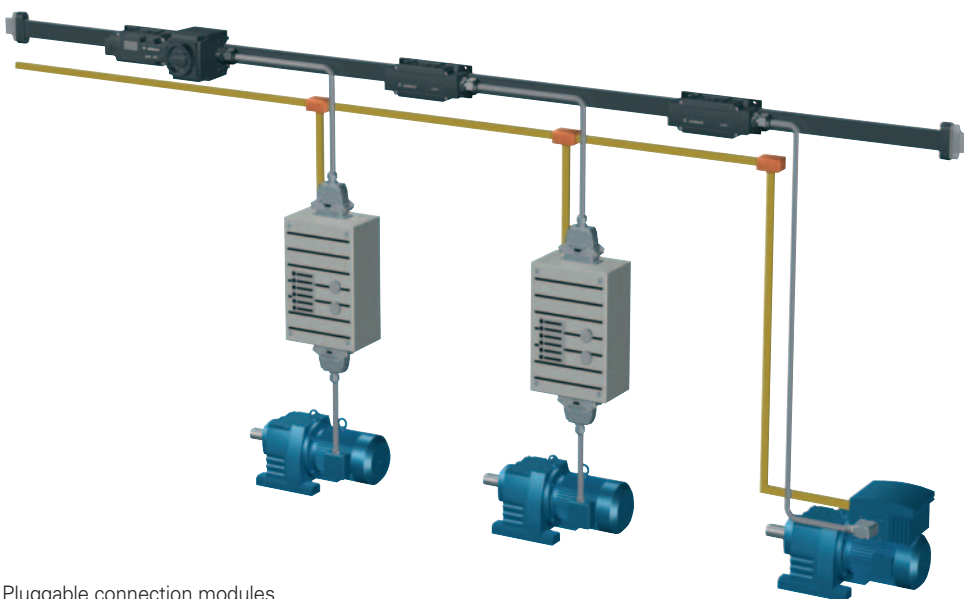
Supply, distribution, connection



Supply and distribution

Power and auxiliary voltage are supplied through the connection module, the distribution module or directly inside the control cabinet through the control cabinet bushing. Another possibility is provided with the *revos*^{POWER} connectors with flat cable bushings. The AS-Interface signal can also be transmitted instead of the auxiliary power through a 7 pole flat cable pair. With connection clips with integrated suppressor circuit, the AS-Interface signals are coupled into the power bus or decoupled from it.

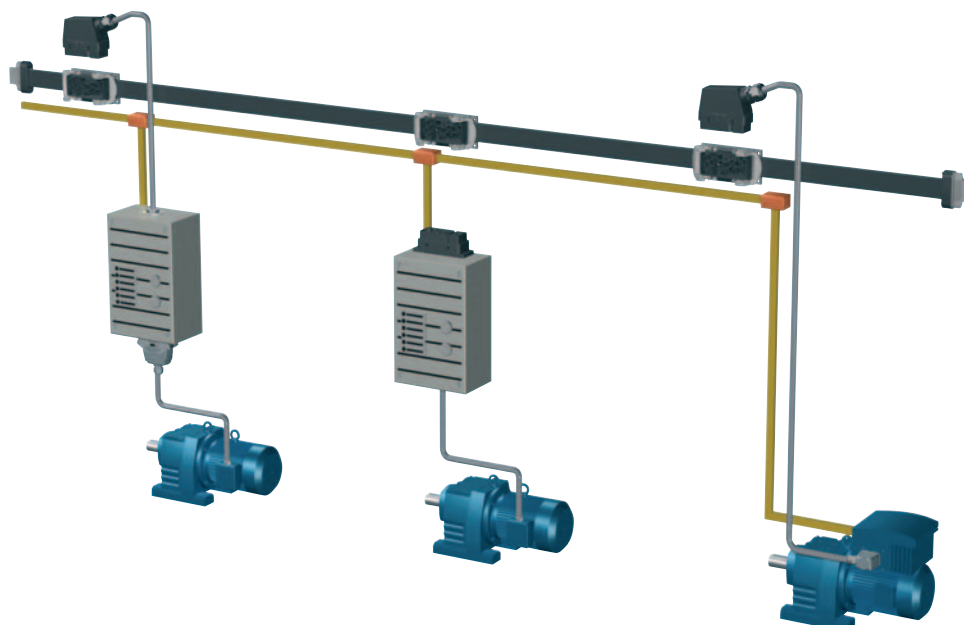
Fixed connection modules



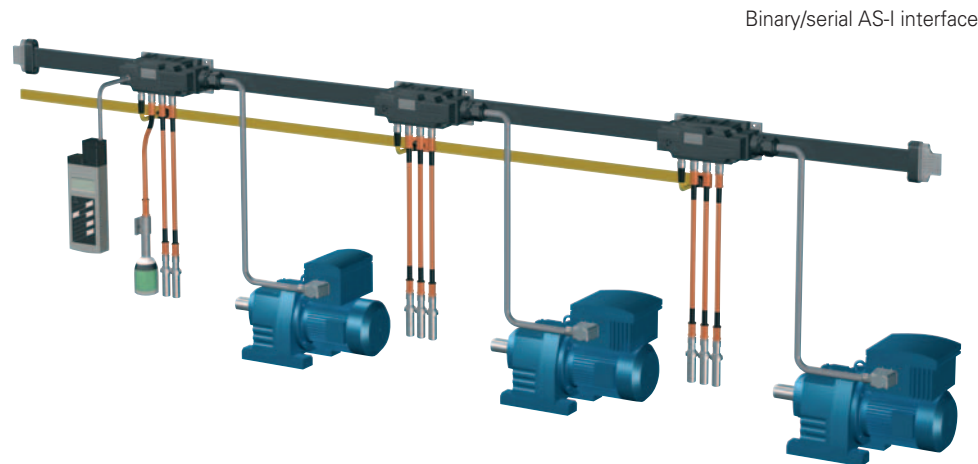
Output without Interruption

Connection modules with firmly connected cables or pluggable cable outputs are connected to the power bus quickly and error-free in any position required by using the integrated insulation-piercing termination. Mechanical preparation such as stripping of the sheath or insulation is not required. The coded flat cable ensures an error-free connection.

Pluggable connection modules



Remote automation with the *podis*[®] power bus – *podis*[®]ELECTRONIC

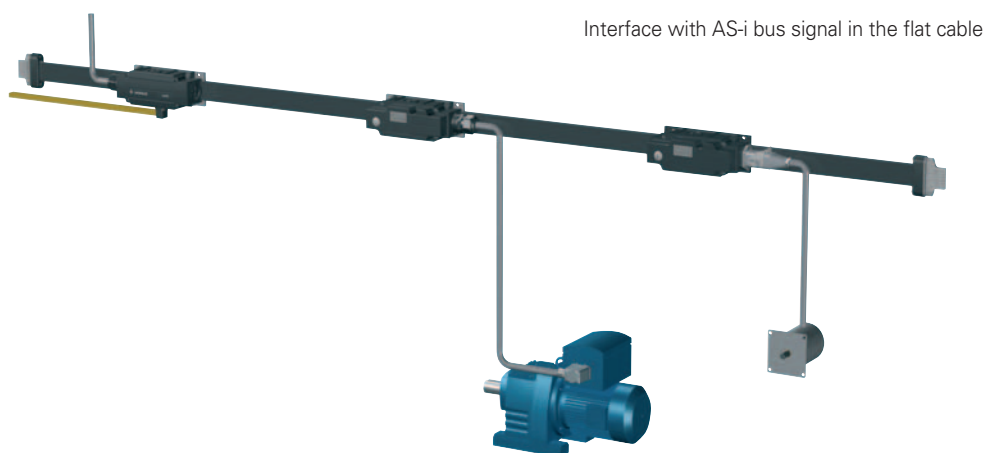


Binary/serial AS-I interface

The power bus can be constructed, in principal, with all fieldbus systems.

AS-Interface external

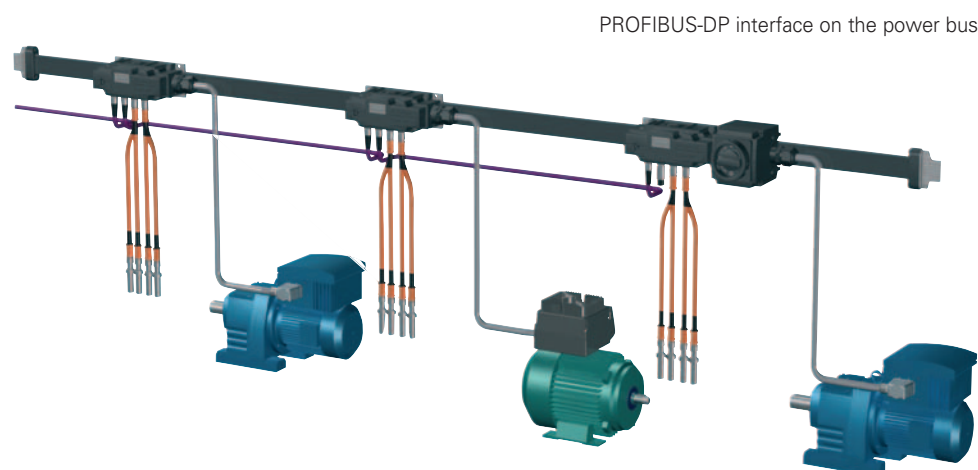
- AS-i interfaces with power supply from remote motor starters or frequency converters through binary or serial protocols.
- Switching of single-phase field devices such as valves, magnetic valves or solenoids.
- Connection of up to three sensors/actuators through M12 connectors.



Interface with AS-i bus signal in the flat cable

AS-Interface integrated

Remote field devices that separate their auxiliary power from the AS-Interface, alternatively can also be controlled through interfaces with AS-Interface integrated in the flat cable.



PROFIBUS-DP interface on the power bus

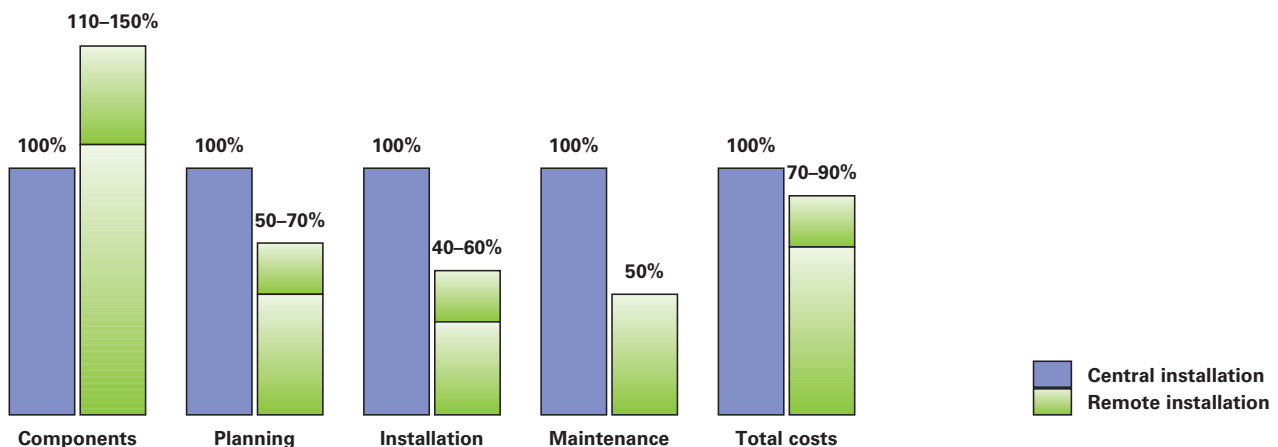
PROFIBUS-DP

PROFIBUS-DP interfaces for remote drives with integrated frequency converters for increased requirements in configuration and diagnostics.

podis[®] applications in practice

podis is used daily in different areas such as in the automotive industry, in material handling technology, in mechanical engineering and in special-purpose machine engineering. Our customers benefit from the clear cost reductions of a remote power distribution with *podis*, as

- it can be planned and configured clearly and flexibly, and
- installed or reconfigured quickly and with little material;
- the system is ready for operation within no time;
- optimal diagnostics and maintenance are ensured as the installation is easily accessible.



These are the direct effects of remote power bus installation and the specific *podis* connection technology that prevents most wiring errors. *podis* is easy to service, as all components are installed in such a way that they are easily viewed and accessible. The diagnostics functions make it easy to troubleshoot the system. The pluggable installation is consistent and thus enables a quick and simple replacement of

the components. Practical applications have proven that the systems are clearly less interference-prone during operation than traditional installations, and therefore provide greater availability. These factors are decisive for competitiveness and quality in all industries. With *podis* they can be optimized even more compared to conventional systems.

Applications

podis

Conveyor technology in the automotive industry:

podis fulfills the requirements for ever shorter system installation and start-up times. In addition to the compulsory flat cable, the typical components of such an application are the remote fieldbus interfaces for the drives.

podis can be installed easily and quickly; it defines the modular principle, as **podis** components can be integrated into the pre-assembly of the system. On site, the pre-assembled modules only have to be connected and put into service.



podis in material handling technology:

podis supports and contributes to the benefits of flexibility provided by modern conveyor systems that are used in intralogistics or conveyor systems in airports.

podis in mechanical engineering:

Large manufacturing plants as well as special-purpose machines can fully utilize the properties of **podis**, particularly its interruption-free power output from any position of the power line. The **podis** application options mirror the variety of applications in mechanical engineering and special-purpose machine construction.

podisELECTRONIC modules are used to control remote motor starters and AC motors as well as other applications operated by magnet coils such as valves, solenoids or track switches.



Planning software **podis** PLAN

As a power distribution system for remote supply at the field level, the power bus provides serious savings potential regarding design costs, installation and start-up. Instead of the point-to-point distribution from the control cabinet to the individual field device, the power bus supplies not only power to the individual field devices but also distributes control voltages or data.

For an efficient design of the system and in order to assess the required protection standards, the results of electrotechnical calculations for utilization, voltage drop and short circuit are required.

The planning tool **podis** PLAN supports you in configuring the power requirements for your specific power bus system.

The graphical presentation helps you determine the optimal design for your power bus including the ideal supply point. Thus you avoid system failure caused by non-responsive protection devices. You avoid overdimensioning of the cables that is common in "safe designs" based on experience. Inconsistencies or unfavorable configurations are recognized immediately in planning. You thus avoid cost-intensive errors from the first design stage.



Part No. 95.502.1010.0

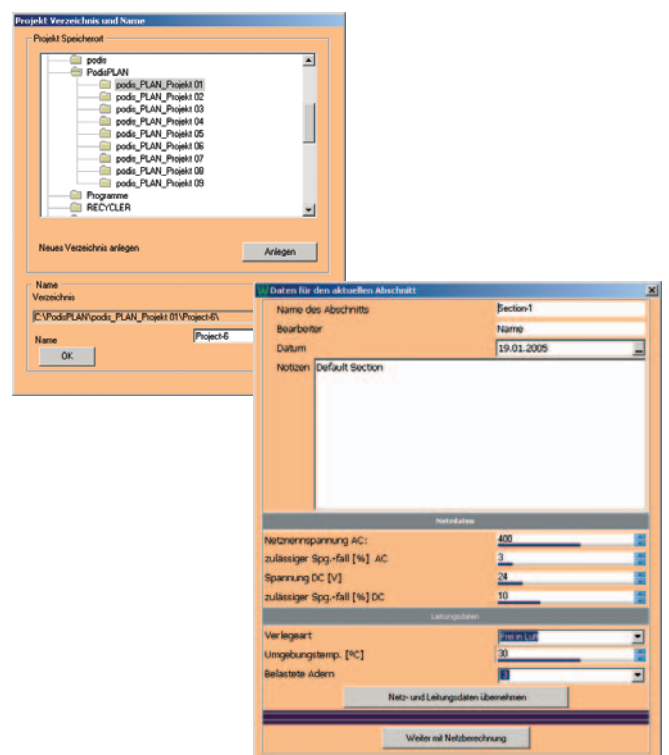
Project management

The project explorer helps you to manage documents in an orderly manner, **podis** PLAN provides clear management of both complete and partial projects.

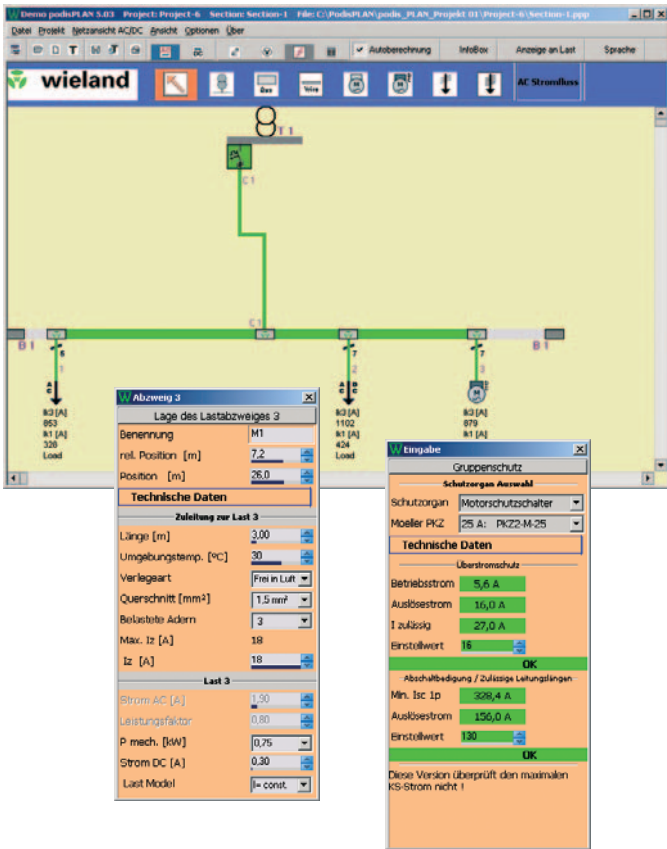
Entering network and supply parameters

The user first enters the network or supply parameters required for supply of main and auxiliary power to the power bus:

- Rated line voltage AC/DC
- Permissible voltage drop
- Ambient temperature
- Loaded wires



Remote automation *podis*



Entering the system protection, cable and load parameters

You can graphically configure your systems including the assignment of the components. Protection devices, cable and load parameters can be selected and entered conveniently in the input form.

Supply parameters:

- Supply position on the power bus
- Selection and setting of the protection devices
- Supply short-circuit current IK''

Load parameters:

- Connection position on the power bus
- Power consumption and load current
- $\cos \phi$
- Permissible voltage drops
- Simultaneity factor
- Load determination

Installation parameters

- Installation type
- Cable cross section and number of loaded cables
- Ambient temperature
- Length and cross sections of the supply cables and the power bus

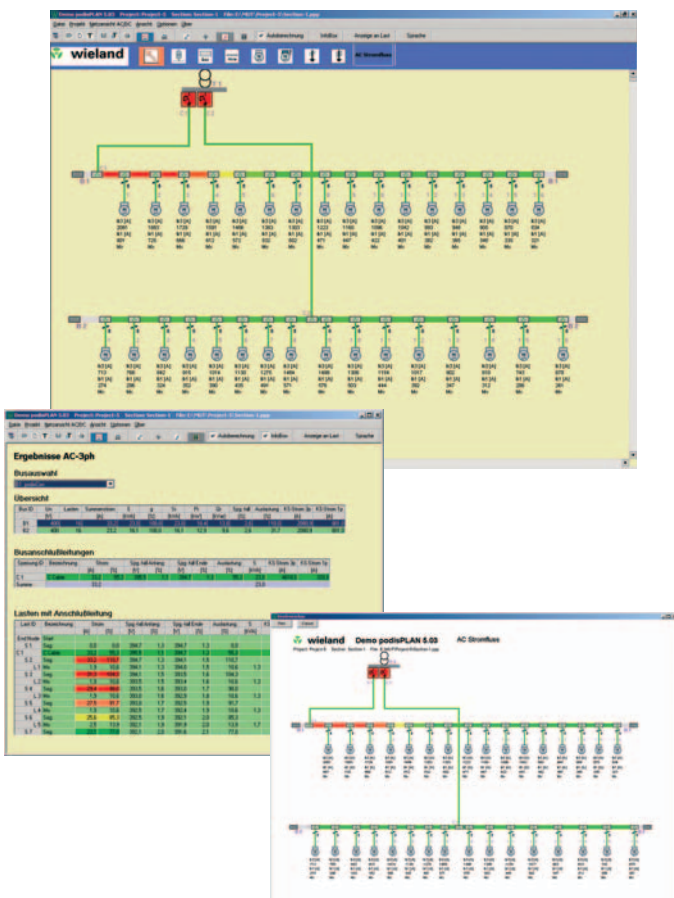
Calculation

podisPLAN calculates the permissible static load for the system configuration and defines the following characteristics based on your input:

- Total power and total current (AC and DC)
- Short-circuit current (AC and DC)
- Voltage drop
- Current carrying capability
- Total length and segment lengths
- Meterization lengths

Output

The results are output graphically or tabularly. The values are calculated in the background during input; overload and errors are highlighted in color in the diagram. For documentation purposes, the results can be saved or printed using the project explorer.



In line with the valid regulations, installation, start-up and maintenance of all **podis**CON components must be selected by qualified specialists.

The **podis**CON flat cable must be secured with a line breaker according to DIN VDE 0100 sec. 460 and 537.

podisCON must only be operated in networks with grounded supply (TN-S networks). An ungrounded design of **podis** systems is not permissible. According to DIN VDE 0100-520, the cable and line systems including

their accessories must only be installed in those ambient temperatures that lie within the relevant cable standard range or the limit values specified by the manufacturer.

The limit values for the flat cable are indicated in tables 1 and 2 for a specified protection depending on the layout and the number of loaded conductors.

The limit values for the connection components depending on the temperature and the loaded wires are provided in table 3.

Table 1: Current carrying capability of the **podis**CON flat cable PVC 7 x 2.5 mm²

Loaded wires	Suspended in the air d >10 mm			Loose on the wall or floor			Cable duct		
	3	5	6	3	5	6	3	5	6
Temperature °C	max. leakage current			max. leakage current			max. leakage current		
20	32	25	25	25	20	20	25	20	20
25	32	25	25	25	20	20	25	20	20
30	25	25	20	25	20	20	20	20	16
35	25	20	20	25	20	20	20	16	16
40	25	20	20	20	16	16	20	16	16
45	20	20	16	20	16	16	16	16	12
50	20	16	16	16	16	12	16	12	12

Table 2: Current carrying capability of the **podis**CON flat cable EVA 7 x 4 mm²

Loaded wires	Suspended in the air d >10 mm			Loose on the wall or floor			Cable duct		
	3	5	6	3	5	6	3	5	6
Temperature °C	max. leakage current			max. leakage current			max. leakage current		
20	40	35	35	40	32	32	35	30	25
25	40	35	35	35	32	30	35	30	25
30	40	35	32	35	30	25	32	25	25
35	35	32	30	32	25	25	30	25	25
40	35	30	25	30	25	25	25	20	20
45	32	25	25	25	20	20	25	20	20
50	25	25	20	25	20	20	20	20	16

Under other installation conditions, standard VDE 0298-4 will apply.

Table 3: Limit values of the current carrying capability of the **podis**CON connection components on the flat cable EVA 7x4 mm²;
Valid for: - Connection module fixed; 7 pole spring clamp connection (75.018.0051.2) and
- Flat cable output pluggable; 7 pole (75.015.5153.1)

Ambient temperature °C	Termination point						
	1	2	3	4	PE	5	6
20	25	25	25	0	0	25	25
25	25	25	25	0	0	25	25
30	25	25	25	0	0	20	20
35	25	25	25	0	0	10	10
40	23.5	23.5	23.5	0	0	10	10
50	16	16	16	0	0	16	16

Components

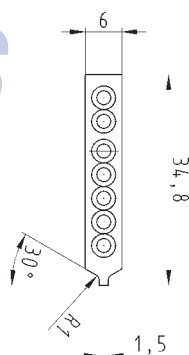
podis

7 pole power bus flat cable for the remote installation system **podis**. For use under normal mechanical strain in industrial areas. For fixed installation in dry, humid or wet rooms as well as in cable ducts. The EVA flat cable is also suitable for outdoor installations.

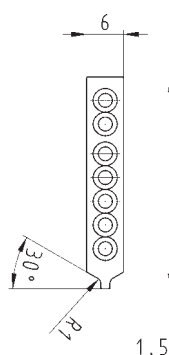
Electrical connection through system-compliant insulation-piercing termination, or screw terminal or spring clamp terminal.

Not suitable for permanent installation in water or in the ground. Not suitable for ground cables.

Manufacturer's declaration of conformity for the contact system according to IEC 60947-1.



6	white
5	red
PE	green/yellow
4	blue
3	gray
2	black
1	brown



6	black
5	black
PE	green/yellow
4	black
3	black
2	black
1	black



Flat cable 7 x 2.5 mm² PVC

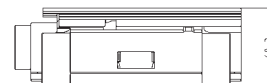
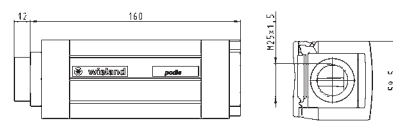
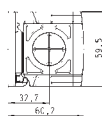
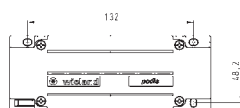
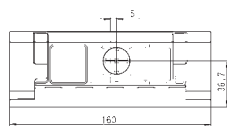
Approvals:

Flat cable 7 x 4 mm² EVA

Approvals: being prepared:

Description	Type	Part No.	Std. Pack	Type	Part No.	Std. Pack
Flat cable	7 x 2.5 mm ² , PVC gray	00.705.0503.3	1(*)	7 x 4 mm ² , EVA black	00.709.0504.1	1(*)
	(*) Drum with approx. 1000 m, cut to order			(*) Drum with approx. 1000 m, cut to order		
Technical data						
Rated current	For the current carrying capability see the derating table on page 968			For the current carrying capability see the derating table on page 968		
Rated voltage	690/1000 V (VDE) 600 V (UL)			450/750 V (VDE) 1000 V (UL)		
Outer sheath	PVC			EVA		
Sheath color	light gray			black		
General data						
Temperature ranges	-15 °C – +50 °C			-15 °C – +90 °C		
- Ambient operating temperature	+10 °C – +50 °C			-5 °C – +50 °C		
- Installation/connection	Cross section 35 x 6.1 mm with single-sided coding			Cross section 35 x 6.1 mm with single-sided coding		
Dimensions	min. 100 mm			min. 18 mm		
Bending radius	402 kg/km			440 kg/km		
Weight	50 N/mm ²			50 N/mm ²		
Max. pull force (over the entire cable width) during installation	DIN VDE 0281-1 and CENELEC HD 21.1 53 Tab. 2			DIN VDE 0473 sec. 811-2-1		
Oil resistance	resistant to acids, lyes, detergents			resistant to acids, lyes, detergents		
Resistance	self-extinguishing according to DIN VDE 0472 sec. 804 B and IEC 60332-1			self-extinguishing according to DIN VDE 0472 Teil 804 B and IEC 60332-1		
Flammability class	resistant to acids, lyes, detergents			spatter-resistant		
Fire behavior	Flame-retardant according to VDE 0482 Teil 265-2-1 (EN50265-2-1)			Flame-retardant according to VDE 0482 Teil 265-2-1 (EN50265-2-1)		
Substances preventing paint curing	none			none		
Halogens	included			none		
Accessories						
Fastening clip		05.562.3000.0	100		05.562.3000.0	100
Cable end cap IP65		Z5.562.7553.1	10		Z5.562.7553.1	10
Cutter		95.300.0300.0	1		95.300.0300.0	1
Sheath stripping knife					95.350.0700.0	1
Sheath stripping tool		95.350.0300.0	1			
Sealing sleeve		Z1.005.6553.1	1		Z1.005.6553.1	1
Flat cable bushing		Z5.563.6553.1	10		Z5.563.6553.1	10

The power and control voltage are drawn from or supplied to the flat cable interruption-free through the connection modules.



Connection module 16 A, 7 pole Spring clamp connection

Approvals being prepared:

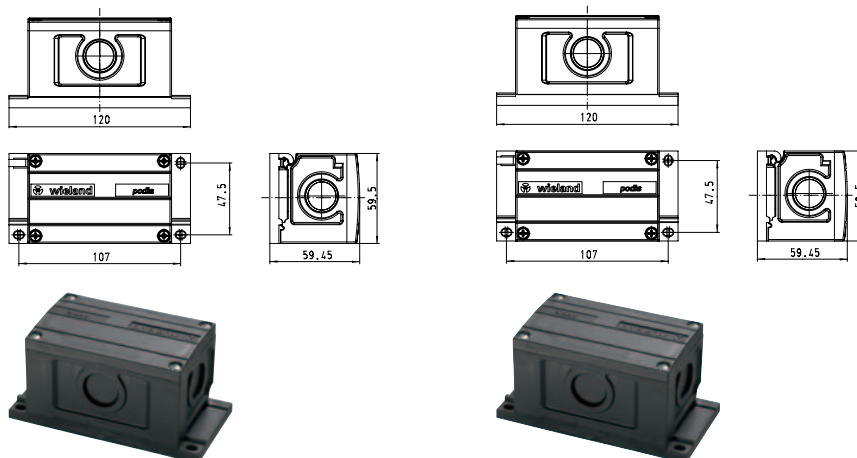
Connection module 16 A, 7 pole Screw connection

Approvals:

Description	Type	Part No.	Std. Pack	Type	Part No.	Std. Pack
Connection module 7 pole with knockouts 2 x M25, 2 x M20; spring clamp terminals	FCS 4 7 SI FK	75.018.0051.2	5			
Connection module 7 pole, with threaded cable gland M25 x 1.5; screw terminals, black				FCS 2,5 7 SI SA	75.016.0051.2	5
Connection module 7 pole, with threaded gland M25 x 1.5; screw terminals, light gray				FCS 2,5 7 SI SA	75.016.0053.2	5
Technical data						
Rated current (up to 50 °C ambient temperature)	16 A – For derating see page 968 table 3			16 A		
Rated cross section	4 mm ²			2.5 mm ²		
Connection technology	Spring clamp terminals			Screw terminals		
Conductor size AWG	16 – 12			16 – 14		
Wire range						
– stranded and fine-stranded	1.5 – 4 mm ²			1.5 – 2.5 mm ²		
– solid	1.5 – 6 mm ²			1.5 – 4 mm ²		
Rated voltage						
– Primary circuit (L1, L2, L3, N, PE)	500 V/6 kV (VDE); 600 V (UL, CSA)			277/480 V/4 kV/3 (VDE); 600 V (UL, CSA)		
– Secondary circuit (5; 6)	50 V/0.8 kV/3 (VDE), 125 V (UL), 150 V (CSA)			50 V/0.8 kV/3 (VDE), 125 V (UL), 150 V (CSA)		
General data						
Dimensions L x W x H	160 x 60 x 60 mm			171 x 59.5 x 60 mm		
Temperature range						
– Ambient operating temperature	-15 °C – +50 °C			-15 °C – +50 °C		
– Installation/connection	See under “Cables”			See under “Cables”		
Overvoltage category	III			III		
Degree of protection	IP65 (when connected)			IP65 (when connected)		
Accessories						
Cable gland M25 x 1.5 black, for round cables with – cable diameter of 9 – 16 mm		Z5.507.1453.1	10		Z5.507.1453.1	10
– cable diameter of 13 – 18 mm		Z5.507.1553.1	10		Z5.507.1553.1	10
Lock nut M25 x 1.5 black		05.505.0253.1	10			
Cable gland M20 x 1.5, black, – cable Ø 7 – 13 mm		Z5.507.1353.1	10			
– for AS-i profile cable		Z5.505.0653.1	10			
Lock nut M20 x 1.5, black		05.505.0153.1	10			

Components *podis*

The power and control voltage are drawn from the flat cable interruption-free through the connection modules.



Connection module 16 A, 2 pole Screw connection

Approvals: being prepared:

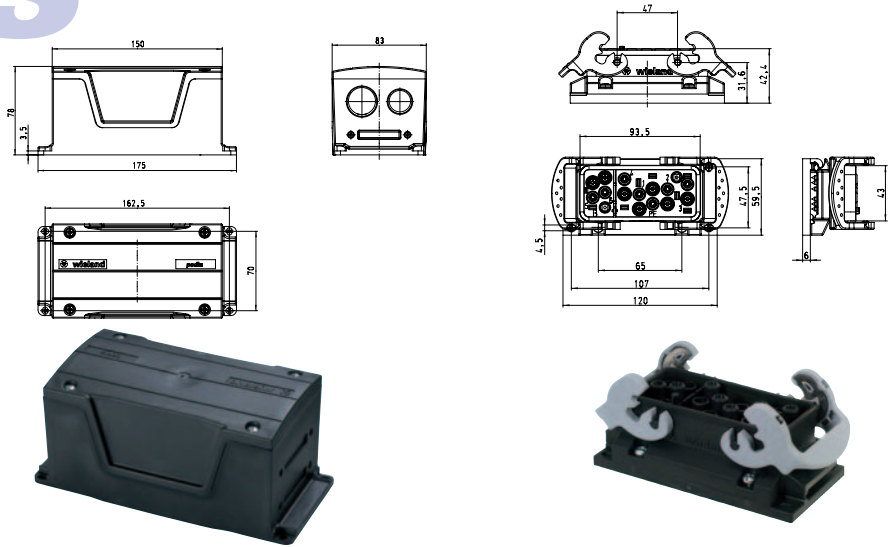
Connection module 16 A, 3 pole Screw connection

Approvals: being prepared:

Description	Type	Part No.	Std. Pack	Type	Part No.	Std. Pack
Connection module 2 pole with knockouts (3 x M20) contacted cables 5; 6	FCS 2,5 2 SI SA	75.016.2053.1	5			
Connection module 3 pole with knockouts (3 x M20) contacted cables 4; 5; 6				FCS 2,5 3 SI SA	75.016.3053.1	5
Technical data						
Rated current (up to 50 °C ambient temperature)	16 A			16 A		
Rated cross section	2.5 mm ²			2.5 mm ²		
Connection technology	Screw terminals			Screw terminals		
Conductor size AWG	16 – 14			16 – 14		
Wire range						
– stranded and fine-stranded	1.5 – 2.5 mm ²			1.5 – 2.5 mm ²		
– solid	1.5 – 4 mm ²			1.5 – 4 mm ²		
Rated voltage						
– Primary circuit (L1, L2, L3, N, PE)						
– Secondary circuit (5; 6)	50 V/0.8 kV/3 (VDE), 125 V (UL), 150 V (CSA)			50 V/0.8 kV/3 (VDE), 125 V (UL), 150 V (CSA)		
General data						
Dimensions L x W x H	120 x 60 x 60 mm			120 x 60 x 60 mm		
Temperature range						
– Ambient operating temperature	-15 °C – + 50 °C			-15 °C – + 50 °C		
– Installation/connection	see under cables			see under cables		
Overvoltage category	III			III		
Degree of protection	IP65 (when connected)			IP65 (when connected)		
Accessories						
Cable gland M25 x 1.5 black, for round cables with – cable diameter of 9 – 16 mm – cable diameter of 13 – 18 mm						
Lock nut M25 x 1.5 black						
Cable gland M20 x 1.5, black, – cable Ø 7 – 13 mm		Z5.507.1353.1	10		Z5.507.1353.1	10
– for AS-i profile cable		Z5.505.0653.1	10		Z5.505.0653.1	10
Lock nut M20 x 1.5, black		05.505.0153.1	10		05.505.0153.1	10

The distribution module is a multi-functional component within the **podis**CON power bus system. It is used to supply, branch and distribute power or control voltage. All cables are connected to two-tier DIN rail terminal blocks inside the distribution module.

The pluggable flat cable outlet is the connection of choice whenever end devices are connected to the power bus by plugging them in. The electrical contact to the flat cable is produced through insulation-piercing termination.



Distribution module 32 A

Approvals: being prepared:

Flat cable outlet, pluggable 16 A

Approvals being prepared:

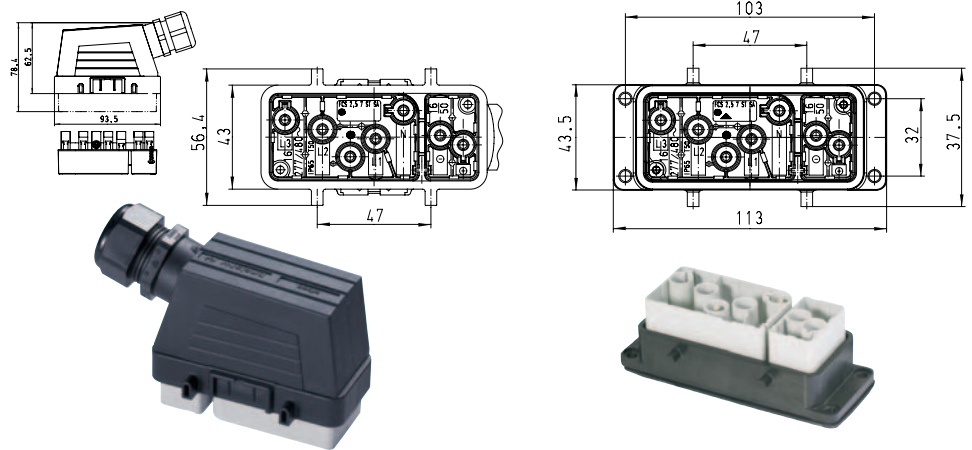
Description	Type	Part No.	Std. Pack	Type	Part No.	Std. Pack
Flat cable outlet, pluggable, with locking lever				FCS 4 7 SI BU, 7-polig	75.015.5153.1	5
Distribution module (1 x M25; 1 x M20; 3 x flat cable)	FCS 4 7 SA SA, 7-polig	75.010.0053.1	2			
Technical data						
Rated current (up to 50 °C ambient temperature)	32 A			16 A – For derating see page 968 table 3		
Rated cross section	4 mm ²			4 mm ²		
Connection technology	Screw terminals			Insulation-piercing termination		
Conductor size AWG	22 – 10 (UL)					
Wire range						
– stranded and fine-stranded	1.5 – 4 mm ²					
– solid	1.5 – 6 mm ²					
Rated voltage						
Primary circuit (L1, L2, L3, N, PE)	500 V/6 kV/3 (VDE); 600 V (UL/CSA)			500 V/6 kV/3 (VDE), 600 V (UL, CSA)		
Secondary circuit (5; 6)	500 V/6 kV/3 (VDE); 600 V (UL/CSA)			50 V/0.8 kV/3 (VDE), 125 V (UL), 150 V (CSA)		
General data						
Dimensions LxWxH	176x81.5x78 mm			120x60x60 mm		
Temperature range						
– Ambient operating temperature	-15 °C – +50 °C			-15 °C – +50 °C		
– Installation/connection	see under cables			see under cables		
Overvoltage category	III			III		
Overvoltage category	IP65 (with appropriate cable glands)			IP65 (when locked)		
Accessories						
Protective cover				07.409.7256.0		10
Male connector for flat cable outlet						
Cable gland M25 x 1.5 black, for round cables with						
– cable Ø 9 – 16 mm		Z5.507.1453.1	10			
– cable Ø 13 – 18 mm		Z5.507.1553.1	10			
Lock nut M25 x 1.5 black		05.505.0253.1	10			
Cable gland M20 x 1.5 black, for round cables with						
– cable Ø 7 – 13 mm		Z5.507.1353.1	10			
– for AS-i profile cable		Z5.505.0653.1	10			
Lock nut M20 x 1.5, black		05.505.0153.1	10			
podis CON flat cable bushings		Z5.563.6553.1	10			

Components

podis

With the **podis**CON male connector, field devices can be connected to the power bus by plugging them in.

With the expansion connector, field devices or sub-distribution units can be connected directly to the power bus without using a connection cable.



podisCON male connector 16 A

Approvals: being prepared:

Expansion connector insert 16 A

Approvals being prepared:

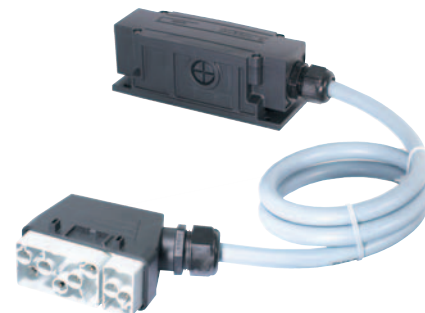
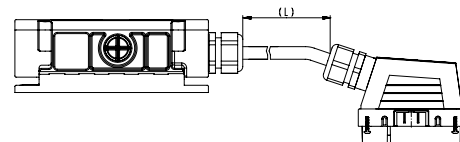
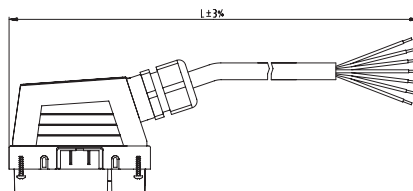
Description	Type	Part No.	Std. Pack	Type	Part No.	Std. Pack
podis CON male connector, 7 pole 16 A with cable gland for round cables 9 – 16 mm	FCS 2,5 7 ST SA	75.015.0051.0	5			
podis CON male connector, 7 pole 16 A without cable gland	FCS 2,5 7 ST SA	75.015.0051.2	5			
Expansion connector with podis CON connector insert 16 A				FCS 2,5 7 ST SA SU	75.015.1053.1	5
Technical data						
Rated current (up to 50 °C ambient temperature)	16 A			16 A		
Rated cross section	2.5 mm ²			2.5 mm ²		
Connection type	Screw terminals			Screw terminals		
Wire size AWG	16 – 14			16 – 14		
Wire range						
– stranded and fine-stranded	1.5 – 2.5 mm ²			1.5 – 2.5 mm ²		
– solid	1.5 – 4 mm ²			1.5 – 4 mm ²		
Insulation strip length	10 mm			10 mm		
Rated voltage						
Primary circuit (L1, L2, L3, N, PE)	277/480 V/4 kV/3 (VDE), 600 V (UL, CSA)			277/480 V/4 kV/3 (VDE), 600 V (UL, CSA)		
Secondary circuit (5; 6)	50 V/0.8 kV/3 (VDE), 125 V (UL), 150 V (CSA)			50 V/0.8 kV/3 (VDE), 125 V (UL), 150 V (CSA)		
General data						
Dimensions L x W x H	93.5 x 56.4 x 78.4 mm			113 x 56.4 x 37.5 mm		
Temperature range						
– Ambient operating temperature	-15 °C – +50 °C			-15 °C – +50 °C		
– Installation/connection	-15 °C – +50 °C			-15 °C – +50 °C		
Overvoltage category	III			III		
Degree of protection	IP65 (when locked)			IP65 (when locked)		
Accessories						
Cable gland M 25 x 1.5 black, for round cables with						
– cable Ø 9 – 16 mm		Z5.507.1453.1	10			
– cable Ø 13 – 18 mm		Z5.507.1553.1	10			
Lock nut M25 x 1.5 black		05.505.0253.1	10			

Connection cables

podis®

With the **podis**CON male connector, field devices can be connected to the power bus by plugging them in.

Pre-assembled cables are available in various designs.



**Connection cable 7 x 2.5 mm²
Male connector – Free end**
with ultrasonically welded wire ends

**Connection cable 7 x 2.5 mm²
Male connector –
Connection module**

Sheath strip length: 130 mm
Insulation strip length: 7 mm

Description	Type	Part No.	Std. Pack	Type	Part No.	Std. Pack	
Ölflex Classic 110 gray, 7 x 2.5 mm ²	1.0 m	FCS 2,5 7 STSA_-10	83.301.1020.1	10	FCS 2,5 7 STSA_SIFK 10	83.302.1025.1	10
	2.0 m	FCS 2,5 7 STSA_-20	83.301.2020.1	10	FCS 2,5 7 STSA_SIFK 20	83.302.2025.1	10
	3.0 m	FCS 2,5 7 STSA_-30	83.301.3020.1	1	FCS 2,5 7 STSA_SIFK 30	83.302.3025.1	5
	4.0 m	FCS 2,5 7 STSA_-40	83.301.4020.1	1	FCS 2,5 7 STSA_SIFK 40	83.302.4025.1	5
	5.0 m	FCS 2,5 7 STSA_-50	83.301.5020.1	5	FCS 2,5 7 STSA_SIFK 50	83.302.5025.1	5
	6.0 m	FCS 2,5 7 STSA_-60	83.301.6020.1	1	FCS 2,5 7 STSA_SIFK 60	83.302.6025.1	5
	7.0 m	FCS 2,5 7 STSA_-70	83.301.7020.1	1	FCS 2,5 7 STSA_SIFK 70	83.302.7025.1	3
	8.0 m	FCS 2,5 7 STSA_-80	83.301.8020.1	1	FCS 2,5 7 STSA_SIFK 80	83.302.8025.1	3
	9.0 m	FCS 2,5 7 STSA_-90	83.301.9020.1	1	FCS 2,5 7 STSA_SIFK 90	83.302.9025.1	3
		Other versions available on request			Other versions available on request		

System components and accessories

podis

The power bus is terminated with the cable end caps.

After the connection components have been removed, the termination points are sealed with a sealing sleeve.

Picture	Description	Type	Part No.	Std. Pack
	Cable end cap Protection degree IP65	Cable end cap IP65	Z5.562.7553.1	10
	Fastening clips for flat cable wall mount	Fastening clip	05.562.3000.0	100
	Flat cable bushing with strain relief Protection degree IP65	Bushing	Z5.563.6553.1	10
	Cover for unused flat cable bushing	Gasket	05.563.7983.0	5
	Sealing sleeve for sealing the termination points Protection degree IP65	Sealing sleeve	Z1.005.6553.1	1
	Cutter for cutting the power bus cables to length	Cutter	95.300.0300.0	1
	Tool for stripping the sheath of the PVC flat cable	Sheath stripping tool	95.350.0300.0	1
	Knife for stripping the sheath of the EVA flat cable	Sheath stripping knife	95.350.0700.0	1
	Spare blade for sheath stripping knife	Spare blades	05.564.5400.0	1
	Screwdriver bit Phillips size 1, shank length 45 mm for connecting the connection modules and pluggable outlets	Screwdriver bit PH1	06.502.5200.0	10
	Screwdriver PH1 for connecting the connection modules and pluggable outlets	Screwdriver PH1	06.502.5100.0	5
	Screwdriver according to DIN 5264 0.6x3.5 for opening the clamping body of the spring clamp termination points inside the connection modules	Screwdriver	06.502.5000.0	10

System components and accessories


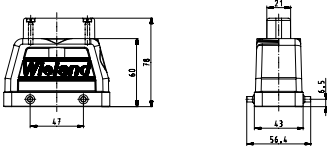

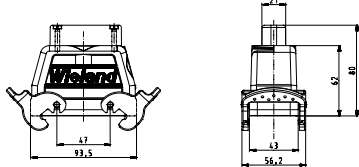
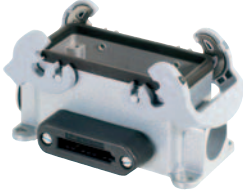
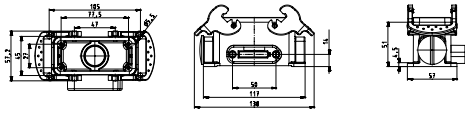

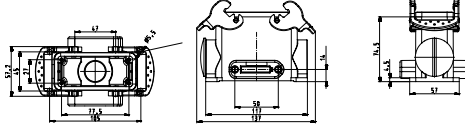


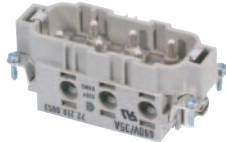

podis®

Picture	Description	Type	Part No.	Std. Pack
	Cover plate size 10, gray, slotted for podis CON bushing	Cover plate DF	Z5.563.7553.0	10
	Protection degree IP65 with podis CON flat cable bushing			
	Cover plate size 10, gray, unslotted	Cover plate	07.416.6953.0	10
	Protection degree IP65			
	Protective cover for pluggable flat cable outlet or revos POWER connector; size 16	Protective cover	07.409.7256.0	10
	Protection degree IP65			
	Cable gland M25 x 1.5, black, for round cables	Ø 9 – 16 mm	Z5.507.1453.1	10
	Protection degree IP68			
	Cable gland M25 x 1.5, black, for round cables	Ø 13 – 18 mm	Z5.507.1553.1	10
	Protection degree IP68			
	Cable gland M20 x 1.5, black	Ø 7 – 13 mm	Z5.507.1353.1	10
	Protection degree IP68			
	Cable gland M20 x 1.5, black	for AS-i profile cable	Z5.505.0653.1	10
	Protection degree IP68			
	Lock nut M25	M25 x 1.5, black	05.505.0253.1	10
	Lock nut M20	M20 x 1.5, black	05.505.0153.1	10

System components and accessories

podis

The **revos** connectors with bushings for the 7 pole **podis**CON flat cable connect two power bus segments or serve as the transition between a round and a flat cable. Through the **revos**POWER inserts, the full rated current of the power bus cables can be transmitted.

Picture	Description	Type	Part No.	Std. Pack
	Hood size 16; for double locking levers with flat cable bushing podis CON; protection degree IP65 	BAS GOT16 FCS ZH	75.900.1628.0	1
	Hood size 16; with double locking levers and flat cable bushing podis CON; protection degree IP65 	BAS GOT16 FCS ZH V	75.900.1528.0	1
	Closed-bottom housing, size 16; with double locking levers and flat cable bushing podis CON; one side; protection degree IP65 	BAS GUT16 FCS ZH V	75.900.1028.0	1
	Closed-bottom housing, size 16; with double locking levers and flat cable bushing podis CON; two sides; protection degree IP65 	BAS GUT16 2FCS ZH V	75.900.1128.0	1
	Female insert	POW BUS 6 6,0 69 AG	70.200.0653.0	10
	Technical data			
	Approvals			
	Number of poles	6+PE		
	Rated current	35 A		
	Rated voltage	690 V (VDE), 600 V (UL, CSA)		
	Pollution degree	3		
Connection type	Screw terminals			
Wire range	2.5 – 6 mm ²			
Insulation strip length	12 mm			
Temperature range	-40 – 110 °C			
	Connector insert	POW STS 6 6,0 69 AG	70.210.0653.0	10
	Technical data			
	Approvals			
	Number of poles	6+PE		
	Rated current	35 A		
	Rated voltage	690 V (VDE), 600 V (UL, CSA)		
	Pollution degree	3		
Connection type	Screw terminals			
Wire range	2.5 – 6 mm ²			
Insulation strip length	12 mm			
Temperature range	-40 – 110 °C			

System components and accessories

podis

With the **podis**PLAN planning software you can conveniently determine the optimal power bus configuration. The values are calculated in the background during input. Overload and errors are highlighted in color in the graphical output.

A sample kit with **podis**CON components is available. It includes all basic components of the **podis**CON system.



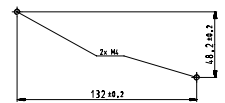
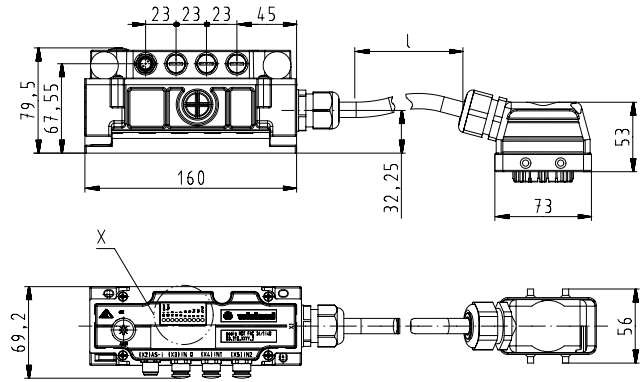
podisPLAN planning software

podisCON sample kit

Description	Type	Part No.	Std. Pack	Type	Part No.	Std. Pack
podis CON sample kit				podis sample kit	95.400.0200.0	1
podis PLAN planning software for the podis power bus	podis PLAN V5	95.502.1010.0	1			
Contents of the sample kit				Flat cable 7 x 2.5 mm ² ; 7 x 4 mm ²		
				Connection module 2 to 7 pole		
				Pluggable cable outlet		
				Cable end cap (bus termination)		
				Cable bushing		
				Cable cutter		
				Sheath stripping tools		
				Sealing sleeve		
podis PLAN planning software						
General	Project management through the project explorer					
	Print function of the graphical and tabular outputs					
Input						
Supply parameters	Supply position					
	Supply short-circuit current					
	Supply voltage					
	Length and cross section of the supply cables					
	Supply type: End, middle or double supply					
	Selection and setting of the protection devices					
Installation parameters	Ambient temperature					
	Layout type					
	Number of loaded cables					
	Total power bus length					
Load parameters	Connection position on the power bus					
	Power consumption or load current					
	cos phi					
	Permissible voltage drop					
	Simultaneity factor					
Output						
Static load values	Total power and total current (AC und DC)					
	Short-circuit current (AC and DC)					
	Voltage drop on each branch					
	Current carrying capability and thermal load					
	Total length and segment lengths					
	Meterization lengths					

AS-i interface for remote installation

podis®



AS-i interface *podis*^{MOT} FA C 3I/1140

Approvals:

Ordering data

AS-i control with power supply for drives with integrated frequency converter or starter and binary interface, pre-assembled with cable **Ölflex Classic** 11 x 1.5 mm² and **revos**^{BASIC}

Description	Type	Part No.	Std. Pack
<i>podis</i> ^{MOT}	FA C 3I/1140 0.5 m	83.210.0501.2	1
<i>podis</i> ^{MOT}	FA C 3I/1140 1.0 m	83.210.1001.2	1
<i>podis</i> ^{MOT}	FA C 3I/1140 1.5 m	83.210.1501.2	1
<i>podis</i> ^{MOT}	FA C 3I/1140 2.0 m	83.210.2001.2	1
<i>podis</i> ^{MOT}	FA C 3I/1140 2.5 m	83.210.2501.2	1
<i>podis</i> ^{MOT}	FA C 3I/1140 3.0 m	83.210.3001.2	1

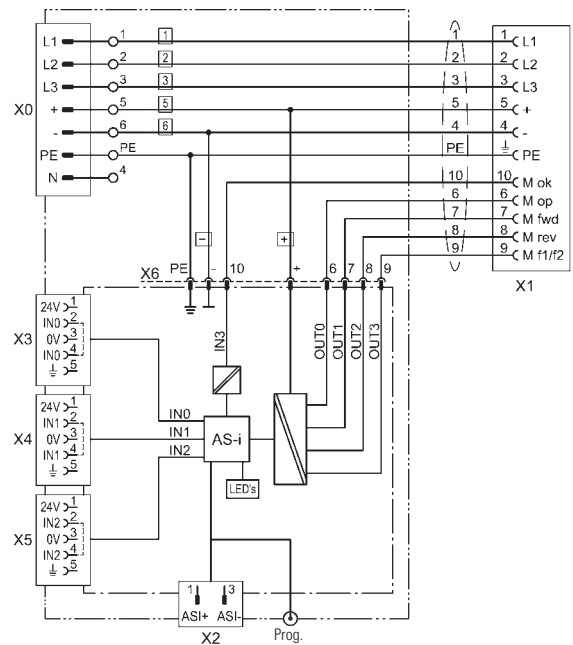
Other cable lengths and designs such as with switch disconnecter available on request



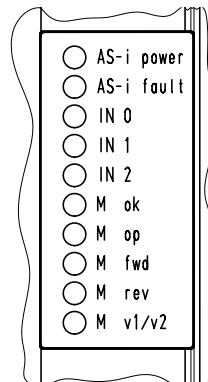
Accessories / spare parts

Description	Type	Part No.	Std. Pack
Electronic module	MOT A C 3I/1140	83.209.2106.2	5
Spare cable	Motor connection cable	available on request	1
AS-i adapter	AS-i adapter M12	83.209.2201.0	5
AS-i tap line	AS-i tap line 0.3 m	83.209.2203.0	5
AS-i handheld	AS-i PPG 1	83.209.2204.0	1
Programming cable	AS-i 1.5 m	83.209.2205.0	1

Wiring diagram / connection



Displays / operating components



Color	Name	Meaning	I/O bit
green	AS-i power	AS-Interface Power	
red	AS-i fault	AS-Interface fault	
yellow	IN0	Input M12	IN0
yellow	IN1	Input M12	IN1
yellow	IN2	Input M12	IN2
yellow	M ok	Motor ready	IN3
yellow	M op	Motor electronics ON	OUT0
yellow	M fwd	Motor clockw. rot	OUT1
yellow	M rev	Motor countercl. rot	OUT2
yellow	M f1/f2	Setpoint switch-over f1/f2	OUT3

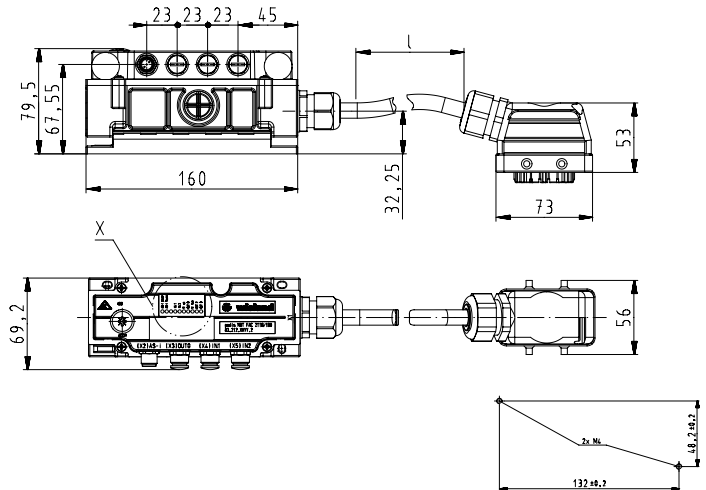
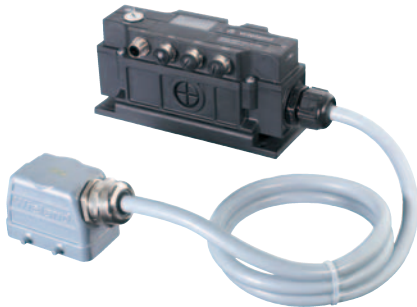
AS-i interface for remote installation

podis

Function	Technical data																															
<p>The podis_{MOT} FA C 3I/114O is an AS-i actuator module on the podis power bus used for control and power supply of remote drives with binary interfaces. Through pre-assembled cables, the drives are connected to easy to service revos_{BASIC} connectors at the power bus. On the three free inputs, 2-wire as well as 3-wire sensors can be connected through pre-assembled M12 connection cables. The sensors are directly supplied by the module.</p> <p>For pre-addressing purposes, the module can be connected with the AS-i programming cable (83.209.2205.0) directly to the AS-i handheld programming device (83.209.2204.0)</p> <p>An LED is available in the module cover for each channel that indicates the current switching state and the status of the inputs.</p> <p>The AS-i transmission cable is connected through an M12 connector. If the AS-i flat cable is to be used, the AS-i tap line as well as the AS-i adapter must also be used. Contact to the power bus is made through insulation-piercing termination.</p> <p>Features</p> <ul style="list-style-type: none"> AS-Interface certificate Protection degree IP65 Electronic cover, easy to service and pluggable Function display for bus, ext. auxiliary power, inputs and outputs Connection through insulation-piercing termination on the power bus Addressing terminal Three inputs for 2-wire and 3-wire sensors through M12 Easy to service pluggable connection of remote drives 	<p>General data</p> <p>Slave type AS-Interface specification Number of addressable slaves Addressing option</p> <p>Displays/operation elements</p> <p>LED AS-i power LED AS-i fault LED IN0, IN1, IN2 LED 6 to 10</p> <p>Electrical data</p> <p>Rated operating voltage U_N Rated operating current I_N Rated operating voltage U_e Rated operating current I_e</p> <p>Input</p> <p>Digital inputs (supply through AS-Interface) Digital input (supply from 24 V ext. power bus) Supply current Input current Signal level U_{HIGH} / U_{LOW} Signal delay</p> <p>Output (control signals)</p> <p>Digital outputs Supply Output current Signal delay</p> <p>Output (load circuit)</p> <p>Rated output voltage Rated operating current</p> <p>Ambient conditions</p> <p>– Ambient temperature – Storage temperature / transport</p> <p>Mechanical data</p> <p>Degree of protection Protection class Connection (power bus) Connection (drive) Connection of AS-i and sensors Weight: Dimensions L x W x H Fixation Installation position</p> <p>Programming instructions</p> <p>Data bit (function through AS-Interface)</p> <p>D0 D1 D2 D3</p> <p>Parameter bit (programmable through AS-i)</p> <p>P0 P1 P2 P3</p>	<p>Standard slave V2.11, single slave, ID 7FFE, 4E/4A 31 DC fem. connect. 1.3 mm</p> <p>AS-i voltage okay; LED green Fault in the AS-Interface; LED red Inputs IN0; IN1; IN2 through M12; LED yellow Status indication for the drive; LED yellow</p> <p>230/400 V AC 16 A 24 V DC +- 20% (19.2 V – 28.8 V) max. 200 mA from AS-Interface</p> <p>3 inputs for 2-wire or 3-wire sensors DC through M12 1 input as motor feedback through motor cable max. 50 mA per initiator typ. 5 mA +15 V – +31.5 V / -3 V – +5 V typ. 1 ms</p> <p>through pre-assembled motor cable 4 electronic outputs, PNP overload and short-circuit proof 24 V ext. from power bus max. 500 mA per output typ. 1 ms</p> <p>through pre-assembled motor cable 400 V AC 16 A</p> <p>0 °C – +40 °C -25 °C – +60 °C / -25 °C – +70 °C</p> <p>IP65 according to EN 60529 class 1 according to IEC536 Insulation-piercing termination Pluggable through revos_{BASIC} M12 x 1 round connector 1060 g 162.0 x 70.5 x 80.0 mm (without cable gland) Mounting plate any; preferably horizontal wall mount</p> <p>See the podis manual</p> <table border="1"> <thead> <tr> <th>Data bit</th> <th>Input</th> <th>Output</th> </tr> </thead> <tbody> <tr> <td>D0</td> <td>IN0</td> <td>OUT0</td> </tr> <tr> <td>D1</td> <td>IN1</td> <td>OUT1</td> </tr> <tr> <td>D2</td> <td>IN2</td> <td>OUT2</td> </tr> <tr> <td>D3</td> <td>IN3</td> <td>OUT3</td> </tr> </tbody> </table> <table border="1"> <thead> <tr> <th>Parameter bit</th> <th>Input</th> <th>Output</th> </tr> </thead> <tbody> <tr> <td>P0</td> <td>not used</td> <td></td> </tr> <tr> <td>P1</td> <td>not used</td> <td></td> </tr> <tr> <td>P2</td> <td>not used</td> <td></td> </tr> <tr> <td>P3</td> <td>not used</td> <td></td> </tr> </tbody> </table>	Data bit	Input	Output	D0	IN0	OUT0	D1	IN1	OUT1	D2	IN2	OUT2	D3	IN3	OUT3	Parameter bit	Input	Output	P0	not used		P1	not used		P2	not used		P3	not used	
	Data bit	Input	Output																													
	D0	IN0	OUT0																													
	D1	IN1	OUT1																													
	D2	IN2	OUT2																													
	D3	IN3	OUT3																													
	Parameter bit	Input	Output																													
	P0	not used																														
	P1	not used																														
	P2	not used																														
	P3	not used																														

AS-i interface for remote installation

podis®



AS-i interface podis^{MOT} FA C 2110 / 1130

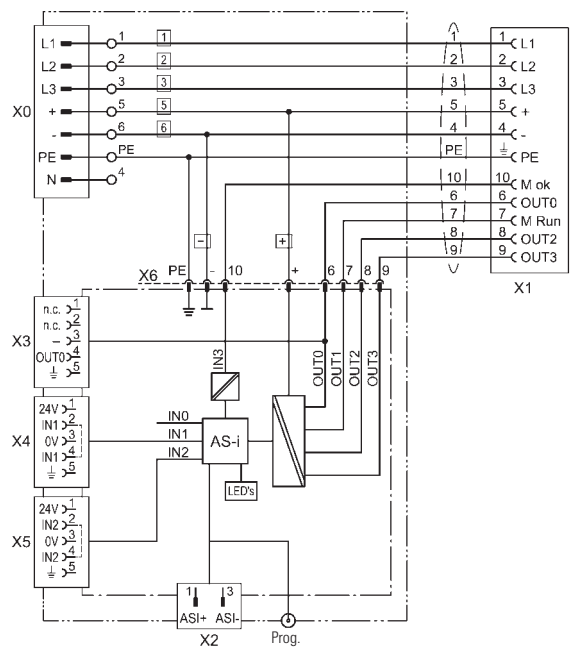
Approvals:

Ordering data

AS-i control with power supply for drives with integrated switching and protection function and binary interface, pre-assembled with cable **Ölflex Classic** 11 x 1.5 mm² and **revos**BASIC.

Description	Type	Part No.	Std. Pack
podis ^{MOT}	FA C 2110/1130 0.5 m	83.212.0501.2	1
podis ^{MOT}	FA C 2110/1130 1.0 m	83.212.1001.2	1
podis ^{MOT}	FA C 2110/1130 1.5 m	83.212.1501.2	1
podis ^{MOT}	FA C 2110/1130 2.0 m	83.212.2001.2	1
podis ^{MOT}	FA C 2110/1130 2.5 m	83.212.2501.2	1
podis ^{MOT}	FA C 2110/1130 3.0 m	83.212.3001.2	1

Wiring diagram / connection



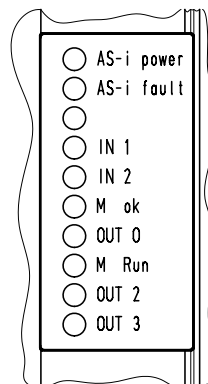
Other cable lengths and designs such as with switch disconnecter available on request



Accessories / spare parts

Description	Type	Part No.	Std. Pack
Electronic module	MOT A C 2110/1130	83.209.2120.2	5
Spare cable	Motor connection cable	available on request	
AS-i adapter	AS-i adapter M12	83.209.2201.0	5
AS-i tap line	AS-i tap line 0.3 m	83.209.2203.0	5
AS-i handheld	AS-i PPG 1	83.209.2204.0	1
Programming cable	AS-i 1.5 m	83.209.2205.0	1

Displays / operating components



Color	Name	Meaning	I/O bit
green	AS-Interface Power	AS-Interface power okay	E1
red	AS-Interface fault	Fault in the AS-Interface	E2
yellow	IN1	Input M12	E3
yellow	IN2	Input M12	A0
yellow	M ok	Motor ready	A1
yellow	OUT0	Output M12	A2
yellow	M Run	Motor clockw.dir.	A3
yellow	OUT2		
yellow	OUT3		

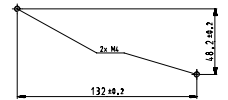
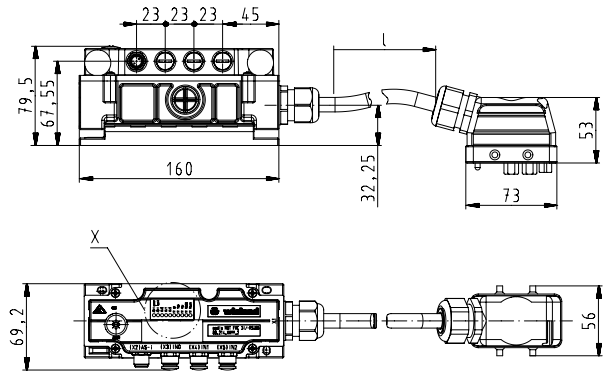
AS-i interface for remote installation

podis

Funktion	Technical data		
<p>The podis_{MOT} FA C 2110/1130 is a AS-i sensor/actuator module on the podis power bus used for control and power supply of remote drives with switching and protection function and binary interface. Through pre-assembled cables, the drives are connected to easy to service revos_{BASIC} connectors at the power bus. On the three free inputs, 2-wire as well as 3-wire sensors can be connected through pre-assembled M12 connection cables. The sensors are directly supplied by the module. The output through M12 is an electronic output that can be loaded with max. 24 V DC and 0.5 A. This output A0 is available on the M12, but also on PIN 6 of the connector interface.</p> <p>For pre-addressing purposes, the module can be connected with the AS-i programming cable (83.209.2205.0) directly to the AS-i handheld programming device (83.209.2204.0).</p> <p>An LED is available in the module cover for each channel that indicates the current switching state and the status of the inputs.</p> <p>The AS-i transmission cable is connected through an M12 connector. If the AS-i flat cable is to be used, the AS-i tap line as well as the AS-i adapter must be used also. Contact to the power bus is made through insulation-piercing termination.</p>	General data		
	Slave type	Standard slave	
	AS-Interface specification	V2.11, single slave, ID 7FFE, 4E/4A	
	Number of addressable slaves	31	
	Addressing option	DC fem. connect.1.3 mm	
	Displays/operation elements		
	LED AS-i power	AS-i Svoltage okay; LED green	
	LED AS-i fault	Fault in the AS-Interface; LED red	
	LED IN1, IN2	Inputs E1; E2 through M12; LED yellow	
	LED 6 to 10	Status indication for the drive; outputs; LED yellow	
	Electrical data		
	Rated operating voltage U_N	230/400 V AC	
	Rated operating current I_N	16 A	
	Rated operating voltage U_e	24 V DC +- 20 % (19.2 V – 28.8 V)	
	Rated operating current I_e	max. 200 mA from AS-Interface	
	Input		
	Digital inputs (supplied through AS-Interface)	2 inputs for 2-wire or 3-wire sensors DC through M12	
	Digital input (supplied by 24 V ext. power bus)	1 input as motor feedback through motor cable	
	Supply current	max. 50 mA per initiator	
	Input current	typ. 5 mA	
	Signal level U_{HIGH} / U_{LOW}	+15 V – +31.5 V / -3 V – +5 V	
	Signal delay	typ. 1 ms	
	Output (control signals)		
	Digital output on M12	1 electronic output, PNP overload and short-circuit proof	
	Digital outputs (through pre-assembled motor cable)	3 electronic outputs, PNP overload and short-circuit proof	
	Supply	24 V ext. from power bus	
	Output current	max. 500 mA per output	
	Signal delay	typ. 1 ms	
	Output (load circuit)		
	Rated output voltage	400 V AC	
Rated operating current	16 A		
Ambient conditions			
– Ambient temperature	0 °C – +40 °C		
– Storage temperature / transport	-25 °C – +60 °C / -25 °C – +70 °C		
Mechanical data			
Degree of protection	IP65 according to EN 60529		
Protection class	class 1 according to IEC536		
Protection category	3		
Features			
<ul style="list-style-type: none"> AS-Interface certificate Protection degree IP65 Electronic cover, easy to service and pluggable Function display for bus, ext. auxiliary power, inputs and outputs Connection through insulation-piercing termination on the power bus Addressing terminal Two inputs for 2-wire and 3-wire sensors through M12 (supplied by AS-Interface) Outputs supplied through the flat cable Easy to service pluggable connection of remote drives 	Connection (power bus)	Insulation-piercing termination	
	Connection (drive)	Pluggable through revos _{BASIC}	
	Connection of AS-i and sensors	M12 x 1 round connector	
	Weight	1060 g	
	Dimensions L x W x H	162.0 x 70.5 x 80.0 mm (without cable gland)	
	Mounting	Mounting plate	
	Installation position	any; preferably horizontal wall mount	
	Programming instructions		See the podis manual
	Data bit (function through AS-Interface)	Input	Output
	D0	IN0	OUT0
D1	IN1	OUT1	
D2	IN2	OUT2	
D3	IN3	OUT3	
Parameter bit (programmable through AS-i)	Input	Output	
P0	not used		
P1	not used		
P2	not used		
P3	not used		

AS-i interface for remote installation

podis®



AS-i interface **podis** MOT FA C 3I/RS485 (MOVIMOT®)

Ordering data

AS-i control with power supply for MOVIMOT® from SEW-EURODRIVE according to the MOVILINK® protocol, pre-assembled with hybrid cable 4x2.5 + 2x2x1.0(C) sw and AMA 6 connector interface (SEW)

Description	Type	Part No.	Std. Pack
podis MOT	FA C 3I/RS485 (MOVIMOT®) 0.5 m	83.214.0506.2	1
podis MOT	FA C 3I/RS485 (MOVIMOT®) 1.0 m	83.214.1006.2	1
podis MOT	FA C 3I/RS485 (MOVIMOT®) 1.5 m	83.214.1506.2	1
podis MOT	FA C 3I/RS485 (MOVIMOT®) 2.0 m	83.214.2006.2	1
podis MOT	FA C 3I/RS485 (MOVIMOT®) 2.5 m	83.214.2506.2	1
podis MOT	FA C 3I/RS485 (MOVIMOT®) 3.0 m	83.214.3006.2	1

AS-i control with power supply for MOVIMOT® from SEW-EURODRIVE according to the MOVILINK® protocol, pre-assembled with hybrid cable 4x2.5 + 2x2x1.0(C) sw and **revos**FLEX

Description	Type	Part No.	Std. Pack
podis MOT	FA C 3I/RS485 (MOVIMOT®) 0.5 m	83.214.0507.2	1
podis MOT	FA C 3I/RS485 (MOVIMOT®) 1.0 m	83.214.1007.2	1
podis MOT	FA C 3I/RS485 (MOVIMOT®) 1.5 m	83.214.1507.2	1
podis MOT	FA C 3I/RS485 (MOVIMOT®) 2.0 m	83.214.2007.2	1
podis MOT	FA C 3I/RS485 (MOVIMOT®) 2.5 m	83.214.2507.2	1
podis MOT	FA C 3I/RS485 (MOVIMOT®) 3.0 m	83.214.3007.2	1

Other cable lengths and designs such as with switch disconnecter available on request

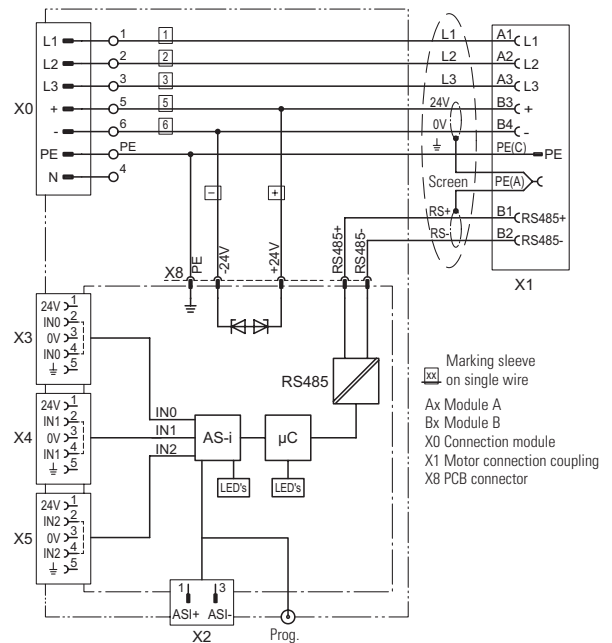


Accessories / spare parts

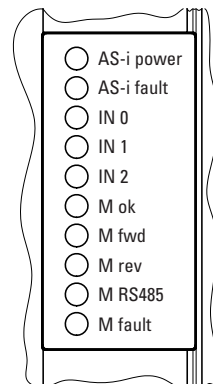
Description	Type	Part No.	Std. Pack
Electronic module	MOT A C 3I/RS485 (MOVIMOT®)	83.209.2102.2	5
Spare cable	Motor connection cable	available on request	1
AS-i adapter	AS-i adapter M12	83.209.2201.0	5
AS-i tap line	AS-i tap line. 0.3 m	83.209.2203.0	5
AS-i handheld	AS-i PPG 1	83.209.2204.0	1
Programming cable	AS-i 1.5 m	83.209.2205.0	1

Wiring diagram / connection

Connector assignment X1 valid for 83.214.XX06.2



Displays / operating components



Color	Meaning	I/O bit
yellow	AS-Interface Power	
green	AS-Interface Power okay	
red	AS-Interface fault	
yellow	AS-Interface fault	
yellow	IN0	IN0
yellow	IN1	IN1
yellow	IN2	IN2
yellow	Input M12	
yellow	Input M12	
yellow	Motor ready	
yellow	M ok	
yellow	Motor clockw. rot.	
yellow	M fwd	
yellow	Motor countercl. rot.	
yellow	M rev	
yellow	RS 485	
red	M fault	
red	Motor fault	

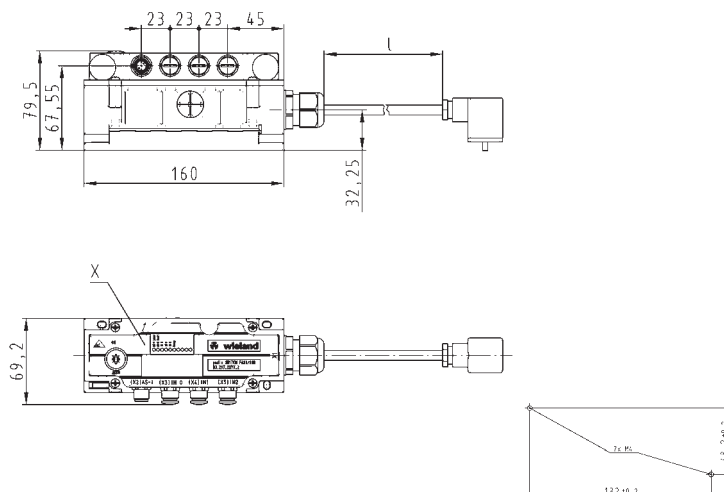
AS-i interface for remote installation

podis

Funktion	Technical data		
<p>The remote field interface podis MOT FA C with RS485 interface (MOVILINK® protocol) is an AS-i actuator/sensor module on the podis power bus for control and power supply of SEW MOVIMOT® three-phase motors with integrated frequency converter and serial communication (RS485). The drive is controlled by cyclical operation with a 4-bit input/output process image. It is possible to select 6 fixed setpoints and 3 ramps and to change their values. Through the pre-assembled hybrid cable and revos connectors, the interface module is plugged in directly on the drive making it very easy to service. On the three free inputs, 2-wire as well as 3-wire sensors can be connected through pre-assembled M12 connection cables. The sensors are directly supplied by the module.</p> <p>For pre-addressing purposes, the module can be connected with the AS-i programming cable (83.209.2205.0) directly to the AS-i handheld programming device (83.209.2204.0).</p> <p>An LED is available in the module cover for each channel that indicates the current switching state and the status of the inputs.</p> <p>The AS-i transmission cable is connected through an M12 connector. If the AS-i flat cable is to be used, the AS-i tap line as well as the AS-i adapter must be used also. Contact to the power bus is made through insulation-piercing termination.</p> <p>Additional information can be found in the podis manual.</p>	General data		
	Slave type	Standard slave	
	AS-Interface specification	V2.11, single slave, ID 74F0, S-7.4	
	Number of addressable slaves	31	
	Addressing option	DC fem. connect. 1.3 mm	
	Displays/operation elements		
	LED AS-i power	AS-i voltage okay; LED green	
	LED AS-i fault	Fault in the AS-Interface; LED red	
	LED IN1, IN2, IN3	Inputs IN1; IN2, IN3 through M12; LED yellow	
	LED 6 to 9	Status indication for the drive; interface; LED yellow	
	LED 10	M Fault; LED red	
	Electrical data		
	Rated operating voltage U_N	230/400 V AC	
	Rated operating current I_N	16 A	
	Rated operating voltage U_e	24 V DC +/- 20 % (19.2 V – 28.8 V)	
	Rated operating current I_e	max. 280 mA from AS-Interface	
	Input		
	Digital inputs (supplied through the AS-Interface)	3 inputs for 2-wire or 3-wire sensors DC through M12	
	Supply current	max. 50 mA per initiator	
	Input current	typ. 5 mA	
	Signal level U_{HIGH} / U_{LOW}	+15 V – +31.5 V / -3 V – +5 V	
	Signal delay	Scanning time approx. 5 ms	
	Output (control signals)		
	Serial interface	through pre-assembled hybrid cable RS485 (MOVILINK® protocol from SEW)	
	Output (load circuit)		
	Rated output voltage	through pre-assembled hybrid cable 400 V AC	
	Rated operating current	16 A	
	Ambient conditions		
	– Ambient temperature	0 °C – +40 °C	
	– Storage temperature / transport	-25 °C – +60 °C / -25 °C – +70 °C	
Mechanical data			
Degree of protection	IP65 according to EN 60529		
Protection class	class 1 according to IEC536		
Protection category	3		
Connection (power bus)	Insulation-piercing termination		
Connection (drive)	pluggable (corresponding to the drive interface)		
Connection of AS-i and sensors	M12 x 1 round connector		
Weight:	1060 g		
Dimensions L x W x H	162.0 x 70.5 x 80.0 mm (without cable gland)		
Features			
<ul style="list-style-type: none"> Protection degree IP65 Electronic cover, easy to service and pluggable Function display for bus, ext. auxiliary voltage, drive status indication, input status Connection through insulation-piercing termination on the power bus Addressing terminal Three inputs for 2-wire and 3-wire sensors through M12 (supplied by AS-Interface) Easy to service pluggable connection of the SEW MOVIMOT® through a pre-assembled hybrid cable and a defined connector interface (to be considered when ordering the drive!) 	Fixation	Mounting plate	
	Installation position	any; preferably horizontal wall mount	
Programming instructions		See the podis manual	
Data bit (function through AS-Interface)	Input	Output	
D0	IN0	OUT0	
D1	IN1	OUT1	
D2	IN2	OUT2	
D3	IN3	OUT3	
Parameter bit (programmable through AS-i)		See the podis manual Profile S-7.4	

AS-i interface for remote installation

podis®



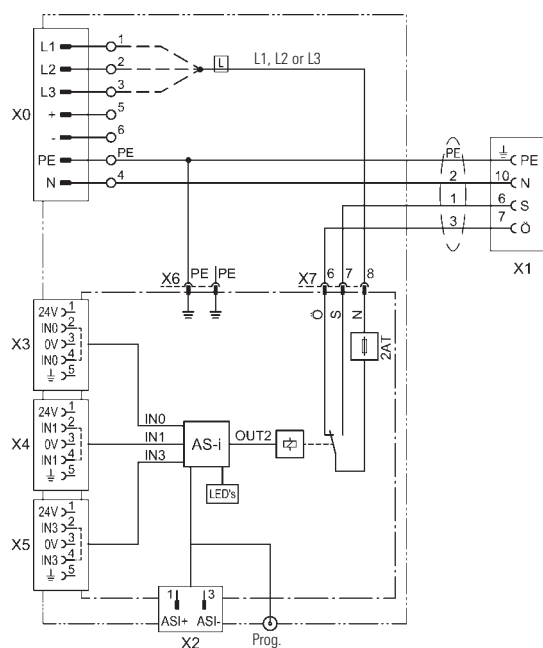
AS-i control podis SWITCH FA C 3I/1OR

Ordering data

AS-i control for switched single-phase field devices with relay output up to 2 A; pre-assembled with cable **Ölflex** 4G1.5 mm² and valve connector, 3 pole + ground

Description	Type	Part No.	Std. Pack
podis SWITCH	FA C 3I/1OR 0.5 m	83.217.0509.2	1
podis SWITCH	FA C 3I/1OR 1.0 m	83.217.1009.2	1
podis SWITCH	FA C 3I/1OR 1.5 m	83.217.1509.2	1
podis SWITCH	FA C 3I/1OR 2.0 m	83.217.2009.2	1
podis SWITCH	FA C 3I/1OR 2.5 m	83.217.2509.2	1
podis SWITCH	FA C 3I/1OR 3.0 m	83.217.3009.2	1

Wiring diagram / connection

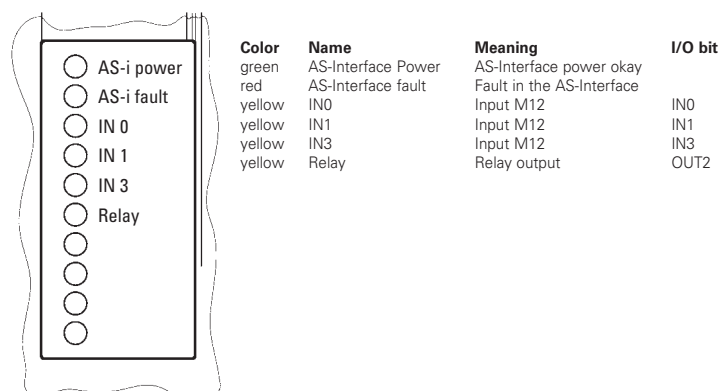


Other designs and cable lengths available on request

Accessories / spare parts

Description	Type	Part No.	Std. Pack
Electronic module	A C 3I/1OR	83.209.2104.2	5
AS-i adapter	AS-i adapter M12	83.209.2201.0	5
AS-i tap line	AS-i tap line 0.3 m	83.209.2203.0	5
AS-i handheld	AS-i PPG 1	83.209.2204.0	1
Programming cable	AS-i 1.5 m	83.209.2205.0	1

Displays / operating components



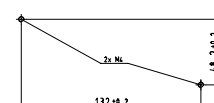
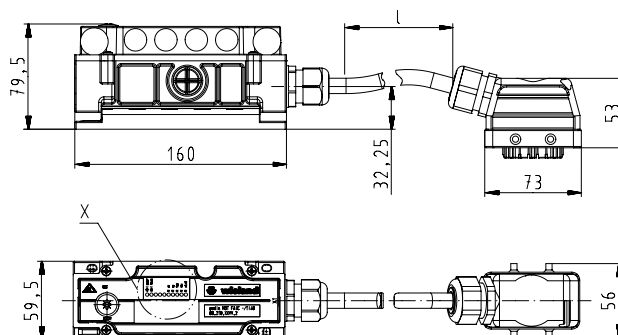
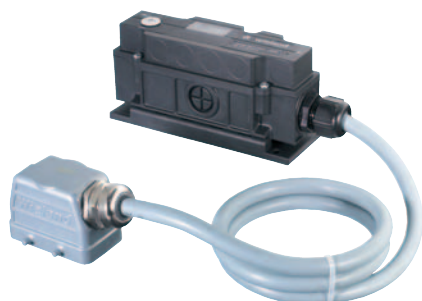
AS-i interface for remote installation

podis

Function	Technical data	
<p>The podis SWITCH FA C 3I/1OR is an AS-i actuator module on the podis power bus with a relay output used for the control of single-phase loads. Through a pre-assembled connection cable with molded connector, the interface module is connected to the field device making it very easy to service. Field devices can be switched through the relay output up to a switching capacity of 300 VA, max. 2 A (AC15).</p> <p>For pre-addressing purposes, the module can be connected with the AS-i programming cable (83.209.2205.0) directly to the AS-i handheld programming device (83.209.2204.0).</p> <p>An LED is available for each channel that is visible at the module top and indicates the status of the connected inputs as well as the relay output.</p> <p>The connection module is used to supply the AS-I actuator modules, but also for power supply to the field devices. The relay output is not applied in the connection module at delivery.</p> <p>The AS-i transmission cable is connected through an M12 connector. If the AS-i flat cable is to be used, the AS-i tap line as well as the AS-i adapter must be used also. Contact to the power bus is made through insulation-piercing termination.</p> <p>Additional information can be found in the podis manual.</p>	General data	
	Slave type	A/B slave
	AS-Interface specification	V2.11, ID 6A7E, 3E/1A
	Number of addressable slaves	62
	Addressing option	DC fem. connect. 1.3 mm
	Displays/operating components	
	LED AS-i power	AS-i voltage okay; LED green
	LED AS-i fault	Fault in the AS-Interface; LED red
	LED IN0; IN1; IN2	Inputs IN0; IN1; IN3 through M12; LED yellow
	LED Relay	Status indicators for relay output OUT2 through pre-assembled cable; LED yellow
	Electrical data	
	Rated operating voltage U_N	230 V AC
	Network frequency, input f_N	50 Hz +/- 10 % (45 Hz – 55 Hz)
	Min. AS-i voltage U_{AS-i}	min. 26.5 V
	Rated operating current I_e	max. 250 mA from AS-Interface
	Input	
	Digital inputs	3 inputs IN0; IN1; IN3 through M12 (supplied by AS-Interface)
	Input current	typ. 5 mA
	Supply current	max. 50 mA per initiator
	Signal level U_{HIGH}/U_{LOW}	+15 V – +31.5 V / -3 V – +5 V
	Signal delay	typ. 1 ms
	Output	
	Relay output	through pre-assembled consumer cable
	Protection	1 relay output through pre-assembled cable
	Supply	Fuse 5 x 20; 2 A (slow blow); inside the electronics cover
Output current	230 V AC from the power bus	
Switching capacity AC15/AC1 (230 V AC)	max. 2 A per relay	
Signal delay	300 VA / 1500 VA	
Simultaneity	approx. 10 ms	
	100 %	
Ambient conditions		
– Ambient temperature	0 °C – +40 °C	
– Storage temperature / transport	-25 °C – +60 °C / -25 °C – +70 °C	
Mechanical data		
Degree of protection	IP65 according to EN 60529	
Protection class	class 1 according to IEC536	
Protection category	3	
Overvoltage category	III	
Connection (power bus)	Insulation-piercing termination	
Connection (load)	Pluggable through pre-assembled cable	
Weight:	700 g	
Dimensions L x W x H	162.0 x 70.5 x 80.0 mm (without cable gland)	
Features		
<ul style="list-style-type: none"> • Protection degree IP65 • Interruption-free connection through insulation-piercing termination on the power bus • Electronic cover, easy to service and exchangeable • Function and status indication for bus, inputs and outputs • Addressing terminal • Relay output, single-phase up to 2 A • Pre-assembled consumer line with connector as required (solenoids, valves, etc.) 	Fixation Installation position any; preferably horizontal wall mount	
Programming instructions		
See the podis manual		
Data bit (function through AS-Interface)	Input	Output
D0	IN0	–
D1	IN1	–
D2	–	OUT2
D3	IN3	–
Parameter bit (programmable through AS-i)	Input	Output
P0	not used	
P1	not used	
P2	not used	
P3	not used	

AS-i interface for remote installation

podis®



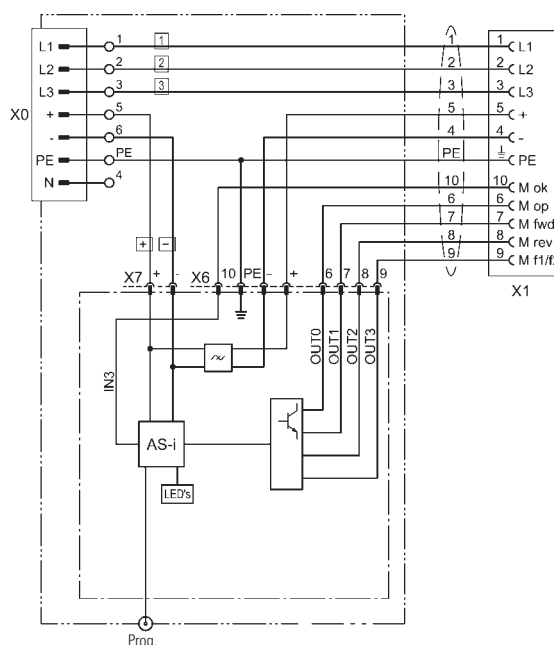
AS-i interface **podis**_{MOT} FAIC - / 1140; AS-i bus signal from the **podis** flat cable

Ordering data

AS-i control with power supply for drives with integrated frequency converter or starter and binary interface, AS-i bus signal from the **podis** flat cable, pre-assembled with cable **Ölflex Classic** 11 x 1.5 mm² and **revos**_{BASIC}

Description	Type	Part No.	Std. Pack
podis _{MOT}	FAIC - / 1140 0.5 m	83.219.0501.2	
podis _{MOT}	FAIC - / 1140 1.0 m	83.219.1001.2	1
podis _{MOT}	FAIC - / 1140 1.5 m	83.219.1501.2	1
podis _{MOT}	FAIC - / 1140 2.0 m	83.219.2001.2	1
podis _{MOT}	FAIC - / 1140 2.5 m	83.219.2501.2	1
podis _{MOT}	FAIC - / 1140 3.0 m	83.219.3001.2	1

Wiring diagram / connection



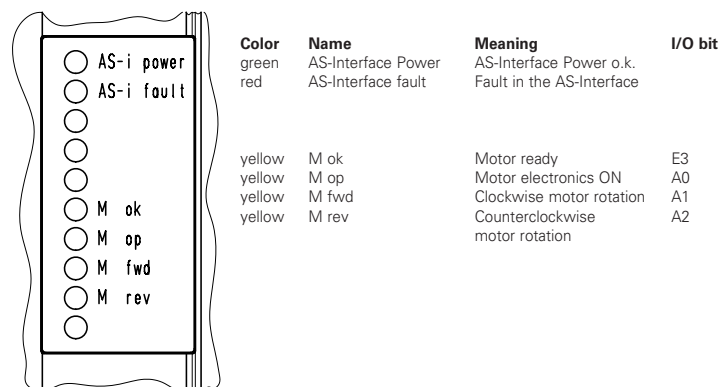
Other cable lengths and designs such as with switch disconnecter available on request



Accessories / spare parts

Description	Type	Part No.	Std. Pack
Electronic module	MOT A C - / 1140	83.209.2105.2	5
Spare cable	Motor connection cable	available on request	1
AS-i adapter	AS-i adapter M12	83.209.2201.0	5
AS-i tap line	AS-i tap line 0.3 m	83.209.2203.0	5
AS-i handheld	AS-i PPG 1	83.209.2204.0	1
Programming cable	AS-i 1.5 m	83.209.2205.0	1

Displays / operating components



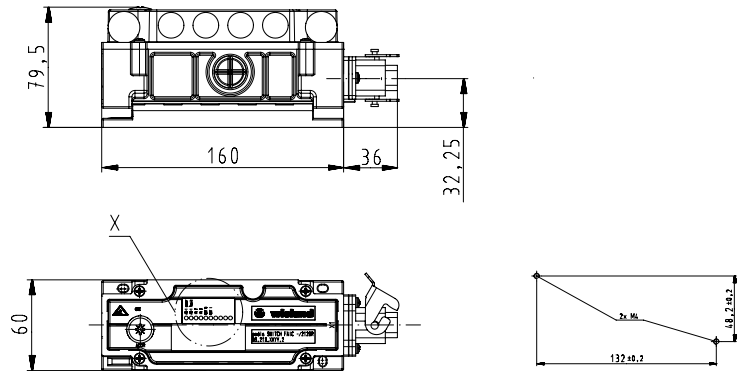
AS-i interface for remote installation

podis

Function	Technical data	
<p>The podis_{MOT} FAIC -/1140 is an AS-i actuator module on the podis power bus used for control and power supply of remote drives with binary interfaces. Through pre-assembled cables, the drives are connected to easy to service revos_{BASIC} connectors at the power bus. In addition to 400 V AC power, the AS-i signal is also carried in the power bus and tapped off through insulation-piercing termination.</p> <p>For pre-addressing purposes, the module can be connected with the AS-i programming cable (83.209.2205.0) directly to the AS-i handheld programming device (83.209.2204.0).</p> <p>An LED is available in the module cover for each channel that indicates the current switching state and the status of the inputs.</p>	General data	
	Slave type	Slave type
	AS-Interface specification	V2.11, single slave, ID AF FE, 1E/4A
	Number of addressable slaves	31
	Connection technology	AS-i from the podis flat cable
	Addressing option	DC fem. connect. 1.3 mm
	Displays / operating components	
	LED AS-i power	AS-i voltage okay; LED green
	LED AS-i fault	Fault in the AS-Interface; LED red
	LED IN0, IN1, IN2	Inputs IN0; IN1; IN2 through M12; LED yellow
	LED 6 to 10	Status indication for the drive; LED yellow
	Electrical data	
	Rated operating voltage U_N	230/400 V AC
	Rated operating current I_N	16 A
	Rated operating voltage U_e	24 V DC +/- 20 % (19.2 V – 28.8 V)
	Rated operating current I_e	max. 200 mA from AS-Interface
	Input	
	Digital input	1 input as motor feedback through motor cable
	Input current	typ. 5 mA
	Signal level U_{HIGH} / U_{LOW}	+15 V – +31.5 V / -3 V – +5 V
	Signal delay	typ. 1 ms
	Output (control signals)	
	Digital outputs	through pre-assembled motor cable
	Supply	4 electronic outputs, PNP overload and short-circuit proof
	Output current	24 V from AS-i
	Signal delay	max. 180 mA
	Output (load circuit)	
	Rated output voltage	through pre-assembled motor cable
	Rated operating current	230/400 V AC
	Ambient conditions	
	- Ambient temperature	0 °C – +40 °C
	- Storage temperature / transport	-25 °C – +60 °C / -25 °C – +70 °C
Mechanical data		
Degree of protection	IP65 according to EN 60529	
Protection class	class 1 according to IEC536	
Connection (power bus)	Insulation-piercing termination	
Connection (drive)	Pluggable through revos _{BASIC}	
Connection of AS-i and sensors	M12 x 1 round connector	
Weight:	1060 g	
Dimensions L x W x H	162 x 60 x 80 mm (without cable gland)	
Fixation	Mounting plate	
Installation position	any; preferably horizontal wall mount	
Features		
<ul style="list-style-type: none"> Protection degree IP65 Electronic cover, easy to service and pluggable Function display for bus, ext. auxiliary power, inputs and outputs Connection through insulation-piercing termination on the power bus Addressing terminal AS-Interface from the podis flat cable Easy to service pluggable connection of remote drives 	Programming instructions	
	See the podis manual	
	Data bit (function through AS-Interface)	Input Output
	D0	- OUT0
	D1	- OUT1
	D2	- OUT2
	D3	IN3 OUT3
	Parameter bit (programmable through AS-i)	Input Output
	P0	not used
	P1	not used
	P2	not used
	P3	not used

AS-i interface for remote installation

podis®

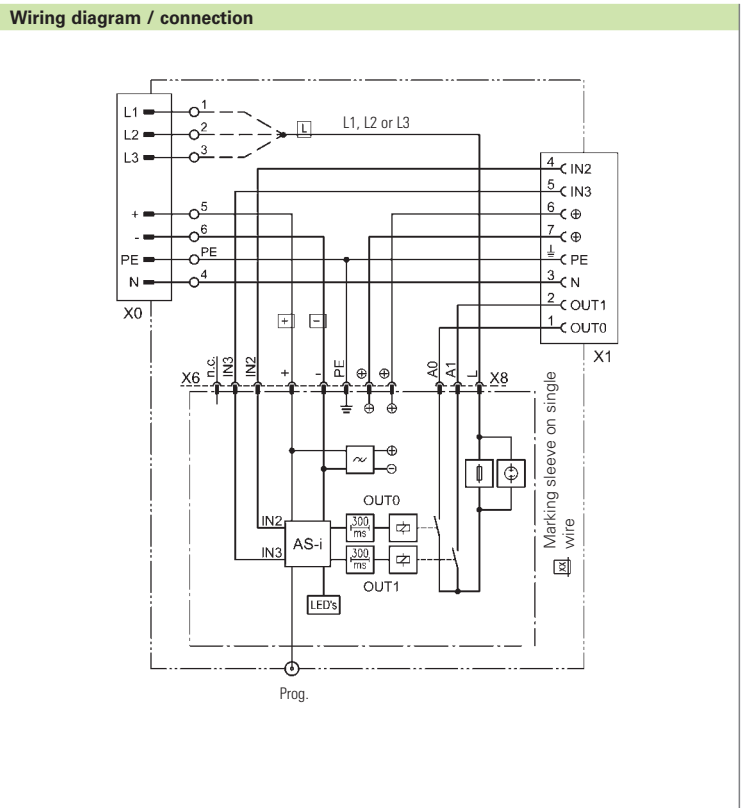


AS-i control podis SWITCH FAIC - /2I2OR; AS-i bus signal from the podis flat cable

Ordering data | Wiring diagram / connection

AS-i control with 2 relay outputs through **revos** MINI connectors, AS-i bus signal from the **podis** flat cable

Description	Type	Part No.	Std. Pack
podis SWITCH	FAIC - /2I2OR	83.213.0004.2	1



Additional designs available on request



Accessories / spare parts

Description	Type	Part No.	Std. Pack
Electronic module	SWITCH AIC - /2I2OR	83.209.2101.2	5
AS-i handheld	AS-i PPG 1	83.209.2204.0	1
Programming cable	AS-i 1.5 m	83.209.2205.0	1

Displays / operating components

Color	Name	Meaning	I/O bit
green	AS-Interface Power	AS-Interface power okay	
red	AS-Interface fault	Fault in the AS-Interface	
yellow	IN2	Input through X1	E2
yellow	IN3	Input through X1	E3
yellow	OUT0	Output through X1	A0
yellow	OUT1	Output through X1	A1

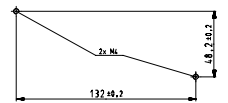
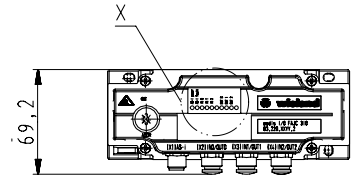
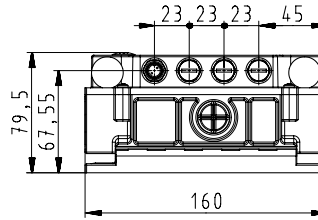
AS-i interface for remote installation

podis

Function	Technical data		
<p>The podis SWITCH FA C -/2I2OR is an AS-i actuator module on the podis power bus with two relay outputs for control of single-phase loads. Two inputs are available for feedback purposes. The field devices are connected through the 8 pole revos MINI connector.</p> <p>The outputs are relay outputs that can be loaded with max. 230 V AC and 2 A.</p> <p>For pre-addressing purposes, the module can be connected with the AS-i programming cable (83.209.2205.0) directly to the AS-i handheld programming device (83.209.2204.0).</p> <p>An LED is available in the module cover for each channel that indicates the current switching state and the status of the inputs.</p> <p>In the podis CON flat cable, the AS-i bus signal is carried along with the 400 V AC power, and tapped off through insulation-piercing termination.</p> <p>The connection module is used to supply the AS-i actuator module and also serves for power supply to the field devices.</p> <p>The relays are applied on L1 on delivery.</p>	General data		
	Slave type		A/B slave
	AS-Interface specification		V2.11, ID BA7E, 2E/2A
	Number of addressable slaves		62
	Connection technology		AS-i Bussignal bus signal from the podis flat cable
	Addressing option		DC fem. connect.1.3 mm
	Displays / operating components		
	LED AS-i power		AS-i voltage okay; LED green
	LED AS-i fault		Fault in the AS-Interface; LED red
	LED IN2; IN3		Inputs IN2; IN3 through revos MINI; LED yellow
	LED OUT0; OUT1		Status indicators for relay outputs OUT0; OUT1 through revos MINI; LED yellow
	Electrical data		
	Rated operating voltage U_N		230 V AC
	Network frequency, input f_N		50 Hz +/- 10 % (45 Hz - 55 Hz)
	Min. AS-i voltage U_{AS-i}		min. 26.5 V
	Rated operating current I_e		max. 200 mA from the AS-Interface
	Input		
	Digital inputs (supplied through the AS-Interface)		2 inputs IN2; IN3 through revos MINI (supplied through the AS-Interface)
	Input current		typ. 5 mA
	Signal level U_{HIGH}/U_{LOW}		+15 V - +31.5 V / -3 V - +5 V
	Signal delay		typ. 1 ms
	Output		
	Relay output		2 relay outputs through revos MINI
	Protection		Fuse 5x20; 2 A (slow blow)
	Supply		230 V AC from the power bus
	Output current		max. 1 A per relay
	Switching capacity AC15/AC1 (230 V AC)		300 VA / 1500 VA
	Power ON delay		typ. 300 ms
	Simultaneity		100 %
	Ambient conditions		
- Ambient temperature		0 °C - +40 °C	
- Storage temperature / transport		-25 °C - +60 °C / -25 °C - +70 °C	
Mechanical data			
Degree of protection		IP65 according to EN 60529	
Protection class		class 1 according to IEC536	
Protection category		3	
Overvoltage category		III	
Connection (power bus)		Insulation-piercing termination	
Connection (load)		Pluggable through revos MINI	
Weight:		484 g	
Dimensions L x W x H		194 x 60.0 x 79.5 mm (with revos MINI)	
Features			
<ul style="list-style-type: none"> Protection degree IP65 Electronic cover, easy to service and pluggable or replaceable Function indicator for bus, inputs and relay outputs Connection through insulation-piercing termination on the power bus Addressing terminal AS-Interface bus signal from the flat cable Outputs supplied through the flat cable Easy to service pluggable connection of single-phase loads (solenoids, valves, etc.) up to max. 2 A 			
Fixation		Mounting plate	
Installation position		any; preferably horizontal wall mount	
Programming instructions		See the podis manual	
Data bit (function through AS-Interface)		Input Output	
D0		- OUT0	
D1		- OUT1	
D2		IN2 -	
D3		IN3 -	
Parameter bit (programmable through AS-i)		Input Output	
P0		not used	
P1		not used	
P2		not used	
P3		not used	

AS-i I/O module for remote installation

podis®



AS-i interface *podis* I/O FAJC 3IO

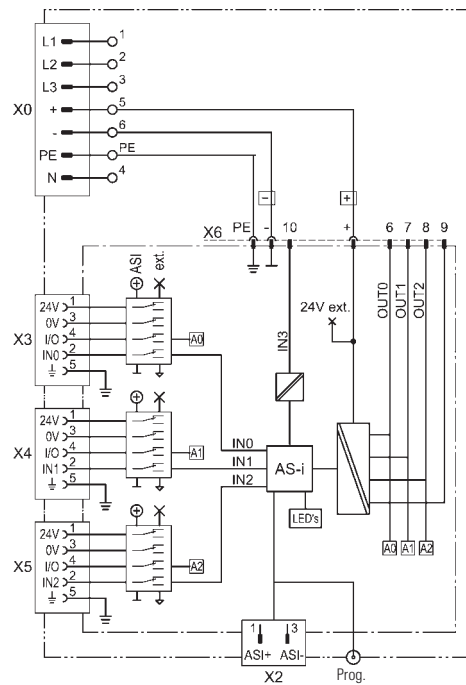
Approvals:

Ordering data

podisELECTRONIC I/O module with 3 inputs/outputs, selectable through internal jumper, with M12 round connector

Description	Type	Part No.	Std. Pack
podis I/O	FAJC 3IO	83.220.0000.2	1

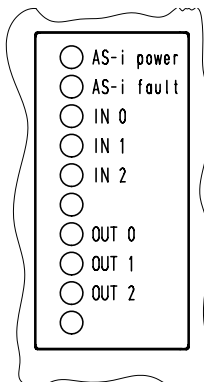
Wiring diagram / connection



Accessories / spare parts

Description	Type	Part No.	Std. Pack
Electronic module	I/O AJC 3IO	83.209.2100.2	5
AS-i adapter	AS-i adapter M12	83.209.2201.0	5
AS-i tap line	AS-i tap line 0.3 m	83.209.2203.0	5
AS-i handheld	AS-i PPG 1	83.209.2204.0	1
Programming cable	AS-i 1.5 m	83.209.2205.0	1

Displays / operating components



Color	Name	Meaning	I/O bit
green	AS-Interface Power	AS-Interface power okay	
red	AS-Interface fault	Fault in the AS-Interface	
yellow	IN0	Input M12	E0
yellow	IN1	Input M12	E1
yellow	IN2	Input M12	E2
yellow	OUT0	Output M12	A0
yellow	OUT1	Output M12	A1
yellow	OUT2	Output M12	A2

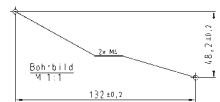
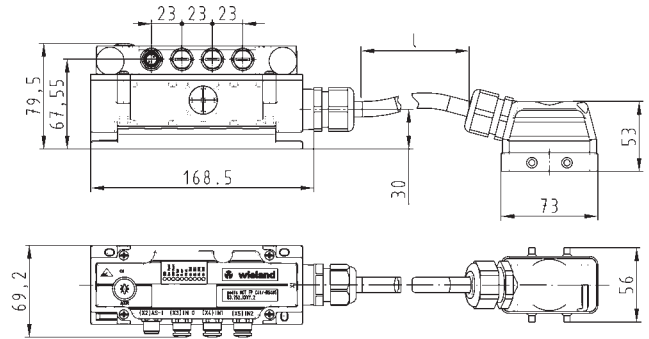
AS-i I/O module for remote installation

podis

Function	Technical data	
<p>The AS-i sensor/actuator module podis_{I/O} FAJC 3IO is a podis_{ELECTRONIC} module on the podis power bus with 3 inputs (PNP), selectable to electronic outputs via jumper. On the inputs, 2-wire as well as 3-wire sensors can be connected through pre-assembled M12 connection cables. The sensors are supplied by the AS-Interface, the actuators by the podis flat cable.</p> <p>For pre-addressing purposes, the module can be connected with the AS-i programming cable (83.209.2205.0) directly to the AS-i handheld programming device (83.209.2204.0).</p> <p>An LED is available in the module cover for each channel that indicates the current switching state and the status of the inputs.</p> <p>The AS-i transmission cable is connected through an M12 connector. If the AS-i flat cable is to be used, the AS-i tap line as well as the AS-i adapter must also be used. Contact to the power bus is made through insulation-piercing termination.</p>	General data	
	Slave type	Standard slave
	AS-Interface specification	V2.11, single slave, ID 7FFE, 4E/4A
	Number of addressable slaves	31
	Addressing option	DC fem. connect. 1.3 mm
	Displays / operating components	
	LED AS-i power	AS-i voltage okay; LED green
	LED AS-i fault	Fault in the AS-Interface; LED red
	LED IN0, IN1, IN2	Inputs E0; E1; E2 through M12; LED yellow
	LED 7 to 9	Outputs A0; A1; A2 through M12; LED yellow
	Electrical data	
	Rated operating voltage U_e	24 V DC +/- 20 % (19.2 V – 28.8 V)
	Rated operating current I_e	max. 200 mA from AS-Interface
	Input	
	Digital inputs (supplied through the AS-Interface)	3 inputs for 2-wire or 3-wire sensors DC through M12
	Supply current	max. 50 mA per initiator
	Input current	typ. 5 mA
	Signal level U_{HIGH}/U_{LOW}	+15 V – +31.5 V / -3 V – +5 V
	Signal delay	typ. 1 ms
	Output	
	Digital outputs	3 electronic outputs, PNP overload and short-circuit proof
	Supply	24 V ext. from power bus
	Output current	max. 500 mA per output
	Signal delay	typ. 1 ms
	Environmental conditions	
	– Ambient temperature	0 °C – +40 °C
	– Storage temperature / transport	-25 °C – +60 °C / -25 °C – +70 °C
Mechanical data		
Degree of protection	IP65 according to EN 60529	
Protection class	class 1 according to IEC536	
Protection category	3	
Connection (power bus)	Insulation-piercing termination	
Connection of AS-i and sensors/actuators	M12x1 round connector	
Weight:	470 g	
Dimensions L x W x H	162.0 x 70.5 x 80.0 mm	
Fixation	Mounting plate	
Installation position	any; preferably horizontal wall mount	
Programming instructions		
	See the podis manual	
Data bit (function through AS-Interface)	Input	Output
D0	IN0	OUT0
D1	IN1	OUT1
D2	IN2	OUT2
D3	not used	
Parameter bit (programmable through AS-i)	Input	Output
P0	not used	
P1	not used	
P2	not used	
P3	not used	
Features		
<ul style="list-style-type: none"> AS-Interface certificate Protection degree IP65 Electronic cover, easy to service and pluggable Function display for bus, ext. auxiliary power, inputs and outputs Addressing terminal Connections through M12 round connectors Outputs supplied through the flat cable Outputs supplied by the AS-i Inputs for 2-wire and 3-wire sensors through M12 Up to 3 inputs or outputs through M12 		

PROFIBUS-DP interface for remote installation

podis®



PROFIBUS-DP interface *podis*^{MOT} FP C 4I/ - RS485 (MOVIMOT®)

Ordering data

PROFIBUS-DP control with power supply for MOVIMOT® from SEW-EURODRIVE according to the MOVILINK® protocol, pre-assembled with hybrid cable 4x2.5 + 2x2x1.0(C) sw and AMA 6 connector interface (SEW)

Description	Type	Part No.	Std. Pack
<i>podis</i> ^{MOT}	FP C 4I/RS485 (MOVIMOT®) 0.5 m	83.252.0506.2	1
<i>podis</i> ^{MOT}	FP C 4I/RS485 (MOVIMOT®) 1.0 m	83.252.1006.2	1
<i>podis</i> ^{MOT}	FP C 4I/RS485 (MOVIMOT®) 1.5 m	83.252.1506.2	1
<i>podis</i> ^{MOT}	FP C 4I/RS485 (MOVIMOT®) 2.0 m	83.252.2006.2	1
<i>podis</i> ^{MOT}	FP C 4I/RS485 (MOVIMOT®) 2.5 m	83.252.2506.2	1
<i>podis</i> ^{MOT}	FP C 4I/RS485 (MOVIMOT®) 3.0 m	83.252.3006.2	1

PROFIBUS-DP control with power supply for MOVIMOT® from SEW-EURODRIVE according to the MOVILINK® protocol, pre-assembled with hybrid cable 4x2.5 + 2x2x1.0(C) sw and *revos*^{FLEX} industrial multipole connector

Description	Type	Part No.	Std. Pack
<i>podis</i> ^{MOT}	FP C 4I/RS485 (MOVIMOT®) 0.5 m	83.252.0507.2	1
<i>podis</i> ^{MOT}	FP C 4I/RS485 (MOVIMOT®) 1.0 m	83.252.1007.2	1
<i>podis</i> ^{MOT}	FP C 4I/RS485 (MOVIMOT®) 1.5 m	83.252.1507.2	1
<i>podis</i> ^{MOT}	FP C 4I/RS485 (MOVIMOT®) 2.0 m	83.252.2007.2	1
<i>podis</i> ^{MOT}	FP C 4I/RS485 (MOVIMOT®) 2.5 m	83.252.2507.2	1
<i>podis</i> ^{MOT}	FP C 4I/RS485 (MOVIMOT®) 3.0 m	83.252.3007.2	1

Other manufacturer-specific protocols, cable lengths and designs such as with switch connector are available on request

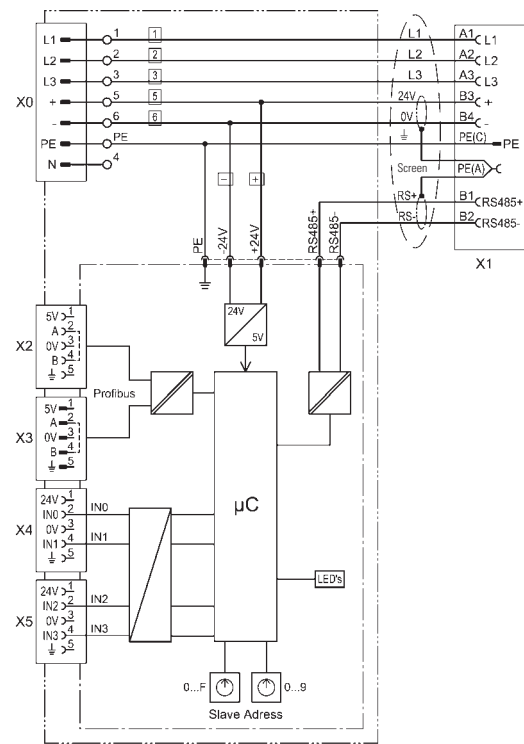


Accessories / spare parts

Description	Type	Part No.	Std. Pack
Electronic module	MOT P C 4I/RS485 (MOVIMOT®)	83.209.2110.2	5
Spare cable	Motor connection cable	available on request	
M12 T-junction	M12/2M12 T-junction		
	A-coded for sensor cable 0.3 m	83.408.0310.0	10

Wiring diagram / connection

Connector assignment X1 valid for 83.252.XX06.2



Displays / operating components

Color	Name	Meaning	I/O bit
green	RUN	Bus operating	
red	BUS Fault	Bus error	
yellow	SYS Fault	No connection to the MOVIMOT	
yellow	M fwd	Motor clockw.dir.	
yellow	M rev	Motor countercl. rot.	
yellow	Fu ok	Motor ready	
yellow	IN 0	Input M12	Bit 1
yellow	IN 1	Input M12	Bit 0
yellow	IN 2	Input M12	Bit 3
yellow	IN 3	Input M12	Bit 2

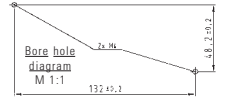
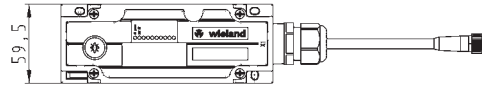
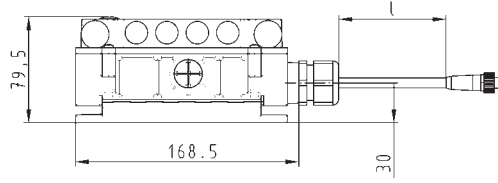
PROFIBUS-DP interface for remote installation

podis

Function	Technical data	
<p>The remote PROFIBUS-DP interface podis^{MOT} FP C makes it possible to connect SEW MOVIMOT® motors to the podis power bus and the PROFIBUS DP. The podis^{MOT} interface modules maximize the efficiency of the connection of the drives to the power network, the control voltage and the fieldbus.</p> <p>podis^{MOT} and MOVIMOT® communicate with one another through the electrically isolated RS485 interface. The MOVILINK® profile from SEW is used as the protocol.</p> <p>Power, control voltage and communication are combined and fed to the drive in a hybrid cable that is pre-assembled with a pluggable connector.</p> <p>Four 2-wire or 3-wire sensors can be connected to the M12 connectors</p> <p>The podis^{ELECTRONIC} module is particularly suitable for use under rough conditions in the field. LEDs are available on top of the module that indicate the current switching states.</p> <p>Additional information can be found in the podis manual.</p>	General data	
	PROFIBUS protocol version	PROFIBUS-DP
	Bus connection technology	2 x M12 (PB-In; PB-Out)
	Bus connection technology	max. 12 MBaud
	Address setting	max. 125 (selectable with rotary switch)
	Displays / operating components	
	LED RUN	Status indication; LED green
	LED Bus fault	Bus error; LED red
	LED 3 bis 6	Status indication for the drive; interface; LED yellow
	LED IN1, IN2, IN3; IN4	Inputs IN1; IN2, IN3; IN4 through M12; LED yellow
	Electrical data	
	Rated operating voltage U_N	230/400 V AC
	Rated operating current I_N	16 A
	Rated operating voltage U_e	24 V DC +/- 20 % (19.2 V – 28.8 V)
	Rated operating current I_e	< 150 mA (electronics supply)
	Input	
	Digital inputs	4 inputs for 2-wire or 3-wire sensors
	Supply current	max. 50 mA per initiator
	Input current	typ. 5 mA
	Signal level U_{HIGH}/U_{LOW}	+15 V – +31.5 V / -3 V – +5 V
	Initiator cable length	max. 5 m
	Output (control signals)	
	Serial interface	through pre-assembled hybrid cable RS485 (MOVILINK® protocol from SEW)
	Output (load circuit)	
	Rated output voltage	400 V AC
	Rated operating current	16 A
	Ambient conditions	
– Ambient temperature	0 °C – +40 °C	
– Storage temperature / transport	-25 °C – +60 °C / -25 °C – +70 °C	
Mechanical data		
Degree of protection	IP65 according to EN 60529	
Protection class	class 1 according to IEC536	
Protection category	3	
Connection (power bus)	Insulation-piercing termination	
Connection (drive)	Pluggable through revos ^{BASIC} (ASAx)	
Connection of PROFIBUS DP and sensors	M12 x 1 round connector	
Weight:	1060 g	
Dimensions L x W x H	162.0 x 70.5 x 80.0 mm (without cable gland)	
Fixation	Mounting plate	
Installation position	any; preferably horizontal wall mount	
Programming instructions		
See the podis manual		
Features		
<ul style="list-style-type: none"> • Protection degree IP65 • Electronic cover, easy to service and pluggable • Function display for bus, ext. auxiliary voltage, drive status indication, input status • Connection through insulation-piercing termination on the power bus • Addressing terminal • Four inputs for 2-wire and 3-wire sensors through 2 x M12 • Easy to service pluggable connection of the SEW MOVIMOT® through a pre-assembled hybrid cable and a defined connector interface (to be considered when ordering the drive!) • PROFIBUS-DP address setting through 2 addressing switches 		

Switch-mode power supply units for remote installation

podis®



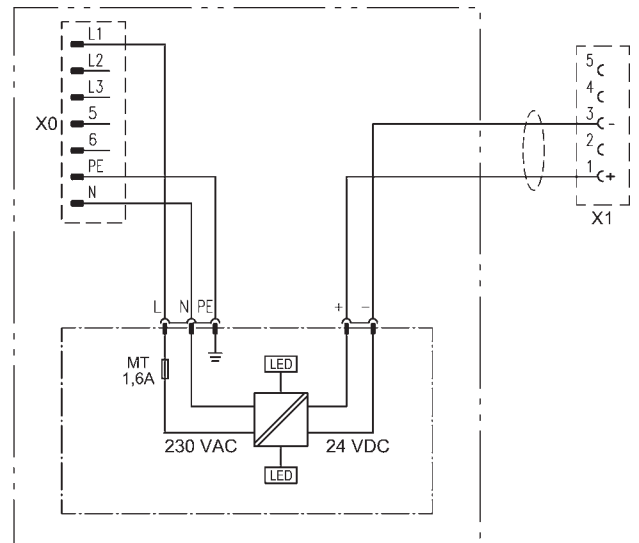
Switch-mode power supply unit PS 24 V/0.8 A

Ordering data

Remote switch-mode power supply unit, single-phase, 24 V/0.8 A pre-assembled

Description	Type	Part No.	Std. Pack
Power supply unit 24 V	podis PS 24 V/0.8 A 1.0 m	83.251.1099.2	1

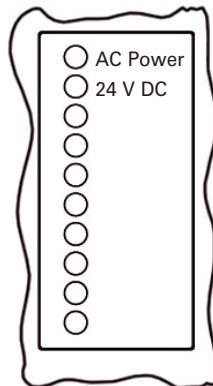
Wiring diagram / connection



Accessories / spare parts

Description	Type	Part No.	Std. Pack
Electronic module	PS 24 V/0.8 A	83.209.2108.2	5
Spare cable		available on request	1

Displays / operating components



Color	Name	Meaning
green	AC Power	230 V supply available
green	24 V DC	24 V DC available

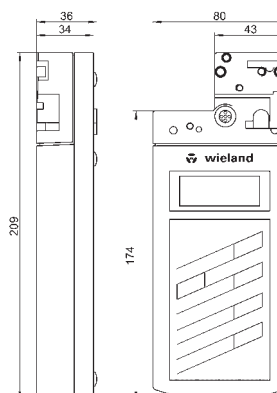
Switch-mode power supply units for remote installation

podis

Function	Technical data	
<p>In wide-area networks the distance between the control cabinet and the modules in the field can be quite large. With the podis power supply unit, the 24 V auxiliary voltage is generated remotely near the field device. With an initial current of 0.8 A, several remote field devices can be supplied with auxiliary voltage. The power supply unit is fed by the podis power bus.</p> <p>The SELF output circuit is electronically protected against overload and long-term short circuit.</p> <p>Through an M12 connector, the auxiliary voltage is simply connected to the remote field devices.</p> <p>The remote podis power supply unit is designed in a housing with protection degree IP65 suitable for use in the field.</p> <p>LEDs are available on top of the module that indicate the current states.</p>	General data	
	Type	24 V DC power supply unit
	Displays / operating components	
	LED AC Power	Input voltage available; LED green
	LED 24V DC	Indicator light 24 V DC; LED green
	Electrical data	
	Rated operating voltage U_N	230 V AC
	Input voltage range	65 – 264V AC
	Rated operating current I_N	200 mA
	Network frequency, input f_N	47Hz – 63Hz
	Protection	Fine fuse 5 x 20 mm
	Output	
	Output voltage U_A	24 V DC +/- 3%
	Output current I_A	0.8 A
	Power output	19.2 W
	Current limitation	1.0 A
	Mains buffering	100 ms at 230 V
	Residual ripple	<100 mV AC (SS)
	Network control	90 – 264 V AC
	Load control	0 – 0.8 A DC
	Environmental conditions	
	- Environmental conditions	Industrial atmosphere
	- Ambient temperature	0°C – +40°C
	- Storage temperature / transport	-25 °C – +60 °C / -25 °C – +70 °C
	Mechanical data	
	Degree of protection	IP65 according to EN 60529
	Protection class	Class II
Protection category	3	
Connection (power bus)	Insulation-piercing termination	
Connection (load output)	Pluggable through M12 round connectors	
Weight:	490 g	
Dimensions L x W x H	162.0 x 60 x 80.0 mm (without cable gland)	
Fixation	Mounting plate	
Installation position	any; preferably horizontal wall mount	
Features		
<ul style="list-style-type: none"> Remote generation of 24 V auxiliary voltage Up to 0.8 A load current Protection degree IP65 LEDs for input and output voltage indication Electronic cover, easy to service and pluggable Housing floor used for connection to the podis power bus through insulation-piercing termination 		

System components and accessories

podis®



AS-i handheld programming device PPG 1

Ordering data				Displays / operating components	
<p>Device for addressing AS interface sensors, actuators and round cable modules. Mechanical contacting is performed through the M12 connector. AS-i modules are connected to the addressing device with the programming cable AS-i Prog 1.5 m. This addressing device can be used to address all customary AS-i modules (including devices of the V2.1 profile).</p>					
Description	Type	Part No.	Std. Pack		
AS-i handheld	AS-i PPG1	83.209.2204.0	1		
Accessories					
AS-i programming cable	AS-i Prog 1.5 m	83.209.2205.0	1		
Operation				Function	
<p>The device is switched on by pressing the "ADR" key. It will switch off automatically after approx. one minute if no action is taken.</p> <ul style="list-style-type: none"> When the "ADR" key is pressed the current slave address appears on the display. With the keys "↑" and "↓" the address that is to be programmed can be called up from the address ring (i. e. 31B, 0 – 31, 0 – 31A, 0 – 31B, 0.1). Pressing the keys briefly enables browsing of the pages one after the other. Pressing the keys longer causes continuous scrolling (0.5 s per address). When the "PRG" key is pressed the new address is loaded into the slave. The address is programmed correctly and displayed automatically after approx. 0.5 s. If the keys "ADR" and "PRG" are pressed longer simultaneously, address 0 will be programmed automatically into the slave. Other key combinations do not trigger an action. By pressing the "MODE" key, the operating modes are switched over: addressing mode; read the ID code; read the IO code; display/write parameters; read/write data; display the peripheral fault flag. 				<p>The AS-i PPG1 is a compact device for addressing AS-Interface slaves (sensors, actuators and interface modules). Mechanical connection is performed with the universal connection adapter and the AS-i programming cable AS-i Prog.</p> <p>With the programming device all podisELECTRONIC interface modules with AS-Interface slave can be addressed.</p> <p>Display: The LCD display shows the address, the mode or an error code.</p> <p>Error messages: F1: AS-Interface overload F2: Slave not found F3: Programming error F4: Target address in use F5: Address 0 in use F6: Standard slave found instead of advanced slave F7: Advanced slave found instead of standard slave F8: Reception error LOBAT= Charge battery !</p>	



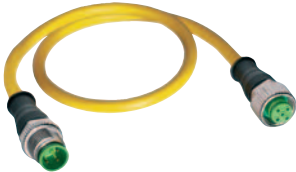

System components and accessories

podis

Features	Technical data	
<ul style="list-style-type: none"> • Determination of the slave address • Assign and check a new address • The slave connection is short-circuit and overload proof • Addressing or programming of a maximum of 62 slaves (A/B slaves) • Operation on the bus possible • Mode key for switching between the various operation modes 	General data	
	Operating mode	Pluggable charger 230 V AC, included with module
	Interface	
	Interface type	AS-i, short-circuit and overload proof
	Displays / operating components	
	Display	LCD display
	Keyboard	Sealed keypad, 5 keys
	Electrical data	
	Operating time	8 h or > 250 read/write operations with fully charged battery
	Power supply	Battery operation; only use the delivered charger for charging the device (charging time approx. 14 h)
	Ambient conditions	
	- Ambient temperature	-0 °C – 40 °C
	- Storage temperature	-20 °C – 40 °C
	Mechanical data	
	Degree of protection	IP20 according to EN 60529
	Weight	approx. 275 g

System components and accessories

podis®

	Description	Type	Part No.	Std. Pack
	Programming cable AS-i 1.5 m	AS-i Prog. 1.5 m	83.209.2205.0	1
	Connection cable module/handheld programming device Connection: M12 for programming device and connector for the addressing terminal on the podis AS-Interface module			
	AS-i tap-off M12	AS-i ABGRIFF M12	83.209.2201.0	5
	Description for use as tap-off distributor or connector; re-usable insulation-piercing technology according to IEC 68 and DIN 41611.			
	Connection cable AS-i M12	AS-i Sticheitung	83.209.2203.0	5
	Description pre-assembled connection cable AS-i Length 0.3 meters with 2xM12 (female, male)			
	PROFIBUS DP connector with terminating resistor M12	DP ABSCH M12	08.000.0230.0	1

M12 connection cables

podis

Halogen-free and flame-retardant M12 connection cables for normal applications with self-securing screw cap/coupling, cable material PUR, protection degree IP67, -25 to 80 °C ambient temperature

	Description	Type	Part No.	Std. Pack
	M12 T-junction; A-coded			
	Angled male connector on 2 x angled female connectors; 4 pole; for sensor cables			
	Cable length			
	0.3 m	RVS SW12 BT12 03	83.408.0310.0	10
	M12 connection cable; A-coded			
	M12 angled male connector on free end; 4 pole; for sensor cables			
	Cable length			
	0.5 m	RVS SW12 – 05	83.407.0510.0	10
	1.0 m	RVS SW12 – 10	83.407.1010.0	10
	2.0 m	RVS SW12 – 20	83.407.2010.0	10
	3.0 m	RVS SW12 – 30	83.407.3010.0	10
	5.0 m	RVS SW12 – 50	83.407.5010.0	10
	7.0 m	RVS SW12 – 70	83.407.7010.0	10
	10.0 m	RVS SW12 – 100	83.407.9910.0	10
	M12 connection cable; A-coded			
	M12 angled male connector on M12 straight female connector, 4 pole; for sensor cables			
	Cable length			
	0.5 m	RVS SW12 BG12 05	83.401.0510.0	10
	1.0 m	RVS SW12 BG12 10	83.401.1010.0	10
	2.0 m	RVS SW12 BG12 20	83.401.2010.0	10
	3.0 m	RVS SW12 BG12 30	83.401.3010.0	10
	5.0 m	RVS SW12 BG12 50	83.401.5010.0	10
	7.0 m	RVS SW12 BG12 70	83.401.7010.0	10
	10.0 m	RVS SW12 BG12 100	83.401.9910.0	10
	M12 connection cable; B-coded, shielded for PROFIBUS DP; angled male connector on angled female connector			
	Cable length			
	0.6 m	RVDP SW12 BW12 06	83.403.0611.9	10
	1.0 m	RVDP SW12 BW12 10	83.403.1011.9	10
	1.5 m	RVDP SW12 BW12 15	83.403.1511.9	10
	2.0 m	RVDP SW12 BW12 20	83.403.2011.9	10
	3.0 m	RVDP SW12 BW12 30	83.403.3011.9	10
	5.0 m	RVDP SW12 BW12 50	83.403.5011.9	10
	7.0 m	RVDP SW12 BW12 70	83.403.7011.9	10
	10.0 m	RVDP SW12 BW12 100	83.403.9911.9	10